

# Synchronous Dual Mode Phase Modulated Full Bridge Controllers

## FEATURES

- Adaptive or Manual Delay Control for Zero Voltage Switching Operation
- Adjustable Synchronous Rectification Timing for Highest Efficiency
- Adjustable Maximum ZVS Delay
- Adjustable System Undervoltage Lockout Hysteresis
- Programmable Leading Edge Blanking
- Very Low Start-Up and Quiescent Currents
- Current Mode (LTC3722-1) or Voltage Mode (LTC3722-2) Operation
- Programmable Slope Compensation
- V<sub>CC</sub> UVLO and 25mA Shunt Regulator
- 50mA Output Drivers
- Soft-Start, Cycle-by-Cycle Current Limiting and Hiccup Mode Short-Circuit Protection
- 5V, 15mA Low Dropout Regulator
- 24-Pin Surface Mount GN Package

## APPLICATIONS

- Telecommunications, Infrastructure Power Systems
- Distributed Power Architectures
- Server Power Supplies

## DESCRIPTION

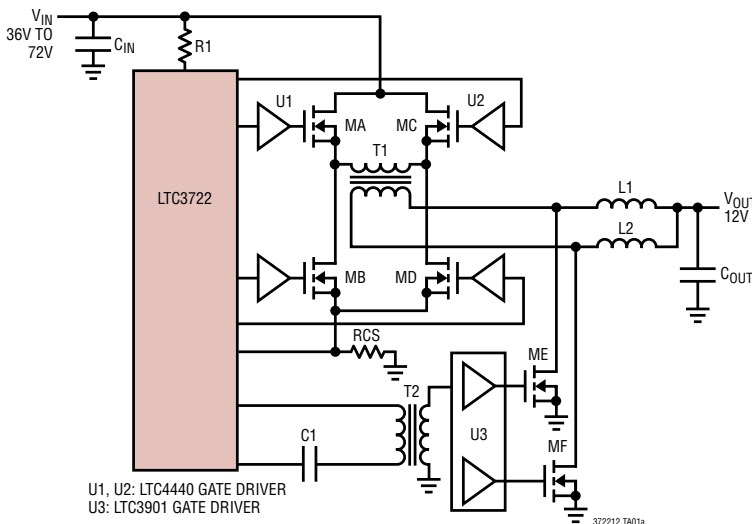
The LTC<sup>®</sup>3722-1/LTC3722-2 phase-shift PWM controllers provide all of the control and protection functions necessary to implement a high efficiency, zero voltage switched (ZVS), full bridge power converter. Adaptive ZVS circuitry delays the turn-on signals for each MOSFET independent of internal and external component tolerances. Manual delay set mode enables secondary side control operation or direct control of switch turn-on delays.

The LTC3722-1/LTC3722-2 feature adjustable synchronous rectifier timing for optimal efficiency. A UVLO program input provides accurate system turn-on and turn-off voltages. The LTC3722-1 features peak current mode control with programmable slope compensation and leading edge blanking, while the LTC3722-2 employs voltage mode control.

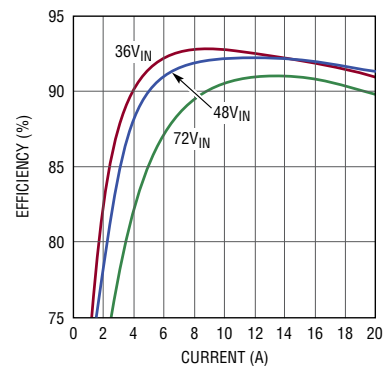
The LTC3722-1/LTC3722-2 feature extremely low operating and start-up currents. Both devices include a full range of protection features and are available in the 24-pin surface mount GN package.

All registered trademarks and trademarks are the property of their respective owners.

## TYPICAL APPLICATION



12V<sub>OUT</sub>, 240W Converter Efficiency

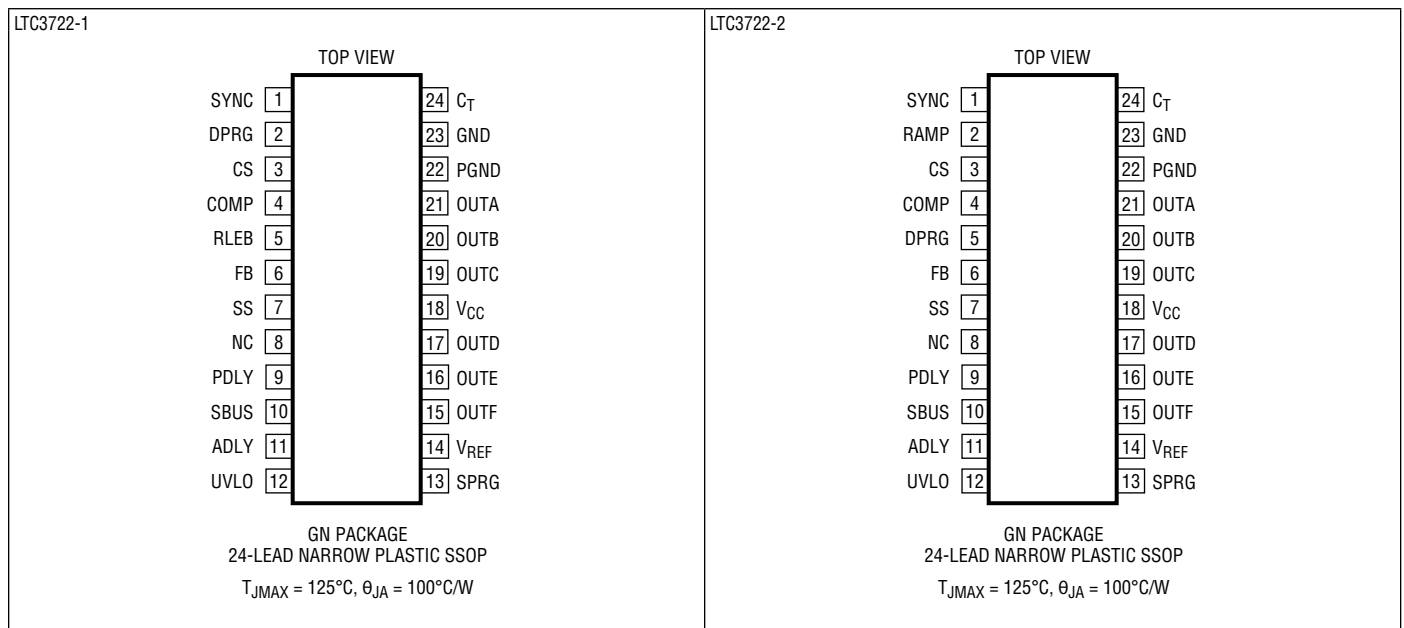


# LTC3722-1/LTC3722-2

## ABSOLUTE MAXIMUM RATINGS (Note 1)

$V_{CC}$ to GND (Low Impedance Source).....	-0.3V to 10V	$V_{REF}$ Output Current.....	Self Regulated
(Chip Self Regulates at 10.3V)		Outputs (A, B, C, D, E, F) Current.....	$\pm 100\text{mA}$
UVLO to GND .....	-0.3V to $V_{CC}$	Operating Junction Temperature Range	
All Other Pins to GND		(Note 6).....	-40°C to 150°C
(Low Impedance Source) .....	-0.3V to 5.5V	Storage Temperature Range .....	-65°C to 150°C
$V_{CC}$ (Current Fed) .....	25mA	Lead Temperature (Soldering, 10 sec).....	300°C

## PIN CONFIGURATION



## ORDER INFORMATION

LEAD FREE FINISH	TAPE AND REEL	PART MARKING	PACKAGE DESCRIPTION	TEMPERATURE RANGE
LTC3722EGN-1#PBF	LTC3722EGN-1#TRPBF	LTC3722EGN-1	24-Lead Plastic SSOP	-40°C to 85°C
LTC3722EGN-2#PBF	LTC3722EGN-2#TRPBF	LTC3722EGN-2	24-Lead Plastic SSOP	-40°C to 85°C
LTC3722IGN-1#PBF	LTC3722IGN-1#TRPBF	LTC3722IGN-1	24-Lead Plastic SSOP	-40°C to 85°C
LTC3722IGN-2#PBF	LTC3722IGN-2#TRPBF	LTC3722IGN-2	24-Lead Plastic SSOP	-40°C to 85°C
LTC3722HGN-1#PBF	LTC3722HGN-1#TRPBF	LTC3722HGN-1	24-Lead Plastic SSOP	-40°C to 150°C

Consult ADI Marketing for parts specified with wider operating temperature ranges.

[Tape and reel specifications](#). Some packages are available in 500 unit reels through designated sales channels with #TRMPBF suffix.

**ELECTRICAL CHARACTERISTICS** The ● denotes the specifications which apply over the specified operating junction temperature range, otherwise specifications are at  $T_A = 25^\circ\text{C}$ .  $V_{CC} = 9.5\text{V}$ ,  $C_T = 270\text{pF}$ ,  $R_{DPRG} = 60.4\text{k}$ ,  $R_{SPRG} = 100\text{k}$ , unless otherwise noted (Note 6).

SYMBOL	PARAMETER	CONDITIONS	MIN	TYP	MAX	UNITS	
<b>Input Supply</b>							
$V_{CCUV}$	$V_{CC}$ Under Voltage Lockout	Measured on $V_{CC}$		10.25	10.5	V	
$V_{CCHY}$	$V_{CC}$ UVLO Hysteresis	Measured on $V_{CC}$	3.8	4.2		V	
$I_{CCST}$	Start-Up Current	$V_{CC} = V_{UVLO} - 0.3\text{V}$ LTC3722E-1/LTC3722I-1/LTC3722E-2/LTC3722I-2 LTC3722H-1	● ●	145 145	230 250	$\mu\text{A}$ $\mu\text{A}$	
$I_{CCRN}$	Operating Current	No Load on Outputs		5	8	mA	
$V_{SHUNT}$	Shunt Regulator Voltage	Current into $V_{CC} = 10\text{mA}$		10.3	10.8	V	
$R_{SHUNT}$	Shunt Resistance	Current into $V_{CC} = 10\text{mA}$ to $17\text{mA}$		1.1	3.5	$\Omega$	
$S_{UVLO}$	System UVLO Threshold	Measured on UVLO Pin, $10\text{mA}$ into $V_{CC}$		4.8	5.2	V	
$S_{HYST}$	System UVLO Hysteresis Current	Current Flows Out of UVLO Pin		8.5	11.5	$\mu\text{A}$	
<b>Delay Blocks</b>							
$D_{THR}$	Delay Pin Threshold ADLY and PDLY	SBUS = 1.5V SBUS = 2.25V	● ●	1.4 2.1	1.5 2.25	1.6 2.4	V V
$D_{HYS}$	Delay Hysteresis Current ADLY and PDLY	SBUS = 1.5V, ADLY/PDLY = 1.7V			1.3	mA	
$D_{TMO}$	Delay Timeout	$R_{DPRG} = 60.4\text{K}$			100	ns	
$D_{FXT}$	Fixed Delay Threshold	Measured on SBUS			4	V	
$D_{FTM}$	Fixed Delay Time	SBUS = $V_{REF}$ , ADLY, PDLY = 1V			70	ns	
<b>Phase Modulator</b>							
$I_{CS}$	CS Discharge Current	CS = 1V, COMP = 0V, $C_T = 4\text{V}$ , LTC3722-1 Only			50	mA	
$I_{SLP}$	Slope Compensation Current	Measured on CS, $C_T = 1\text{V}$ $C_T = 2.25\text{V}$			30 68	$\mu\text{A}$ $\mu\text{A}$	
$DC_{MAX}$	Maximum Phase Shift	COMP = 4.5V	●	95	98.5	%	
$DC_{MIN}$	Minimum Phase Shift	COMP = 0V	●		0	0.5	%
<b>Oscillator</b>							
OSCI	Initial Accuracy	$T_A = 25^\circ\text{C}$ , $C_T = 270\text{pF}$		225	250	275	kHz
OSCT	Total Variation	$V_{CC} = 6.5\text{V}$ to $9.5\text{V}$	●	215	250	285	kHz
OSCV	$C_T$ Ramp Amplitude	Measured on $C_T$			2.5	V	
OSYT	SYNC Threshold	Measured on SYNC		1.6	1.9	2.2	V
OSYW	Minimum SYNC Pulse Width	Measured at Outputs (Note 2)			75	ns	
OSYR	SYNC Frequency Range	Measured at Outputs (Note 2)			1000	kHz	
<b>Error Amplifier</b>							
$V_{FB}$	FB Input Voltage	COMP = 2.5V (Note 4)		1.172	1.204	1.236	V
FBI	FB Input Range	Measured on FB (Note 5)		-0.3		2.5	V
$A_{VOL}$	Open-Loop Gain	COMP = 1V to 3V (Note 4)		70	90		dB
IIB	Input Bias Current	COMP = 2.5V (Note 4)			5	20	nA
$V_{OH}$	Output High	Load on COMP = $-100\mu\text{A}$		4.7	4.92		V
$V_{OL}$	Output Low	Load on COMP = $100\mu\text{A}$			0.18	0.4	V
$I_{SOURCE}$	Output Source Current	COMP = 2.5V		400	800		$\mu\text{A}$
$I_{SINK}$	Output Sink Current	COMP = 2.5V		2	5		mA

# LTC3722-1/LTC3722-2

**ELECTRICAL CHARACTERISTICS** The ● denotes the specifications which apply over the specified operating junction temperature range, otherwise specifications are at  $T_A = 25^\circ\text{C}$ .  $V_{CC} = 9.5\text{V}$ ,  $C_T = 270\text{pF}$ ,  $R_{DPRG} = 60.4\text{k}$ ,  $R_{SPRG} = 100\text{k}$ , unless otherwise noted (Note 6).

SYMBOL	PARAMETER	CONDITIONS	MIN	TYP	MAX	UNITS
<b>Reference</b>						
$V_{REF}$	Initial Accuracy	$T_A = 25^\circ\text{C}$ , Measured on $V_{REF}$	4.925	5.00	5.075	V
REFLD	Load Regulation	Load on $V_{REF} = 100\mu\text{A}$ to $5\text{mA}$		2	15	mV
REFLN	Line Regulation	$V_{CC} = 6.5\text{V}$ to $9.5\text{V}$		0.9	10	mV
REFTV	Total Variation	Line, Load	● 4.900	5.000	5.100	V
REFSC	Short-Circuit Current	$V_{REF}$ Shorted to GND	18	30	45	mA
<b>Outputs</b>						
OUTH(x)	Output High Voltage	$I_{OUT(x)} = -50\text{mA}$	7.9	8.4		V
OUTL(x)	Output Low Voltage	$I_{OUT(x)} = 50\text{mA}$		0.6	1	V
$R_{HI(x)}$	Pull-Up Resistance	$I_{OUT(x)} = -50\text{mA}$ to $-10\text{mA}$		22	30	$\Omega$
$R_{LO(x)}$	Pull-Down Resistance	$I_{OUT(x)} = -50\text{mA}$ to $-10\text{mA}$		12	20	$\Omega$
$t_{r(x)}$	Rise Time	$C_{OUT(x)} = 50\text{pF}$ (Note 8)		5	15	ns
$t_{f(x)}$	Fall Time	$C_{OUT(x)} = 50\text{pF}$ (Note 8)		5	15	ns
SDEL	SYNC Driver Turn-Off Delay	$R_{SPRG} = 100\text{k}$		180		ns
<b>Current Limit and Shutdown</b>						
CLPP	Pulse by Pulse Current Limit Threshold	Measured on CS LTC3722E-1/LTC3722I-1/LTC3722E-2/LTC3722I-2 LTC3722H-1	270 270	300 300	330 340	mV mV
CLSD	Shutdown Current Limit Threshold	Measured on CS	0.55	0.65	0.73	V
CLDEL	Current Limit Delay to Output	100mV Overdrive on CS (Notes 3, 7)		80		ns
SSI	Soft-Start Current	$SS = 2.5\text{V}$	7	12	17	$\mu\text{A}$
SSR	Soft-Start Reset Threshold	Measured on SS	0.7	0.4	0.1	V
FLT	Fault Reset Threshold	Measured on SS	4.5	3.9	3.5	V

**Note 1:** Stresses beyond those listed under Absolute Maximum Ratings may cause permanent damage to the device. Exposure to any Absolute Maximum Rating condition for extended periods may affect device reliability and lifetime.

**Note 2:** Sync amplitude =  $5V_{p-p}$ , pulse width = 75ns. Verify output (A-F) frequency = one-half sync frequency.

**Note 3:** Includes leading edge blanking delay,  $R_{LEB} = 20\text{k}$ .

**Note 4:** FB is driven by a servo-loop amplifier to control  $V_{COMP}$  for these tests.

**Note 5:** Set FB to  $-0.3\text{V}$ ,  $2.5\text{V}$  and insure that COMP does not phase invert.

**Note 6:** The LTC3722 is tested under pulsed load condition such that  $T_J \approx T_A$ . The LTC3722E-1/LTC3722E-2 are guaranteed to meet performance specifications from  $0^\circ\text{C}$  to  $85^\circ\text{C}$ . Specifications over the  $-40^\circ\text{C}$  to  $85^\circ\text{C}$  operating junction temperature range are assured by design,

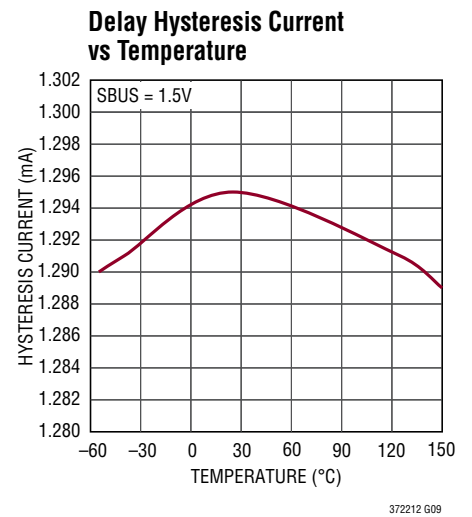
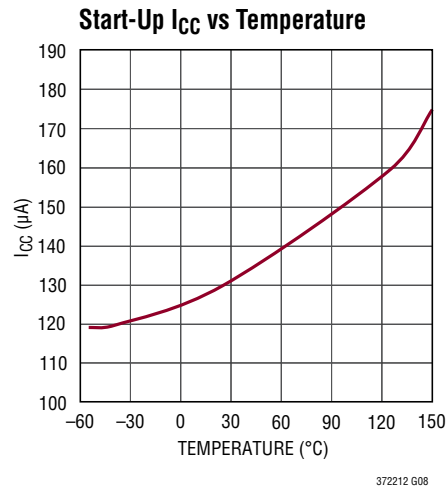
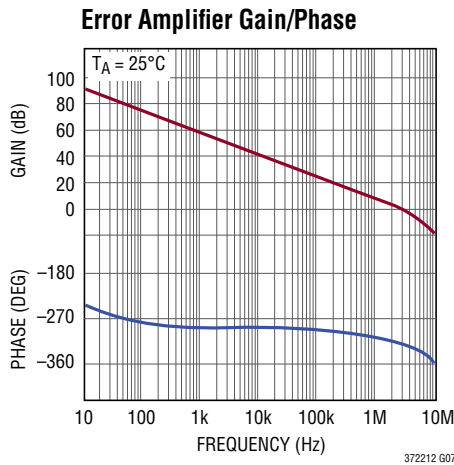
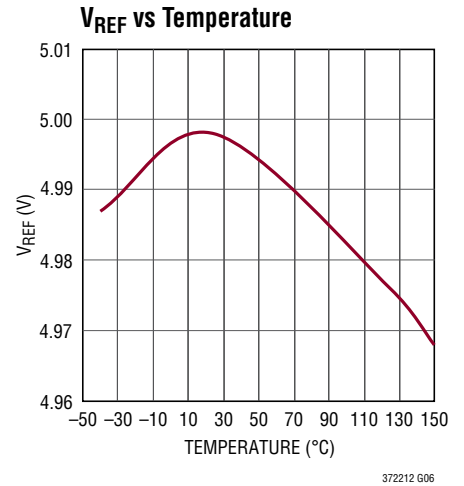
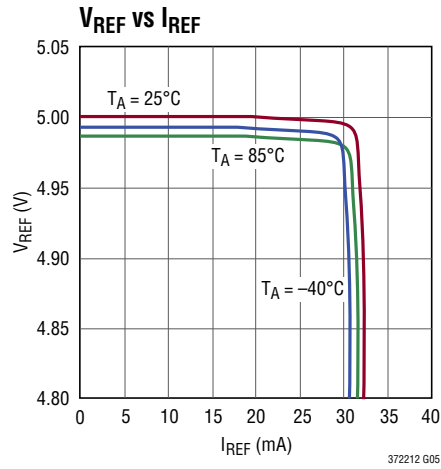
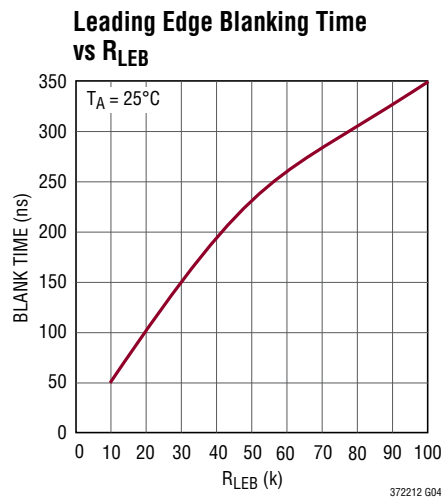
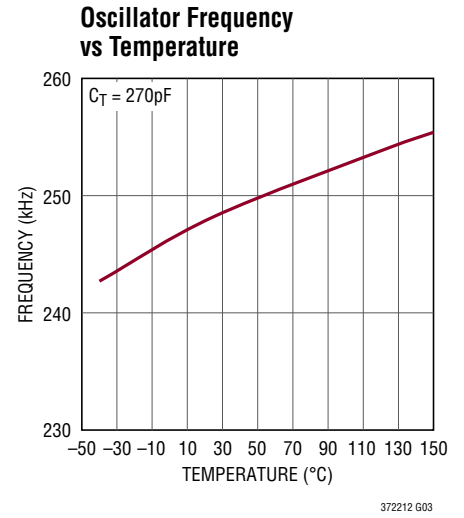
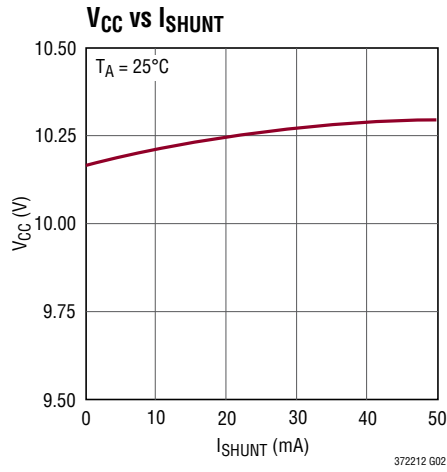
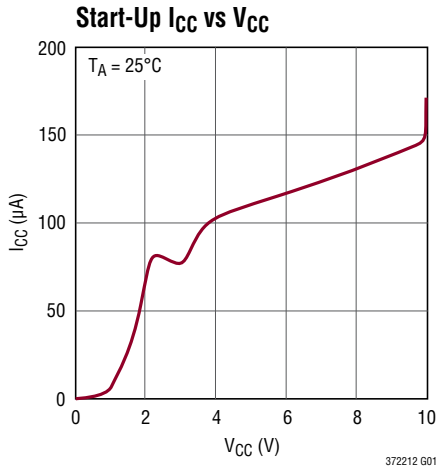
characterization and correlation with statistical process controls. The LTC3722I-1/LTC3722I-2 are guaranteed over the  $-40^\circ\text{C}$  to  $85^\circ\text{C}$  operating junction temperature range and the LTC3722H-1 is guaranteed over the  $-40^\circ\text{C}$  to  $150^\circ\text{C}$  operating junction temperature range.

High junction temperatures degrade operating lifetimes; operating lifetime is derated for junction temperatures greater than  $125^\circ\text{C}$ . Note that the maximum ambient temperature consistent with these specifications is determined by specific operating conditions in conjunction with board layout, the rated package thermal impedance and other environmental factors.

**Note 7:** Guaranteed by design, not tested in production.

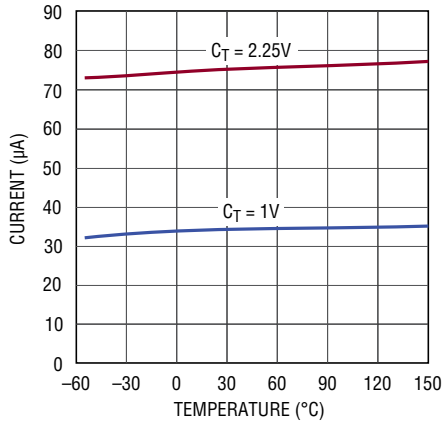
**Note 8:** Rise time is measured from the 10% to 90% points of the rising edge of the driver output signal. Fall time is measured from the 90% to 10% points of the falling edge of the driver output signal.

# TYPICAL PERFORMANCE CHARACTERISTICS

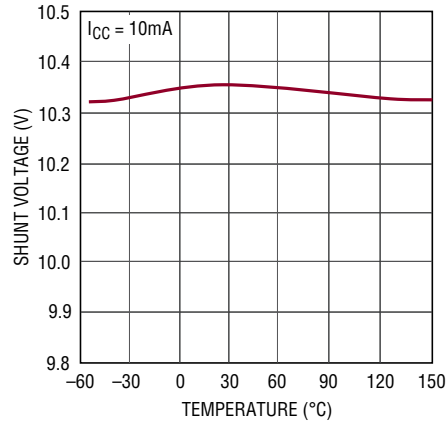


## TYPICAL PERFORMANCE CHARACTERISTICS

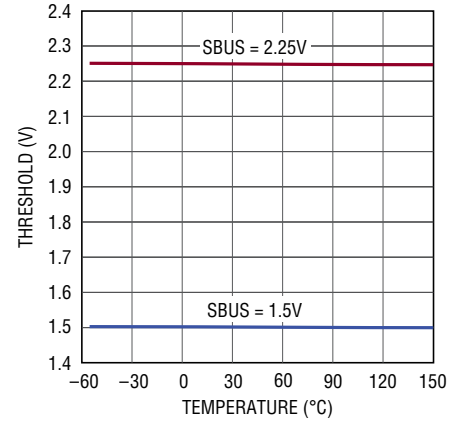
**Slope Current vs Temperature**



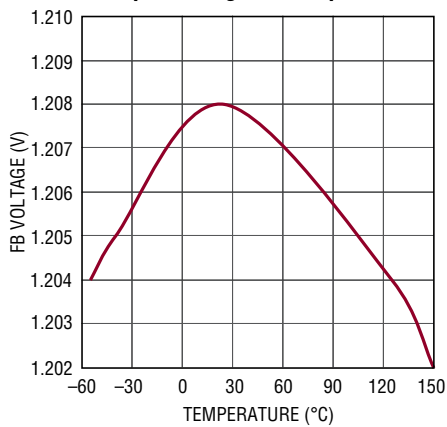
**V<sub>CC</sub> Shunt Voltage vs Temperature**



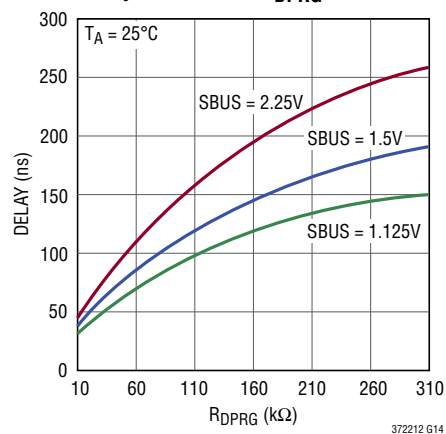
**Delay Pin Threshold vs Temperature**



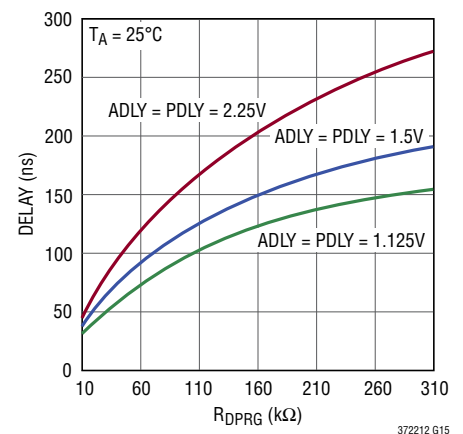
**FB Input Voltage vs Temperature**



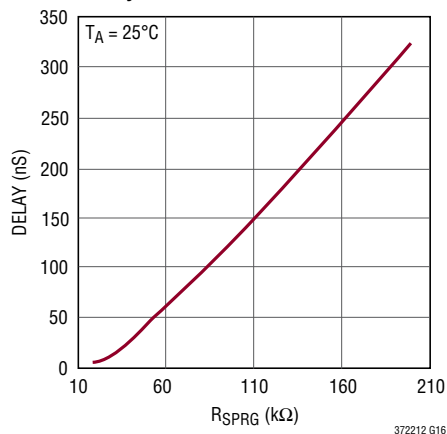
**Delay Timeout vs R<sub>DPRG</sub>**



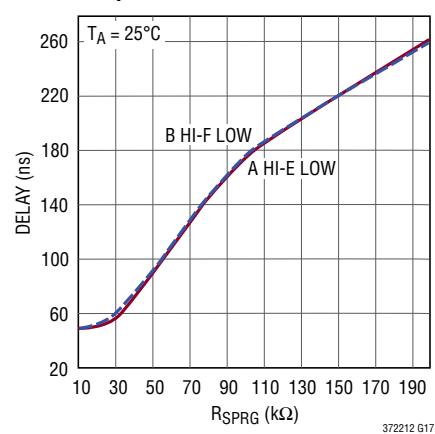
**ZVS Delay in Fixed Mode, SBUS = 5V**



**Synchronous Driver Turn-Off Delay in Fixed Mode**



**Synchronous Driver Turn-Off Delay in Adaptive Mode, SBUS = 1.5V**



## PIN FUNCTIONS (LTC3722-1/LTC3722-2)

**SYNC (Pin 1/Pin 1):** Synchronization Input/Output for the Oscillator. The input threshold for SYNC is approximately 1.9V, making it compatible with both CMOS and TTL logic. Terminate SYNC with a 5.1k resistor to GND.

**DPRG (Pin 2/Pin 5):** Programming Input for Default Zero Voltage Transition (ZVS) Delay. Connect a resistor from DPRG to  $V_{REF}$  to set the maximum turn on delay for outputs A, B, C, D. The nominal voltage on DPRG is 2V.

**RAMP (NA/Pin 2):** Input to Phase Modulator Comparator for LTC3722-2 only. The voltage on RAMP is internally level shifted by 650mV.

**CS (Pin 3/Pin 3):** Input to Phase Modulator for the LTC3722-1. Input to pulse-by-pulse and overload current limit comparators, output of slope compensation circuitry. The pulse by pulse comparator has a nominal 300mV threshold, while the overload comparator has a nominal 650mV threshold.

**COMP (Pin 4/Pin 4):** Error Amplifier Output, Inverting Input to Phase Modulator.

**$R_{LEB}$  (Pin 5/NA):** Timing Resistor for Leading Edge Blanking. Use a 10k to 100k resistor to program from 40ns to 310ns of leading edge blanking of the current sense signal on CS for the LTC3722-1. A  $\pm 1\%$  tolerance resistor is recommended. The LTC3722-2 has a fixed blanking time of approximately 80ns.

**FB (Pin 6/Pin 6):** Error Amplifier Inverting Input. This is the voltage feedback input for the LTC3722. The nominal regulation voltage at FB is 1.204V.

**SS (Pin 7/Pin 7):** Soft-Start/Restart Delay Circuitry Timing Capacitor. A capacitor from SS to GND provides a controlled ramp of the current command (LTC3722-1), or duty cycle (LTC3722-2). During overload conditions SS is discharged to ground initiating a soft-start cycle.

**NC (Pin 8/Pin 8):** No Connection. Tie this pin to GND.

**PDLY (Pin 9/Pin 9):** Passive Leg Delay Circuit Input. PDLY is connected through a voltage divider to the left leg of the bridge in adaptive ZVS mode. In fixed ZVS mode, a voltage between 0V and 2.5V on PDLY, programs a fixed ZVS delay time for the passive leg transition.

**SBUS (Pin 10/Pin 10):** Line Voltage Sense Input. SBUS is connected to the main DC voltage feed by a resistive voltage divider when using adaptive ZVS control. The voltage divider is designed to produce 1.5V on SBUS at nominal  $V_{IN}$ . If SBUS is tied to  $V_{REF}$ , the LTC3722-1/LTC3722-2 is configured for fixed mode ZVS control.

**ADLY (Pin 11/Pin 11):** Active Leg Delay Circuit Input. ADLY is connected through a voltage divider to the right leg of the bridge in adaptive ZVS mode. In fixed ZVS mode, a voltage between 0V and 2.5V on ADLY, programs a fixed ZVS delay time for the active leg transition.

**UVLO (Pin 12/Pin 12):** Input to Program System Turn-On and Turn-Off Voltages. The nominal threshold of the UVLO comparator is 5V. UVLO is connected to the main DC system feed through a resistor divider. When the UVLO threshold is exceeded, the LTC3722-1/LTC3722-2 commences a soft-start cycle and a 10 $\mu$ A (nominal) current is fed out of UVLO to program the desired amount of system hysteresis. The hysteresis level can be adjusted by changing the resistance of the divider.

**SPRG (Pin 13/Pin 13):** A resistor is connected between SPRG and GND to set the turn-off delay for the synchronous rectifier driver outputs (OUTE and OUTF). The nominal voltage on SPRG is 2V.

**$V_{REF}$  (Pin 14/Pin 14):** Output of the 5V Reference.  $V_{REF}$  is capable of supplying up to 18mA to external circuitry.  $V_{REF}$  should be decoupled to GND with a 1 $\mu$ F ceramic capacitor.

**OUTF (Pin 15/Pin 15):** 50mA Driver for Synchronous Rectifier Associated with OUTB and OUTC.

**OUTE (Pin 16/Pin 16):** 50mA Driver for Synchronous Rectifier Associated with OUTA and OUTD.

**OUTD (Pin 17/Pin 17):** 50mA Driver for Low Side of the Full Bridge Active Leg.

**$V_{CC}$  (Pin 18/Pin 18):** Supply Voltage Input to the LTC3722-1/LTC3722-2 and 10.25V Shunt Regulator. The chip is enabled after  $V_{CC}$  has risen high enough to allow the  $V_{CC}$  shunt regulator to conduct current and the UVLO comparator threshold is exceeded. Once the  $V_{CC}$  shunt regulator has turned on,  $V_{CC}$  can drop to as low as 6V (typ) and maintain operation.

# LTC3722-1/LTC3722-2

## PIN FUNCTIONS (LTC3722-1/LTC3722-2)

**OUTC (Pin 19/Pin 19):** 50mA Driver for High Side of the Full Bridge Active Leg.

**OUTB (Pin 20/Pin 20):** 50mA Driver for Low Side of the Full Bridge Passive Leg.

**OUTA (Pin 21/Pin 21):** 50mA Driver for High Side of the Full Bridge Passive Leg.

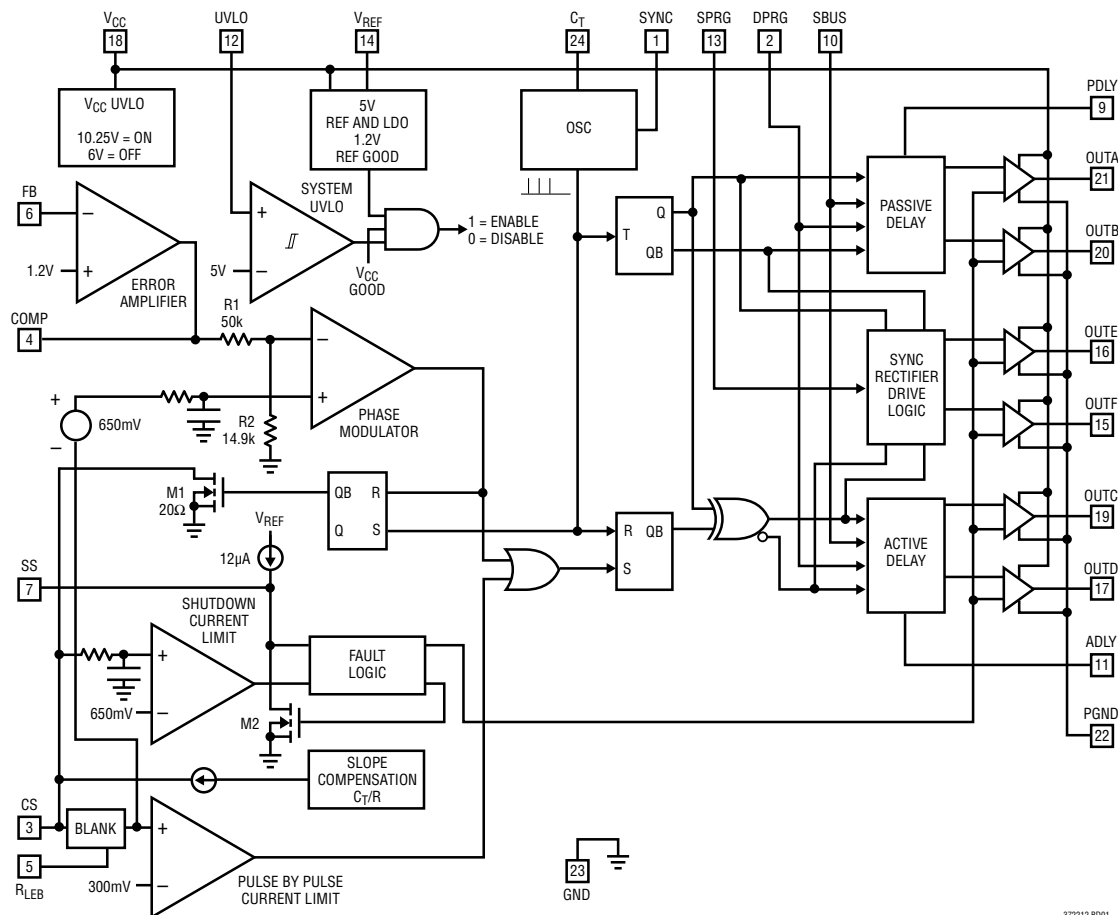
**PGND (Pin 22/Pin 22):** Power Ground for the LTC3722. The output drivers of the LTC3722 are referenced to PGND. Connect the ceramic  $V_{CC}$  bypass capacitor directly to PGND.

**GND (Pin 23/Pin 23):** All circuits other than the output drivers in the LTC3722 are referenced to GND. Use of a ground plane is recommended but not absolutely necessary.

**$C_T$  (Pin 24/Pin 24):** Timing Capacitor for the Oscillator. Use a  $\pm 5\%$  or better low ESR ceramic capacitor for best results.

## BLOCK DIAGRAM

LTC3722-1 Current Mode SYNC Phase-Shift PWM

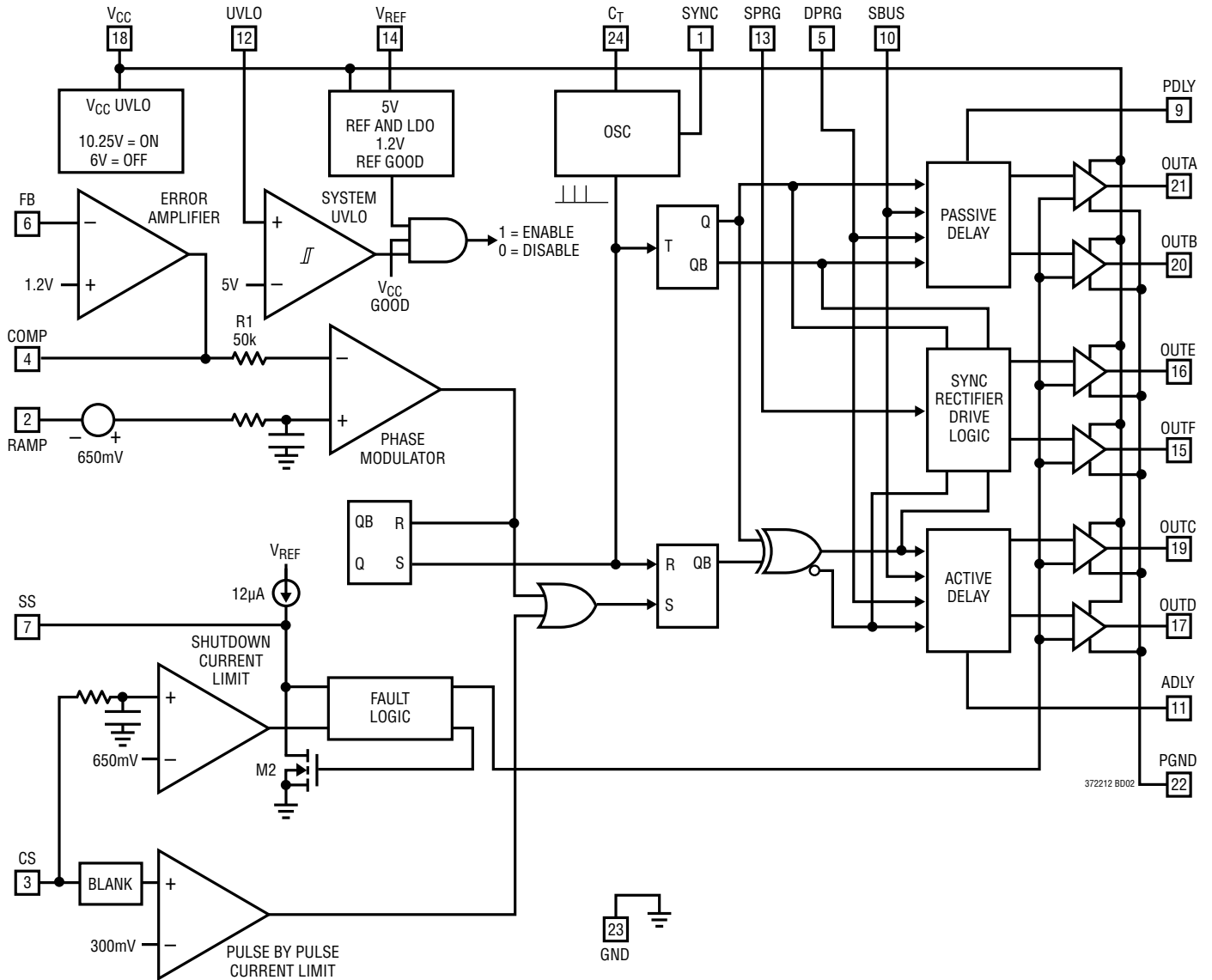


372212 8001



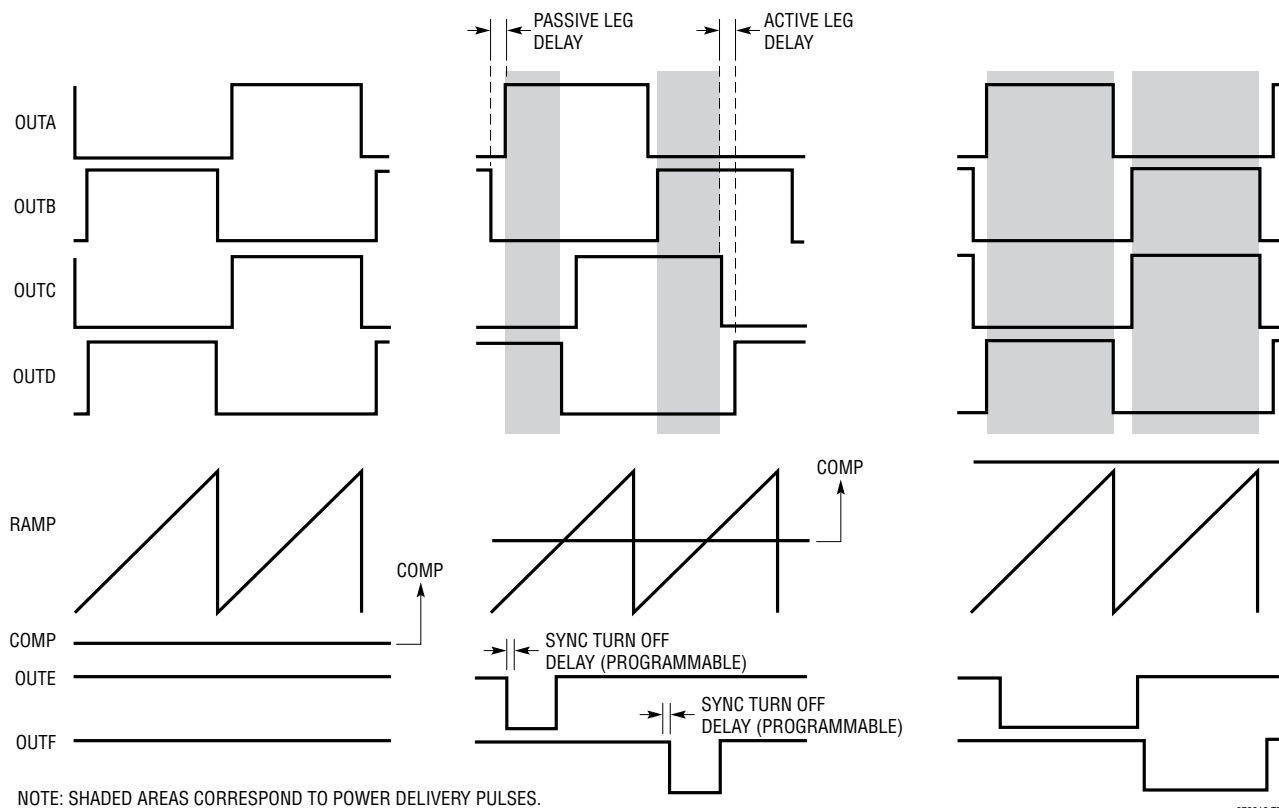
# BLOCK DIAGRAM

## LTC3722-2 Voltage Mode SYNC Phase-Shift PWM



372212 BD02

## TIMING DIAGRAM



372212 TD01

## OPERATION

### Phase-Shift Full Bridge PWM

Conventional full bridge switching power supply topologies are often employed for high power, isolated DC/DC and off-line converters. Although they require two additional switching elements, substantially greater power and higher efficiency can be attained for a given transformer size compared to the more common single-ended forward and flyback converters. These improvements are realized since the full bridge converter delivers power during both parts of the switching cycle, reducing transformer core loss and lowering voltage and current stresses. The full bridge converter also provides inherent automatic transformer flux reset and balancing due to its bidirectional drive configuration. As a result, the maximum duty cycle range is extended, further improving efficiency. Soft-switching variations on the full bridge topology have been proposed to improve and extend its performance and application. These zero voltage switching (ZVS) techniques exploit the

generally undesirable parasitic elements present within the power stage. The parasitic elements are utilized to drive near lossless switching transitions for all of the external power MOSFETs.

LTC3722-1/LTC3722-2 phase-shift PWM controllers provide enhanced performance and simplify the design task required for a ZVS phase-shifted full bridge converter. The primary attributes of the LTC3722-1/LTC3722-2 as compared to currently available solutions include:

1. Truly adaptive and accurate (DirectSense™ technology) ZVS with programmable timeout.  
Benefit: higher efficiency, higher duty cycle capability, eliminates external trim.
2. Fixed ZVS capability.  
Benefit: enables secondary-side control and simplifies external circuit.

Rev C

## OPERATION

3 Internally generated drive signals with programmable turn-off for current doubler synchronous rectifiers.

Benefit: eliminates external glue logic, drivers, optimal timing for highest efficiency.

4. Programmable (single resistor) leading edge blanking.

Benefit: prevents spurious operation, reduces external filtering required on CS.

5. Programmable (single resistor) slope compensation.

Benefit: eliminates external glue circuitry.

6. Optimized current mode control architecture.

Benefit: eliminates glue circuitry, less overshoot at start-up, faster recovery from system faults.

7. Programmable system undervoltage lockout and hysteresis.

Benefit: provides an accurate turn-on voltage for power supply and reduces external circuitry.

As a result, the LTC3722-1/LTC3722-2 makes the ZVS topology feasible for a wider variety of applications, including those at lower power levels.

The LTC3722-1/LTC3722-2 control four external power switches in a full bridge arrangement. The load on the bridge is the primary winding of a power transformer. The diagonal switches in the bridge connect the primary winding between the input voltage and ground every oscillator cycle. The pair of switches that conduct are alternated by an internal flip-flop in the LTC3722-1/LTC3722-2. Thus, the voltage applied to the primary is reversed in polarity on every switching cycle and each output drive signal is one-half the frequency of the oscillator. The on-time of each driver signal is slightly less than 50%. The on-time overlap of the diagonal switch pairs is controlled by the LTC3722-1/LTC3722-2 phase modulation circuitry (refer to the Block and Timing Diagrams). This overlap sets the approximate duty cycle of the converter. The LTC3722-1/LTC3722-2 driver output signals (OUTA to OUTF) are optimized for interface with an external gate driver IC or buffer. External power MOSFETs A and C require high side driver circuitry, while B and D are ground referenced and E and F are ground referenced but on the secondary-side of the isolation barrier. Methods for providing drive to these

elements are detailed in this data sheet. The secondary voltage of the transformer is the primary voltage divided by the transformer turns ratio. Similar to a buck converter, the secondary square wave is applied to an output filter inductor and capacitor to produce a well regulated DC output voltage.

### Switching Transitions

The phase-shifted full bridge can be described by four primary operating states. The key to understanding how ZVS occurs is revealed by examining the states in detail. Each full cycle of the transformer has two distinct periods in which power is delivered to the output, and two “free-wheeling” periods. The two sides of the external bridge have fundamentally different operating characteristics that become important when designing for ZVS over a wide load current range. The left bridge leg is referred to as the passive leg, while the right leg is referred to as the active leg. The following descriptions provide insight as to why these differences exist.

#### State 1 (Power Pulse 1)

As shown in Figure 1, State 1 begins with MA, MD and MF “ON” and MB, MC and ME “OFF.” During the simultaneous conduction of MA and MD, the full input voltage is applied across the transformer primary winding and following the dot convention,  $V_{IN}/N$  is applied to the left side of LO1 allowing current to increase in LO1. The primary current during this period is approximately equal to the output inductor current (LO1) divided by the transformer turns ratio plus the transformer magnetizing current ( $(V_{IN} \cdot t_{ON}) / (L_{MAG} \cdot 2)$ ). MD turns off and ME turns on at the end of State 1.

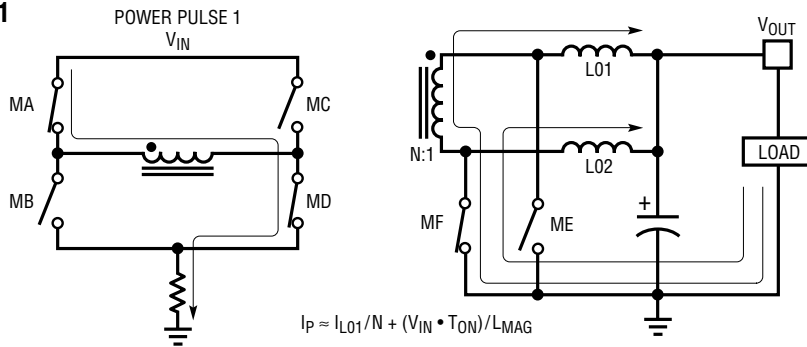
#### State 2 (Active Transition and Freewheel Interval)

MD turns off when the phase modulator comparator transitions. At this instant, the voltage on the MD/MC junction begins to rise towards the applied input voltage ( $V_{IN}$ ). The transformer’s magnetizing current and the reflected output inductor current propels this action. The slew rate is limited by MOSFET MC and MD’s output capacitance ( $C_{OSS}$ ), snubbing capacitance and the transformer interwinding capacitance. The voltage transition on the active leg from the ground reference point to  $V_{IN}$  will always

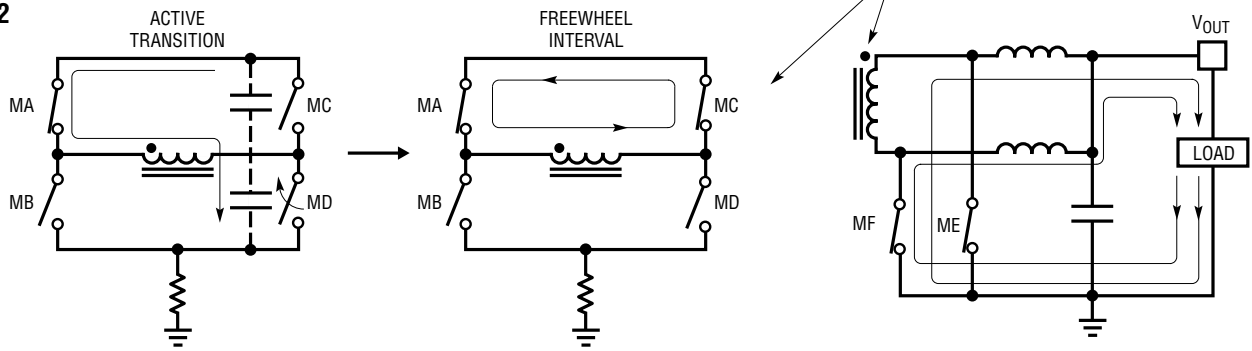
Rev C

## OPERATION

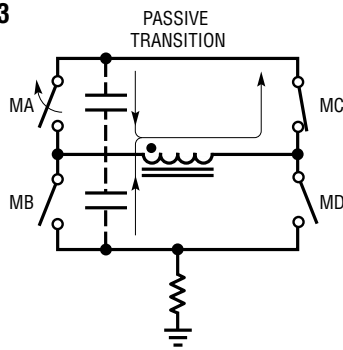
**State 1**



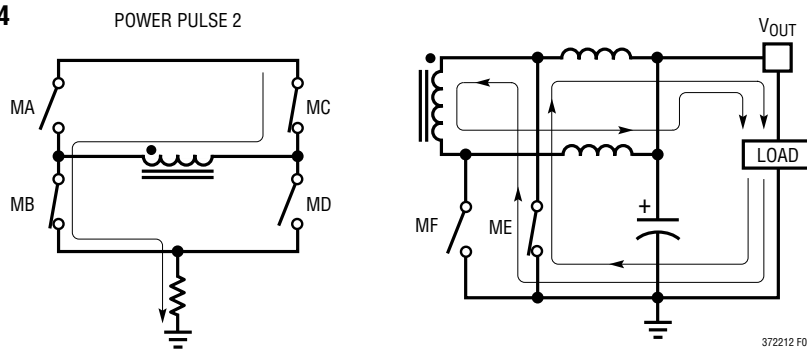
**State 2**



**State 3**



**State 4**



## OPERATION

occur, independent of load current as long as energy in the transformer's magnetizing and leakage inductance is greater than the capacitive energy. That is,  $1/2 \cdot (LM + LI) \cdot IM2 > 1/2 \cdot 2 \cdot COSS \cdot VIN2$  — the worst case occurs when the load current is zero. This condition is usually easy to meet. The magnetizing current is virtually constant during this transition because the magnetizing inductance has positive voltage applied across it throughout the low to high transition. Since the leg is actively driven by this current source, it is called the active or linear transition. When the voltage on the active leg has risen to  $V_{IN}$ , MOSFET MC is switched on by the ZVS circuitry. The primary current now flows through the two high side MOSFETs (MA and MC). The transformer's secondary windings are electrically shorted at this time since both ME and MF are "ON". As long as positive current flows in LO1 and LO2, the transformer primary (magnetizing) inductance is also shorted through normal transformer action. MA and MF turn off at the end of State 2.

### State 3 (Passive Transition)

MA turns off when the oscillator timing period ends, i.e., the clock pulse toggles the internal flip-flop. At the instant MA turns off, the voltage on the MA/MB junction begins to decay towards the lower supply (GND). The energy available to drive this transition is limited to the primary leakage inductance and added commutating inductance which have  $(I_{MAG} + I_{OUT}/2N)$  flowing through them initially. The magnetizing and output inductors do not contribute any energy because they are effectively shorted as mentioned previously, significantly reducing the available energy. This is the major difference between the active and passive transitions. If the energy stored in the leakage and commutating inductance is greater than the capacitive energy, the transition will be completed successfully. During the transition, an increasing reverse voltage is applied to the leakage and commutating inductances, helping the overall primary current to decay. The inductive energy is thus resonantly transferred to the capacitive elements, hence, the term passive or resonant transition. Assuming there is sufficient inductive energy to propel the bridge leg to GND, the time required will be approximately equal to:

$$\frac{\pi}{2} \sqrt{LC}$$

When the voltage on the passive leg nears GND, MOSFET MB is commanded "ON" by the ZVS circuitry. Current continues to increase in the leakage and external series inductance which is opposite in polarity to the reflected output inductor current. When this current is equal in magnitude to the reflected output current, the primary current reverses direction, the opposite secondary winding becomes forward biased and a new power pulse is initiated. The time required for the current reversal reduces the effective maximum duty cycle and must be considered when computing the power transformer turns ratio. If ZVS is required over the entire range of loads, a small commutating inductor is added in series with the primary to aid with the passive leg transition, since the leakage inductance alone is usually not sufficient and predictable enough to guarantee ZVS over the full load range.

### State 4 (Power Pulse 2)

During power pulse 2, current builds up in the primary winding in the opposite direction as power pulse 1. The primary current consists of reflected output inductor current and current due to the primary magnetizing inductance. At the end of State 4, MOSFET MC turns off and an active transition, essentially similar to State 2 but opposite in direction (high to low), takes place.

### Zero Voltage Switching (ZVS)

A lossless switching transition requires that the respective full bridge MOSFETs be switched to the "ON" state at the exact instant their drain-to-source voltage is zero. Delaying the turn-on results in lower efficiency due to circulating current flowing in the body diode of the primary side MOSFET rather than its low resistance channel. Premature turn-on produces hard switching of the MOSFETs, increasing noise and power dissipation.

### LTC3722-1/LTC3722-2 Adaptive Delay Circuitry

The LTC3722-1/LTC3722-2 monitors both the input supply and instantaneous bridge leg voltages, and commands a switching transition when the expected zero voltage condition is reached. DirectSense technology provides optimal turn-on delay timing, regardless of input voltage, output load, or component tolerances. The DirectSense technique requires only a simple voltage divider sense

Rev C

## OPERATION

network to implement. If there is not enough energy to fully commutate the bridge leg to a ZVS condition, the LTC3722-1/LTC3722-2 automatically overrides the DirectSense circuitry and forces a transition. The override or default delay time is programmed with a resistor from DPRG to  $V_{REF}$ .

### Adaptive Mode

The LTC3722-1/LTC3722-2 are configured for adaptive delay sensing with three pins, ADLY, PDLY and SBUS. ADLY and PDLY sense the active and passive delay legs respectively via a voltage divider network, as shown in Figure 2.

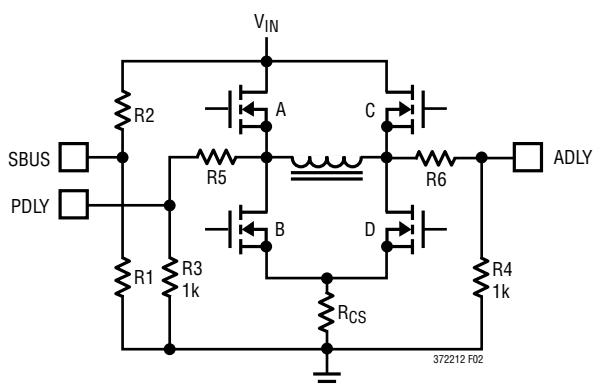


Figure 2. Adaptive Mode

The threshold voltage on PDLY and ADLY for both the rising and falling transitions is set by the voltage on SBUS. A buffered version of this voltage is used as the threshold level for the internal DirectSense circuitry. At nominal  $V_{IN}$ , the voltage on SBUS is set to 1.5V by an external voltage divider between  $V_{IN}$  and GND, making this voltage directly proportional to  $V_{IN}$ . The LTC3722-1/LTC3722-2 DirectSense circuitry uses this characteristic to zero voltage switch all of the external power MOSFETs, independent of input voltage.

ADLY and PDLY are connected through voltage dividers to the active and passive bridge legs respectively. The lower resistor in the divider is set to 1k. The upper resistor in the divider is selected for the desired positive transition trip threshold.

To set up the ADLY and PDLY resistors, first determine at what drain to source voltage to turn-on the MOSFETs. Finite

delays exist between the time at which the LTC3722-1/LTC3722-2 controller output transitions, to the time at which the power MOSFET switches on due to MOSFET turn-on delay and external driver circuit delay. Ideally, we want the power MOSFET to switch at the instant there is zero volts across it. By setting a threshold voltage for ADLY and PDLY corresponding to several volts across the MOSFET, the LTC3722-1/LTC3722-2 can anticipate a zero voltage VDS and signal the external driver and switch to turn-on. The amount of anticipation can be tailored for any application by modifying the upper divider resistor(s). The LTC3722-1/LTC3722-2 DirectSense circuitry sources a trimmed current out of PDLY and ADLY (proportional to SBUS) after a low to high level transition occurs. This provides hysteresis and noise immunity for the PDLY and ADLY circuitry, and sets the high to low threshold on ADLY or PDLY to nearly the same level as the low to high threshold, thereby making the upper and lower MOSFET VDS switch points virtually identical, independent of  $V_{IN}$ .

Example:  $V_{IN} = 48V$  nominal (36V to 72V)

1. Set up SBUS: 1.5V is desired on SBUS with  $V_{IN} = 48V$ . Set divider current to 100 $\mu A$ .

$$R1 = \frac{1.5V}{100\mu A} = 15k$$

$$R2 = \frac{48V - 1.5V}{100\mu A} = 465k$$

An optional small capacitor (0.001 $\mu F$ ) can be added across R1 to decouple noise from this input.

2. Set up ADLY and PDLY: 7V of anticipation is desired in this circuit to account for the delays of the external MOSFET driver and gate drive components.

R3, R4 = 1k, sets a nominal 1.5mA in the divider chain at the threshold.

$$R5, R6 = \frac{(48V - 7V - 1.5V)}{1.5mA} = 26.3k,$$

use (2) equal 13k segments.

## OPERATION

### Fixed Delay Mode

The LTC3722-1/LTC3722-2 provides the flexibility through the SBUS pin to disable the DirectSense delay circuitry and enable fixed ZVS delays. The level of fixed ZVS delay is proportional to the voltage programmed through the voltage divider on the PDLY and ADLY pins (see Figure 3 for more detail).

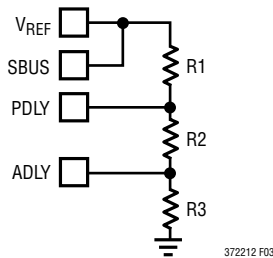


Figure 3. Setup for Fixed ZVS Delays

### Programming Adaptive Delay Time-Out

The LTC3722-1/LTC3722-2 controllers include a feature to program the maximum time delay before a bridge switch turn on command is summoned. This function will come into play if there is not enough energy to commutate a bridge leg to the opposite supply rail, therefore bypassing the adaptive delay circuitry. The time delay can be set with an external resistor connected between DPRG and VREF (see Figure 4). The nominal regulated voltage on DPRG is 2V. The external resistor programs a current which flows into DPRG. The delay can be adjusted from approximately 35ns to 300ns, depending on the resistor value. If DPRG is left open, the delay time is approximately 400ns. The amount of delay can also be modulated based on an external current source that feeds current into DPRG. Care must be taken to limit the current fed into DPRG to 350µA or less.

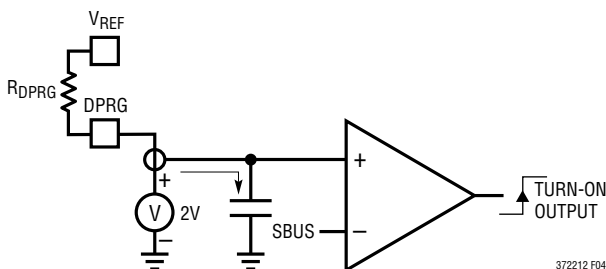


Figure 4. Delay Timeout Circuitry

### Powering the LTC3722-1/LTC3722-2

The LTC3722-1/LTC3722-2 utilize an integrated V<sub>CC</sub> shunt regulator to serve the dual purposes of limiting the voltage applied to V<sub>CC</sub> as well as signaling that the chip's bias voltage is sufficient to begin switching operation (under-voltage lockout). With its typical 10.2V turn-on voltage and 4.2V UVLO hysteresis, the LTC3722-1/LTC3722-2 is tolerant of loosely regulated input sources such as an auxiliary transformer winding. The V<sub>CC</sub> shunt is capable of sinking up to 25mA of externally applied current. The UVLO turn-on and turn-off thresholds are derived from an internally trimmed reference making them extremely accurate. In addition, the LTC3722-1/LTC3722-2 exhibits very low (145µA typ) start-up current that allows the use of 1/8W to 1/4W trickle charge start-up resistors.

The trickle charge resistor should be selected as follows:

$$R_{\text{START(MAX)}} = V_{\text{IN(MIN)}} - \frac{10.7\text{V}}{250\mu\text{A}}$$

Adding a small safety margin and choosing standard values yields:

APPLICATION	V <sub>IN</sub> RANGE	R <sub>START</sub>
DC/DC	36V TO 72V	100k
Off-Line	85V to 270V <sub>RMS</sub>	430k
PFC Preregulator	390V <sub>DC</sub>	1.4M

V<sub>CC</sub> should be bypassed with a 0.1µF to 1µF multilayer ceramic capacitor to decouple the fast transient currents demanded by the output drivers and a bulk tantalum or electrolytic capacitor to hold up the V<sub>CC</sub> supply before the bootstrap winding, or an auxiliary regulator circuit takes over.

$$C_{\text{HOLDUP}} = (I_{\text{CC}} + I_{\text{DRIVE}}) \cdot \frac{t_{\text{DELAY}}}{3.8\text{V}}$$

(minimum UVLO hysteresis)

## OPERATION

Regulated bias supplies as low as 7V can be utilized to provide bias to the LTC3722-1/LTC3722-2. Figure 5 shows various bias supply configurations.

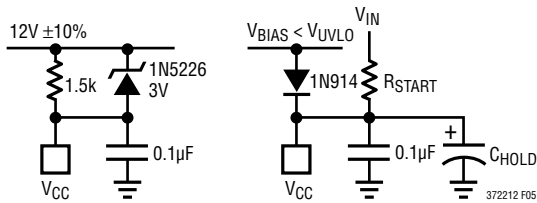


Figure 5. Bias Configurations

Care must be taken to control the rise rate at  $V_{CC}$  during start-up to less than  $0.1V/\mu s$ . This will ensure the internal band-gap circuit is in regulation before certain IC functions are enabled.

### Programming Undervoltage Lockout

The LTC3722-1/LTC3722-2 provides undervoltage lockout (UVLO) control for the input DC voltage feed to the power converter in addition to the  $V_{CC}$  UVLO function described in the preceding section. Input DC feed UVLO is provided with the UVLO pin. A comparator on UVLO compares a divided down input DC feed voltage to the 5V precision reference. When the 5V level is exceeded on UVLO, the SS pin is released and output switching commences. At the same time a  $10\mu A$  current is enabled which flows out of UVLO into the voltage divider connected to UVLO. The amount of DC feed hysteresis provided by this current is:  $10\mu A \cdot R_{TOP}$ , see Figure 6. The system UVLO threshold is:  $5V \cdot [(R_{TOP} + R_{BOTTOM})/R_{BOTTOM}]$ . If the voltage applied

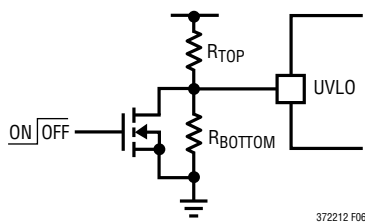


Figure 6. System UVLO Setup

to UVLO is present and greater than 5V prior to the  $V_{CC}$  UVLO circuitry activation, then the internal UVLO logic will prevent output switching until the following three conditions are met: (1)  $V_{CC}$  UVLO is enabled, (2)  $V_{REF}$  is in regulation and (3) UVLO pin is greater than 5V.

UVLO can also be used to enable and disable the power converter. An open drain transistor connected to UVLO, as shown in Figure 6, provides this capability.

### Off-Line Bias Supply Generation

If a regulated bias supply is not available to provide  $V_{CC}$  voltage to the LTC3722-1/LTC3722-2 and supporting circuitry, one must be generated. Since the power requirement is small, approximately 1W, and the regulation is not critical, a simple open-loop method is usually the easiest and lowest cost approach. One method that works well is to add a winding to the main power transformer, and post regulate the resultant square wave with an L-C filter (see Figure 7a). The advantage of this approach is that it maintains decent regulation as the supply voltage varies, and it does not require full safety isolation from the input winding of the transformer. Some manufacturers include a primary winding for this purpose in their standard product offerings as well. A different approach is to add a winding to the output inductor and peak detect and filter the square wave signal (see Figure 7b). The polarity of this winding

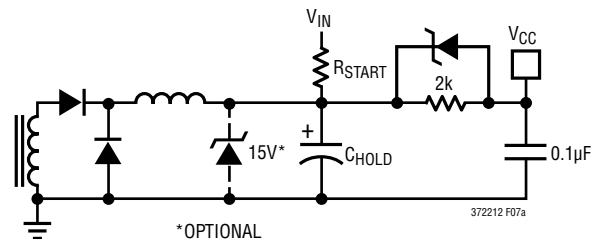


Figure 7a. Auxiliary Winding Bias Supply

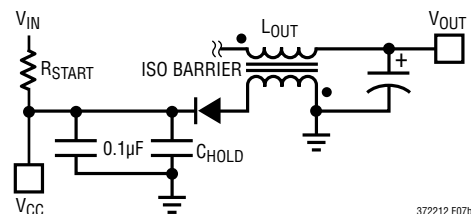


Figure 7b. Output Inductor Bias Supply



## OPERATION

is designed so that the positive voltage square wave is produced while the output inductor is freewheeling. An advantage of this technique over the previous is that it does not require a separate filter inductor and since the voltage is derived from the well regulated output voltage, it is also well controlled. One disadvantage is that this winding will require the same safety isolation that is required for the main transformer. Another disadvantage is that a much larger  $V_{CC}$  filter capacitor is needed, since it does not generate a voltage as the output is first starting up, or during short-circuit conditions.

### Programming the LTC3722-1/LTC3722-2 Oscillator

The high accuracy LTC3722-1/LTC3722-2 oscillator circuit provides flexibility to program the switching frequency, slope compensation, and synchronization with minimal external components. The LTC3722-1/LTC3722-2 oscillator circuitry produces a 2.5V peak-to-peak amplitude ramp waveform on  $C_T$  and a narrow pulse on SYNC that can be used to synchronize other PWM chips. Typical maximum duty cycles of 98.5% are obtained at 300kHz and 96% at 1MHz. A compensating slope current is derived from the oscillator ramp waveform and sourced out of CS.

The desired amount of slope compensation is selected with single external resistor. A capacitor to GND on  $C_T$  programs the switching frequency. The  $C_T$  ramp discharge current is internally set to a high value (>10mA). The dedicated SYNC I/O pin easily achieves synchronization. The LTC3722-1/

LTC3722-2 can be set up to either synchronize other PWM chips or be synchronized by another chip or external clock source. The 1.9V SYNC threshold allows the LTC3722-1/LTC3722-2 to be synchronized directly from all standard 3V and 5V logic families.

### Design Procedure:

1. Choose  $C_T$  for the desired oscillator frequency. The switching frequency selected must be consistent with the power magnetics and output power level. In general, increasing the switching frequency will decrease the maximum achievable output power, due to limitations of maximum duty cycle imposed by transformer core reset and ZVS. Remember that the transformer frequency is one-half that of the oscillator.

$$C_T = \frac{1}{(13.4 \text{ k} \cdot f_{OSC})}$$

Example: Desired  $f_{OSC} = 330\text{kHz}$

$C_T = 1/(13.4\text{k} \cdot f_{OSC}) = 226\text{pF}$ , choose closest standard value of 220pF. A 5% or better tolerance multilayer NPO or X7R ceramic capacitor is recommended for best performance.

2. The LTC3722-1/LTC3722-2 can either synchronize other PWMs, or be synchronized to an external frequency source or PWM chip (see Figure 8 for details).

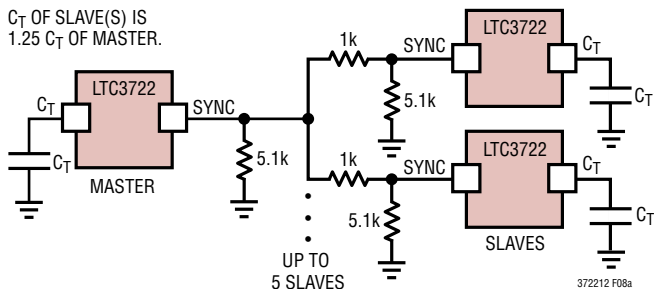


Figure 8a. SYNC Output (Master Mode)

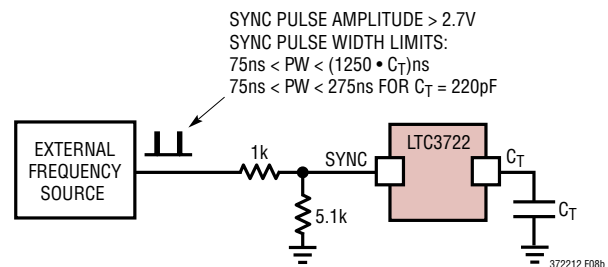


Figure 8b. SYNC Input from an External Source

## OPERATION

3. Slope compensation is required for most peak current mode controllers in order to prevent subharmonic oscillation of the current control loop. In general, if the system duty cycle exceeds 50% in a fixed frequency, continuous current mode converter, an unstable condition exists within the current control loop. Any perturbation in the current signal is amplified by the PWM modulator resulting in an unstable condition. Some common manifestations of this include alternate pulse nonuniformity and pulse width jitter. Fortunately, this can be addressed by adding a corrective slope to the current sense signal or by subtracting the same slope from the current command signal (error amplifier output). In theory, the current doubler output configuration does not require slope compensation since the output inductor duty cycles only approach 50%. However, transient conditions can momentarily cause higher duty cycles and therefore, the possibility for unstable operation.

The exact amount of required slope compensation is easily programmed by the LTC3722-1/LTC3722-2 with the addition of a single external resistor (see Figure 9). The LTC3722-1/LTC3722-2 generates a current that is proportional to the instantaneous voltage on  $C_T$ , ( $33\mu\text{A}/\text{V}(C_T)$ ). Thus, at the peak of  $C_T$ , this current is approximately  $74\mu\text{A}$  and is output from the CS pin. A resistor connected between CS and the external current sense resistor sums in the required amount of slope compensation. The value of this resistor is dependent on several factors including minimum  $V_{IN}$ ,  $V_{OUT}$ , switching frequency, current sense resistor value and output inductor value. An illustrative example with the design equation for current doubler secondary follows.

Example:

$$V_{IN} = 36\text{V to } 72\text{V}$$

$$V_{OUT} = 3.3\text{V}$$

$$I_{OUT} = 40\text{A}$$

$$L = 2.2\mu\text{H}$$

Transformer turns ratio (N) =

$$V_{IN(MIN)} \cdot \frac{DC_{MAX}}{(2 \cdot V_{OUT})} = 5$$

$$R_{CS} = 0.05\Omega$$

$f_{SW} = 300\text{kHz}$ , i.e., transformer  $f =$

$$\frac{f_{SW}}{2} = 150\text{kHz}$$

$$R_{SLOPE} = V_O \cdot \frac{R_{CS}}{(2 \cdot L \cdot f_{SW} \cdot 74\mu\text{A} \cdot N)}$$

$$= 3.3\text{V} \cdot \frac{0.05}{2 \cdot 2.2\mu\text{H} \cdot 300\text{k} \cdot 74\mu\text{A} \cdot 5}$$

$R_{SLOPE} = 338\Omega$ , choose the next higher standard value to account for tolerances in  $I_{SLOPE}$ ,  $R_{CS}$ , N and L.

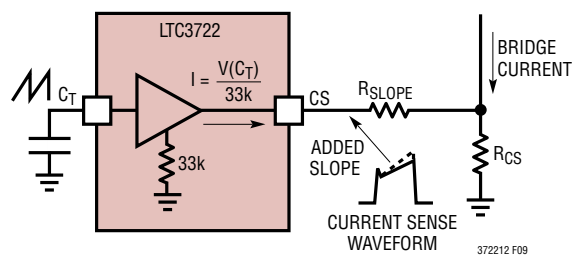


Figure 9. Slope Compensation Circuitry

## OPERATION

### Current Sensing and Overcurrent Protection

Current sensing provides feedback for the current mode control loop and protection from overload conditions. The LTC3722-1/LTC3722-2 are compatible with either resistive sensing or current transformer methods. Internally connected to the LTC3722-1/LTC3722-2 CS pin are two comparators that provide pulse-by-pulse and overcurrent shutdown functions respectively (see Figure 10).

The pulse-by-pulse comparator has a 300mV nominal threshold. If the 300mV threshold is exceeded, the PWM cycle is terminated. The overcurrent comparator is set approximately 2x higher than the pulse-by-pulse level. If the current signal exceeds this level, the PWM cycle is terminated, the soft-start capacitor is quickly discharged and a soft-start cycle is initiated. If the overcurrent condition persists, the LTC3722-1/LTC3722-2 halts PWM operation and waits for the soft-start capacitor to charge up to approximately 4V before a retry is allowed. The soft-start capacitor is charged by an internal 12 $\mu$ A current source. If the fault condition has not cleared when soft-start reaches 4V, the soft-start pin is again discharged and a new cycle is initiated. This is referred to as hiccup mode operation. In normal operation and under most abnormal conditions, the pulse-by-pulse comparator is fast enough to prevent hiccup mode operation. In severe cases, how-

ever, with high input voltage, very low  $R_{DS(ON)}$  MOSFETs and a shorted output, or with saturating magnetics, the overcurrent comparator provides a means of protecting the power converter.

### Leading Edge Blanking

The LTC3722-1/LTC3722-2 provides programmable leading edge blanking to prevent nuisance tripping of the current sense circuitry. Leading edge blanking relieves the filtering requirements for the CS pin, greatly improving the response to real overcurrent conditions. It also allows the use of a ground referenced current sense resistor or transformer(s), further simplifying the design. With a single 10k to 100k resistor from  $R_{LEB}$  to GND, blanking times of approximately 40ns to 320ns are programmed. If not required, connecting  $R_{LEB}$  to  $V_{REF}$  can disable leading edge blanking. Keep in mind that the use of leading edge blanking will set a minimum linear control range for the phase modulation circuitry.

### Resistive Sensing

A resistor connected between input common and the sources of MB and MD is the simplest method of current sensing for the full bridge converter. This is the preferred method for low to moderate power levels. The sense resistor should be chosen such that the maximum rated

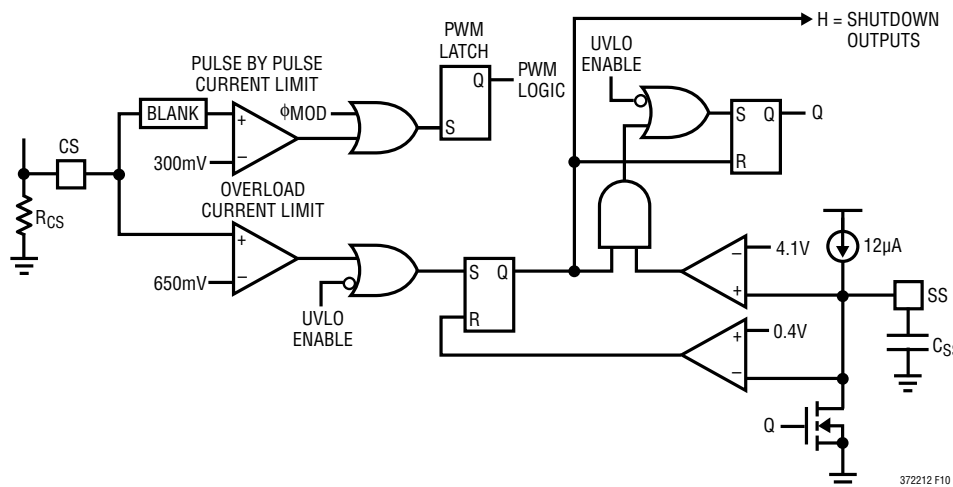


Figure 10. Current Sense/Fault Circuitry Detail

## OPERATION

output current for the converter can be delivered at the lowest expected  $V_{IN}$ . Use the following formula to calculate the optimal value for  $R_{CS}$ .  $I_P$  equation valid for current doubler secondary.

LTC3722-1:

$$R_{CS} = \frac{300\text{mV} - (82.5\mu\text{A} \cdot R_{SLOPE})}{I_P(\text{PEAK})}$$

$$I_P(\text{PEAK}) = \frac{I_{O(\text{MAX})}}{2 \cdot N \cdot \text{EFF}} + \frac{V_{IN(\text{MAX})} \cdot D_{\text{MIN}}}{L_{\text{MAG}} \cdot f_{\text{CLK}} \cdot 2} + \frac{V_O(1 - D_{\text{MIN}})}{L_{\text{OUT}} \cdot f_{\text{CLK}} \cdot N}$$

where:  $N = \text{Transformer turns ratio} = \frac{N_P}{N_S}$

LTC3722-2:

$$R_{CS} = \frac{300\text{mV}}{I_P(\text{PEAK})}$$

### Current Transformer Sensing

A current sense transformer can be used in lieu of resistive sensing with the LTC3722-1/LTC3722-2. Current sense transformers are available in many styles from several manufacturers. A typical sense transformer for this application will use a 1:50 turns ratio ( $N$ ), so that the sense resistor value is  $N$  times larger, and the secondary current  $N$  times smaller than in the resistive sense case. Therefore, the sense resistor power loss is about  $N$  times less with the transformer method, neglecting the transformers core and copper losses. The disadvantages of this approach include, higher cost and complexity, lower accuracy, core reset/maximum duty cycle limitations and lower speed. Nevertheless, for very high power applications, this method is preferred. The sense transformer primary is placed in the same location as the ground referenced sense resistor, or between the upper MOSFET drains in the (MA, MC) and  $V_{IN}$ .

The advantage of the high side location is a greater immunity to leading edge noise spikes, since gate charge current and reflected rectifier recovery current are largely eliminated. Figure 11 illustrates a typical current sense transformer based sensing scheme.  $R_S$  in this case is calculated the same as in the resistive case, only its value is increased by the sense transformer turns ratio. At high duty cycles, it may become difficult or impossible to reset the current transformer. This is because the required transformer reset voltage increases as the available time for reset decreases to equalize the (volt•seconds) applied. The interwinding capacitance and secondary inductance of the current sense transformer form a resonant circuit that limits the  $dV/dT$  on the secondary of the CS transformer. This, in turn, limits the maximum achievable duty cycle for the CS transformer. Attempts to operate beyond this limit will cause the transformer core to “walk” and eventually saturate, opening up the current feedback loop.

Common methods to address this limitation include:

1. Reducing the maximum duty cycle by lowering the power transformer turns ratio.
2. Reducing the switching frequency of the converter.
3. Employ external active reset circuitry.
4. Using two CS transformers summed together.
5. Choose a CS transformer optimized for high frequency applications.

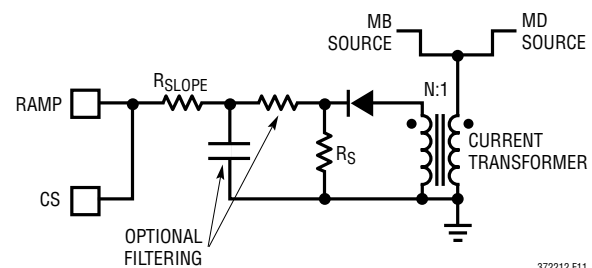


Figure 11. Current Transformer Sense Circuitry

## OPERATION

### Phase Modulator (LTC3722-1)

The LTC3722-1 phase modulation control circuitry is comprised of the phase modulation comparator and logic, the error amplifier, and the soft-start amplifier (see Figure 12). Together, these elements develop the required phase overlap (duty cycle) required to keep the output voltage in regulation. In isolated applications, the sensed output voltage error signal is fed back to COMP across the input to output isolation boundary by an optical coupler and shunt reference/error amplifier (LT<sup>®</sup>1431) combination. The FB pin is connected to GND, forcing COMP high. The collector of the optoisolator is connected to COMP directly. The voltage COMP is internally attenuated by the LTC3722-1. The attenuated COMP voltage provides one input to the phase modulation comparator. This is the current command. The other input to the phase modulation comparator is the RAMP voltage, level shifted by approximately 650mV. This is the current loop feedback. During every switching cycle, alternate diagonal switches (MA-MD or MB-MC) conduct and cause current in an output inductor to increase. This current is seen on the primary of the power transformer divided by the turns ratio. Since the

current sense resistor is connected between GND and the two bottom bridge transistors, a voltage proportional to the output inductor current will be seen across  $R_{SENSE}$ . The high side of  $R_{SENSE}$  is also connected to CS, usually through a small resistor ( $R_{SLOPE}$ ). When the voltage on CS exceeds either  $(COMP/4.3) - 650mV$ , or 300mV, the overlap conduction period will terminate. During normal operation, the attenuated COMP voltage will determine the CS trip point. During start-up, or slewing conditions following a large load step, the 300mV CS threshold will terminate the cycle, as COMP will be driven high, such that the attenuated version exceeds the 300mV threshold. In extreme conditions, the 650mV threshold on CS will be exceeded, invoking a soft-start/restart cycle.

### Selecting the Power Stage Components

Perhaps the most critical part of the overall design of the converter is selecting the power MOSFETs, transformer, inductors and filter capacitors. Tremendous gains in efficiency, transient performance and overall operation can be obtained as long as a few simple guidelines are followed with the phase-shifted full bridge topology.

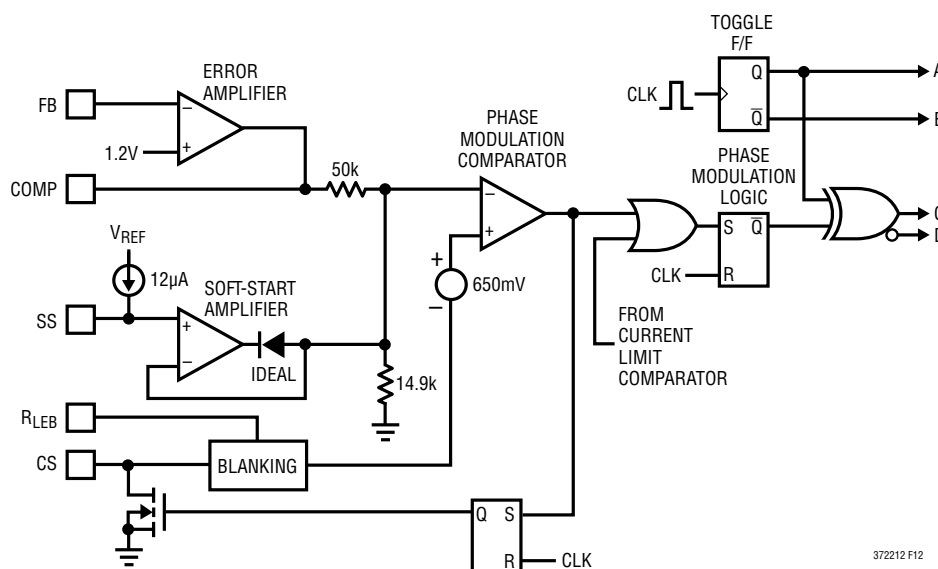


Figure 12. Phase Modulation Circuitry (LTC3722-1)

## OPERATION

### Power Transformer

Switching frequency, core material characteristics, series resistance and input/output voltages all play an important role in transformer selection. Close attention also needs to be paid to leakage and magnetizing inductances as they play an important role in how well the converter will achieve ZVS. Planar magnetics are very well suited to these applications because of their excellent control of these parameters.

### Turns Ratio

The required turns ratio for a current doubler secondary is given below. Depending on the magnetics selected, this value may need to be reduced slightly.

Turns ratio formula:

$$N = \frac{V_{IN(MIN)} \cdot D_{MAX}}{2 \cdot V_{OUT}}$$

where:

$V_{IN(MIN)}$  = Minimum  $V_{IN}$  for operation

$D_{MAX}$  = Maximum duty cycle of controller ( $DC_{MAX}$ )

### Output Capacitors

Output capacitor selection has a dramatic impact on ripple voltage, dynamic response to transients and stability. Capacitor ESR along with output inductor ripple current will determine the peak-to-peak voltage ripple on the output. The current doubler configuration is advantageous because it has inherent ripple current reduction. The dual output inductors deliver current to the output capacitor 180 degrees out-of-phase, in effect, partially canceling each other's ripple current. This reduction is maximized at high duty cycle and decreases as the duty cycle reduces. This means that a current doubler converter requires less output capacitance for the same performance as a conventional converter. By determining the minimum duty cycle for the converter, worst-case  $V_{OUT}$  ripple can be derived by the following formula:

$$V_{ORIPPLE} = I_{RIPPLE} \cdot ESR = \frac{V_0 \cdot ESR}{L_0 \cdot 2 \cdot f_{SW}} (1-D)(1-2D)$$

where:

$D$  = minimum duty cycle

$f_{SW}$  = oscillator frequency

$L_0$  = output inductance

ESR = output capacitor series resistance

The amount of bulk capacitance required is usually system dependent, but has some relationship to output inductance value, switching frequency, load power and dynamic load characteristics. Polymer electrolytic capacitors are the preferred choice for their combination of low ESR, small size and high reliability. For less demanding applications, or those not constrained by size, aluminum electrolytic capacitors are commonly applied. Most DC/DC converters in the 100kHz to 300kHz range use 20 $\mu$ F to 25 $\mu$ F of bulk capacitance per watt of output power. Converters switching at higher frequencies can usually use less bulk capacitance. In systems where dynamic response is critical, additional high frequency capacitors, such as ceramics, can substantially reduce voltage transients.

### Power MOSFETs

The full bridge power MOSFETs should be selected for their  $R_{DS(ON)}$  and  $BV_{DSS}$  ratings. Select the lowest  $BV_{DSS}$  rated MOSFET available for a given input voltage range leaving at least a 20% voltage margin. Conduction losses are directly proportional to  $R_{DS(ON)}$ . Since the full bridge has two MOSFETs in the power path most of the time, conduction losses are approximately equal to:

$$2 \cdot R_{DS(ON)} \cdot I^2, \text{ where } I = \frac{I_0}{2N}$$

Switching losses in the MOSFETs are dominated by the power required to charge their gates, and turn-on and turn-off losses. At higher power levels, gate charge power is seldom a significant contributor to efficiency loss. ZVS operation virtually eliminates turn-on losses. Turn-off losses are reduced by the use of an external drain to source snubber capacitor and/or a very low resistance turn-off driver. If synchronous rectifier MOSFETs are used on the secondary, the same general guidelines apply. Keep in mind, however, that the  $BV_{DSS}$  rating needed for these can be greater than  $V_{IN(MAX)}/N$ , depending on how well the

Rev C

## OPERATION

secondary is snubbed. Without snubbing, the secondary voltage can ring to levels far beyond what is expected due to the resonant tank circuit formed between the secondary leakage inductance and the  $C_{OSS}$  (output capacitance) of the synchronous rectifier MOSFETs.

### Switching Frequency Selection

Unless constrained by other system requirements, the power converter's switching frequency is usually set as high as possible while staying within the desired efficiency target. The benefits of higher switching frequencies are many including smaller size, weight and reduced bulk capacitance. In the full bridge phase-shift converter, these principles are generally the same with the added complication of maintaining zero voltage transitions, and therefore, higher efficiency. ZVS is achieved in a finite time during the switching cycle. During the ZVS time, power is not delivered to the output; the act of ZVS reduces the maximum available duty cycle. This reduction is proportional to maximum output power since the parasitic capacitive element (MOSFETs) that increase ZVS time get larger as power levels increase. This implies an inverse relationship between output power level and switching frequency. Table 1 displays recommended maximum switching frequency vs power level for a 30V/75V in to 3.3V/5V out converter. Higher switching frequencies can be used if the input voltage range is limited, the output voltage is lower and/or lower efficiency can be tolerated.

**Table 1. Switching Frequency vs Power Level**

<50W	600kHz
<100W	450kHz
<200W	300kHz
<500W	200kHz
<1kW	150kHz
<2kW	100kHz

### Closing the Feedback Loop

Closing the feedback loop with the full bridge converter involves identifying where the power stage and other system poles/zeros are located and then designing a compensation network around the converter's error amplifier to shape the frequency response to insure adequate phase

margin and transient response. Additional modifications will sometimes be required in order to deal with parasitic elements within the converter that can alter the feedback response. The compensation network will vary depending on the load current range and the type of output capacitors used. In isolated applications, the compensation network is generally located on the secondary side of the power supply, around the error amplifier of the opto-coupler driver, usually an LT1431 or equivalent. In nonisolated systems, the compensation network is located around the LTC3722-1/LTC3722-2's error amplifier.

In current mode control, the dominant system pole is determined by the load resistance ( $V_O/I_O$ ) and the output capacitor  $1/(2\pi \cdot R_O \cdot C_O)$ . The output capacitors ESR  $1/(2\pi \cdot ESR \cdot C_O)$  introduces a zero. Excellent DC line and load regulation can be obtained if there is high loop gain at DC. This requires an integrator type of compensator around the error amplifier. A procedure is provided for deriving the required compensation components. More complex types of compensation networks can be used to obtain higher bandwidth if necessary.

Step 1. Calculate location of minimum and maximum output pole:

$$F_{P1(MIN)} = \frac{1}{(2\pi \cdot R_{O(MAX)} \cdot C_O)}$$

$$F_{P1(MAX)} = \frac{1}{(2\pi \cdot R_{O(MIN)} \cdot C_O)}$$

Step 2. Calculate ESR zero location:

$$F_{Z1} = \frac{1}{(2\pi \cdot R_{ESR} \cdot C_O)}$$

Step 3. Calculate the feedback divider gain:

$$\frac{R_B}{(R_B + R_T)} \text{ or } \frac{V_{REF}}{V_{OUT}}$$

If polymer electrolytic output capacitors are used, the ESR zero can be employed in the overall loop compensation and optimum bandwidth can be achieved. If aluminum electrolytics are used, the loop will need to be rolled off prior to the ESR zero frequency, making the loop response slower. A linearized SPICE macromodel of the control

## OPERATION

loop is very helpful tool to quickly evaluate the frequency response of various compensation networks.

**Polymer Electrolytic** (see Figure 13)  $1/(2\pi C_C R_I)$  sets a low frequency pole.  $1/(2\pi C_C R_F)$  sets the low frequency zero. The zero frequency should coincide with the worst-case lowest output pole frequency. The pole frequency and mid frequency gain ( $R_F/R_I$ ) should be set such so that the loop crosses over zero dB with a  $-1$  slope at a frequency lower than  $(f_{SW}/8)$ . Use a bode plot to graphically display the frequency response. An optional higher frequency pole set by  $CP2$  and  $R_f$  is used to attenuate switching frequency noise.

**Aluminum Electrolytic** (see Figure 13) the goal of this compensator will be to cross over the output minimum pole frequency. Set a low frequency pole with  $C_C$  and  $R_{IN}$  at a frequency that will cross over the loop at the output pole minimum  $F$ , place the zero formed by  $C_C$  and  $R_f$  at the output pole  $F$ .

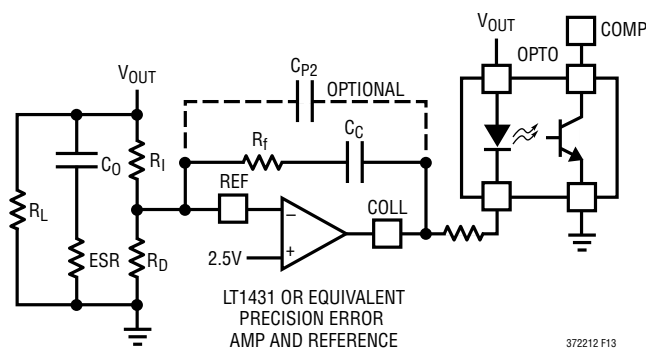


Figure 13. Compensation for Polymer Electrolytic

## Synchronous Rectification

The LTC3722-1/LTC3722-2 produces the precise timing signals necessary to control current doubler secondary side synchronous MOSFETs on OUTE and OUTF. Synchronous rectifiers are used in place of Schottky or Silicon diodes on the secondary side of the power supply. As MOSFET  $R_{DS(ON)}$  levels continue to drop, significant efficiency improvements can be realized with synchronous rectification, provided that the MOSFET switch timing is optimized. An additional benefit realized with synchronous rectifiers is bipolar output current capability. These characteristics

improve transient response, particularly overshoot, and improve ZVS ability at light loads.

## Programming the Synchronous Rectifier Turn-Off Delay

The LTC3722-1/LTC3722-2 controllers include a feature to program the turn-off edge of the secondary side synchronous rectifier MOSFETs relative to the beginning of a new primary side power delivery pulse. This feature provides optimized timing for the synchronous MOSFETs which improves efficiency. At higher load currents it becomes more advantageous to delay the turn-off of the synchronous rectifiers until the transformer core has been reset to begin the new power pulse. This allows for secondary freewheeling current to flow through the synchronous MOSFET channel instead of its body diode.

The turn-off delay is programmed with a resistor from SPRG to GND (see Figure 14). The nominal regulated voltage on SPRG is 2V. The external resistor programs a current which flows out of SPRG. The delay can be adjusted from approximately 20ns to 200ns, with resistor values of 10k to 200k. Do not leave SPRG floating. The amount of delay can also be modulated based on an external current source that sinks current out of SPRG. Care must be taken to limit the current out of SPRG to 350 $\mu$ A or less.

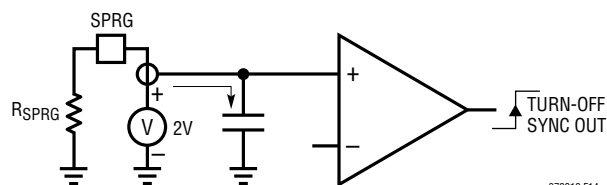


Figure 14. Synchronous Delay Circuitry

## Current Doubler

The current doubler secondary employs two output inductors that equally share the output load current. The transformer secondary is not center-tapped. This configuration provides 2x higher output current capability compared to similarly sized single output inductor modules, hence the name. Each output inductor is twice the inductance value as the equivalent single inductor configuration and the transformer turns ratio is one-half that of a single inductor



## OPERATION

secondary. The drive to the inductors is 180 degrees out-of-phase which provides partial ripple current cancellation in the output capacitor(s). Reduced capacitor ripple current lowers output voltage ripple and enhances the capacitors' reliability. The amount of ripple cancellation is related to duty cycle (see Figure 15). Although the current doubler requires an additional inductor, the inductor core volume is proportional to  $LI^2$ , thus the size penalty is small. The transformer construction is simplified without a center-tap winding and the turns ratio is reduced by one-half compared to a conventional full wave rectifier configuration.

Synchronous rectification of the current doubler secondary requires two ground referenced N-channel MOSFETs. The timing of the LTC3722-1/LTC3722-2 drive signals is shown in the Timing Diagram.

### Full Bridge Gate Drive

The full bridge converter requires high current MOSFET gate driver circuitry for two ground referenced switches and two high side referred switches. Providing drive to the ground referenced switches is not too difficult as long as

the traces from the gate driver chip or buffer to the gate and source leads are short and direct. Drive requirements are further eased since all of the switches turn on with zero VDS, eliminating the Miller effect. Low turn-off resistance is critical, however, in order to prevent excessive turn-off losses resulting from the same Miller effects that were not an issue for turn-on. The LTC3722-1/LTC3722-2 does not require the propagation delays of the high and low side drive circuits to be precisely matched as the DirectSense ZVS circuitry will adapt accordingly. As a result, LTC3722-1/LTC3722-2 can drive a simple NPN-PNP buffer or a gate driver chip like the LTC1693-1 to provide the low side gate drive. Providing drive to the high side presents additional challenges since the MOSFET gate must be driven above the input supply. A simple circuit (Figure 17) using a single LTC1693-1, an inexpensive signal transformer and a few discrete components provides both high side gate drives (A and C) reliably.

The LTC4440 high side driver can also be applied. The LTC4440 eliminates the signal transformer and is preferred for applications where  $V_{IN}$  is less than 80V (max).

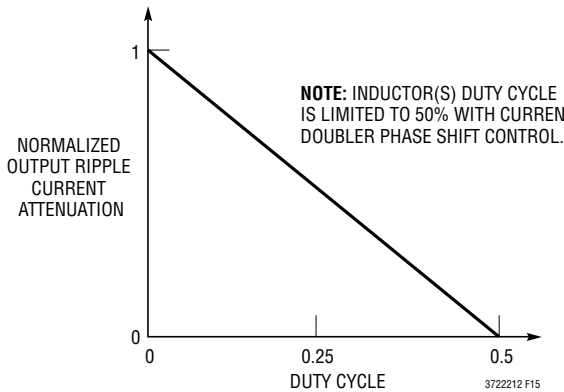


Figure 15. Ripple Current Cancellation vs Duty Cycle

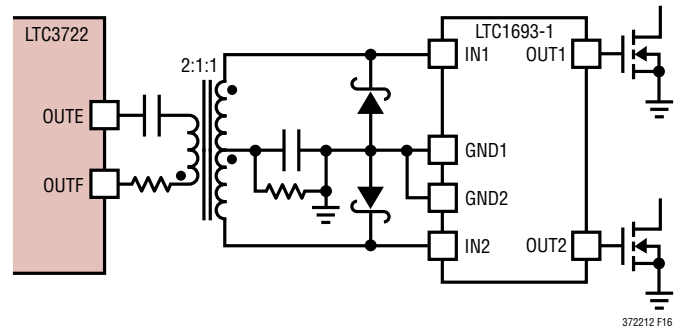


Figure 16. Isolated Drive Circuitry

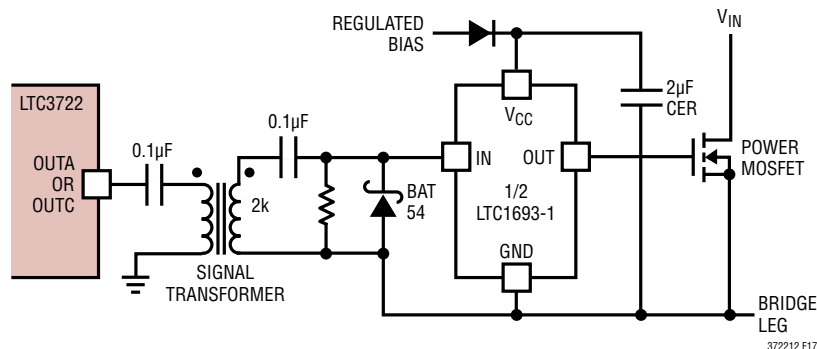
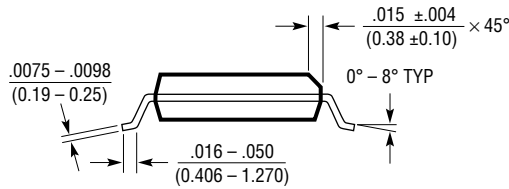
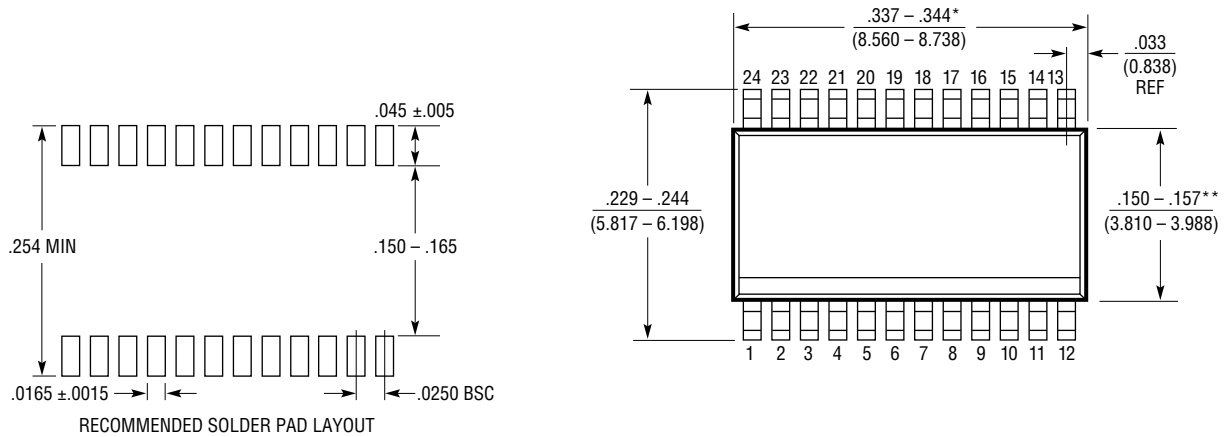


Figure 17. High Side Gate Driver Circuitry

## PACKAGE DESCRIPTION

### GN Package 24-Lead Plastic SSOP (Narrow .150 Inch) (Reference LTC DWG # 05-08-1641 Rev B)

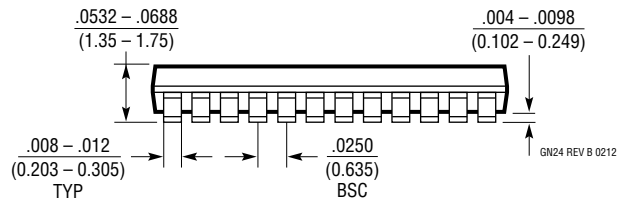


**NOTE:**

1. CONTROLLING DIMENSION: INCHES
2. DIMENSIONS ARE IN  $\frac{\text{INCHES}}{\text{(MILLIMETERS)}}$
3. DRAWING NOT TO SCALE
4. PIN 1 CAN BE BEVEL EDGE OR A DIMPLE

\*DIMENSION DOES NOT INCLUDE MOLD FLASH. MOLD FLASH SHALL NOT EXCEED 0.006" (0.152mm) PER SIDE

\*\*DIMENSION DOES NOT INCLUDE INTERLEAD FLASH. INTERLEAD FLASH SHALL NOT EXCEED 0.010" (0.254mm) PER SIDE



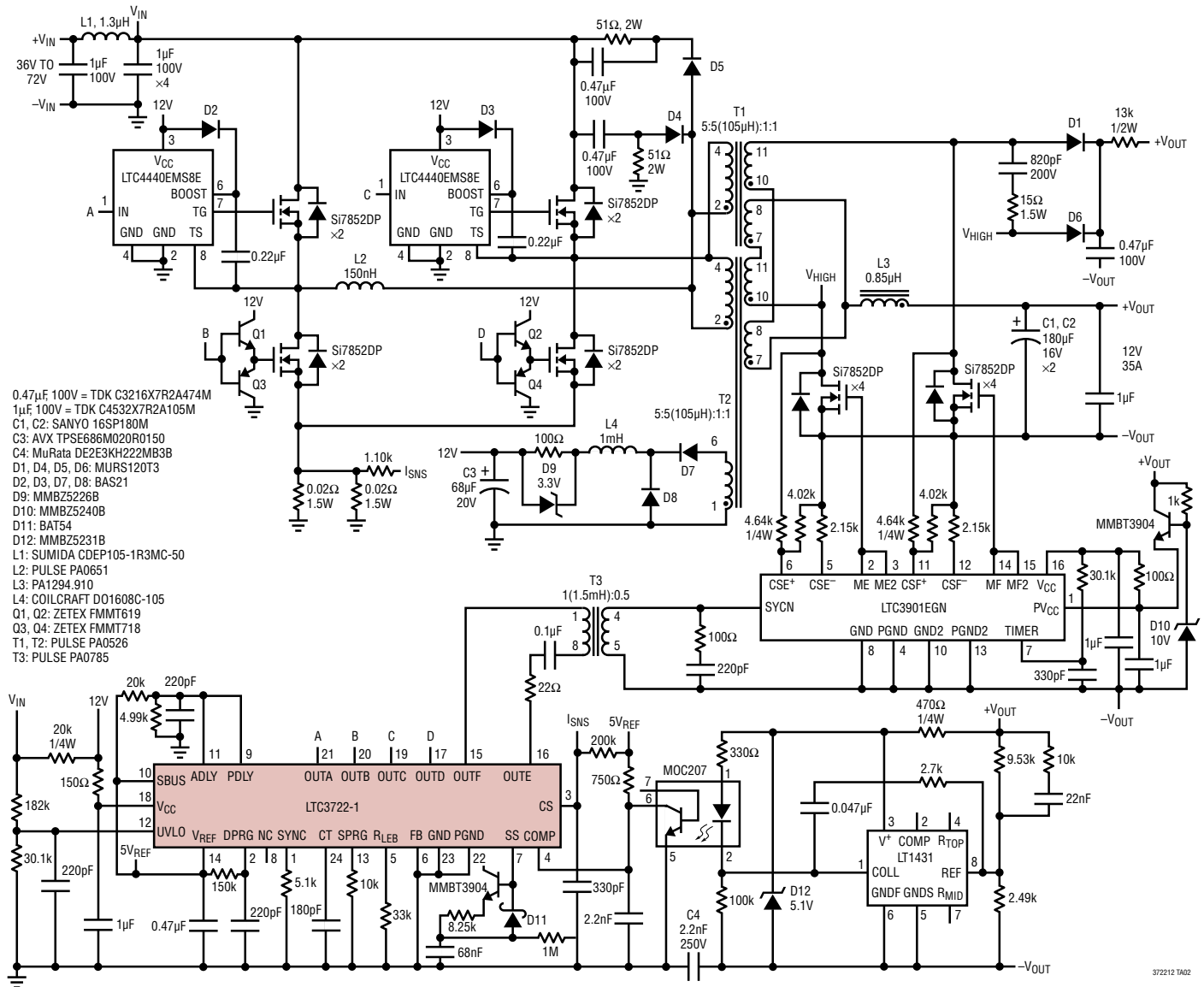
## REVISION HISTORY

REV	DATE	DESCRIPTION	PAGE NUMBER
A	03/10	I-grade parts added. Reflected throughout the data sheet.	1 to 28
B	02/13	H-grade part added. Reflected throughout the data sheet.	1 to 28
C	06/18	Text edits for $C_T$ ramp, $V_{CC}$ rise time, pulse width for sync input	3, 4, 16, 17

# LTC3722-1/LTC3722-2

## TYPICAL APPLICATION

### LTC3722/LTC4440 420W, 36V-72V Input to 12V/35A Isolated Full Bridge Supply



## RELATED PARTS

PART NUMBER	DESCRIPTION	COMMENTS
<a href="#">LTC3723-1/LTC3723-2</a>	Synchronous Push-Pull and Full-Bridge Controllers	High Efficiency with On-Chip MOSFET Drivers
<a href="#">LTC3721-1</a>	Non-Synchronous Push-Pull and Full-Bridge Controller	Minimizes External Components, On-Chip MOSFET Drivers
<a href="#">LTC3765/LTC3766</a>	Isolated Synchronous Forward Controller Chip Set	Ideal for 24V or 48V Input Applications
<a href="#">LT1952/LT1952-1</a>	Isolated Synchronous Forward Controllers	Ideal for 24V or 48V Input Applications
<a href="#">LTC3901</a>	Secondary-Side Synchronous Driver for Full-Bridge and Push-Pull Converters	Programmable Timeout, Reverse Inductor Current Sense
<a href="#">LTC4440</a>	High Voltage High Side MOSFET Driver	100V, 2.4A Pull-Up, 1.6Ω Pull-Down, SOT-23 and MSOP-8 Packages