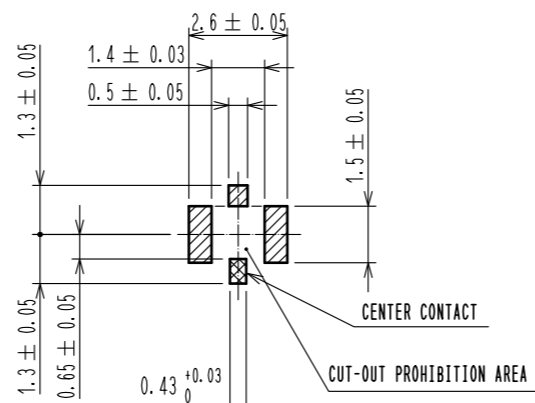
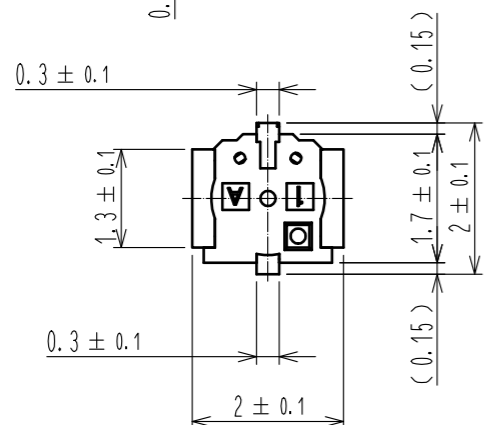
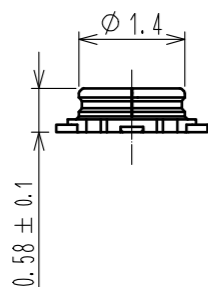
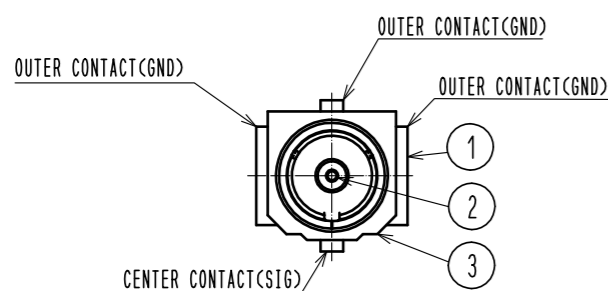
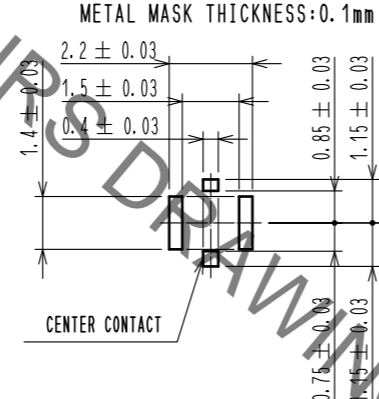


May.1.2023 Copyright 2023 HIROSE ELECTRIC CO., LTD. All Rights Reserved.  
In case of consideration for using Automotive equipment / device which demand high reliability, kindly contact our sales window correspondents.

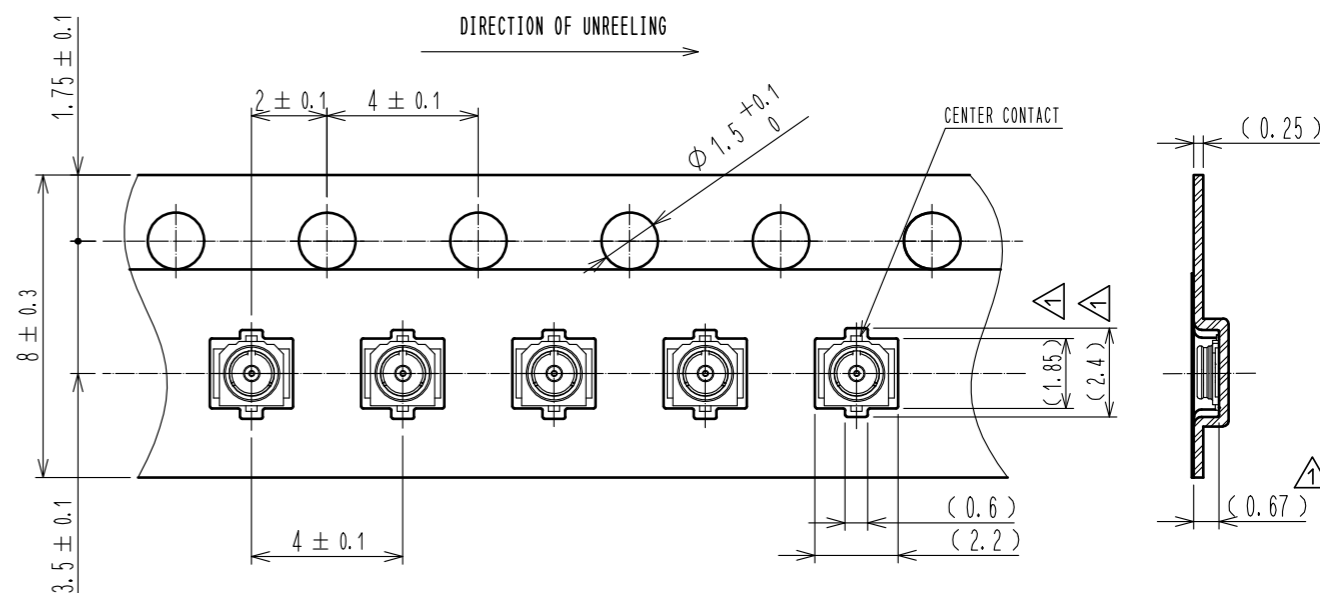
RECOMMENDED PCB LAYOUT (MOUNTING SURFACE SIDE)(5:1)



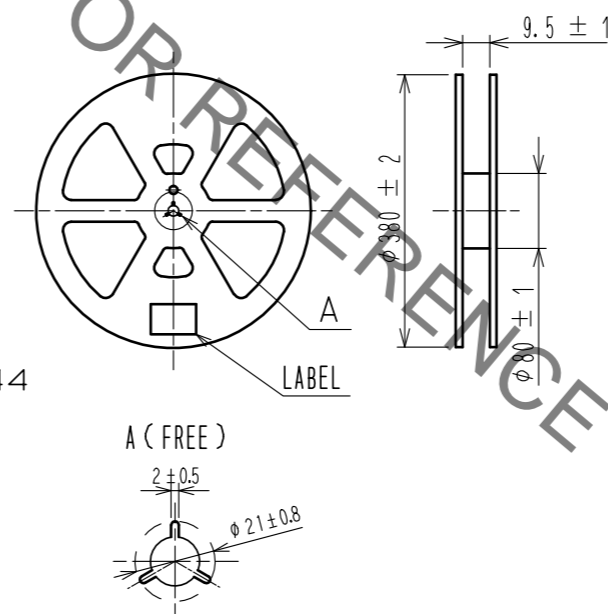
RECOMMENDED METAL MASK DIMENSIONS (5:1)  
METAL MASK THICKNESS: 0.1mm



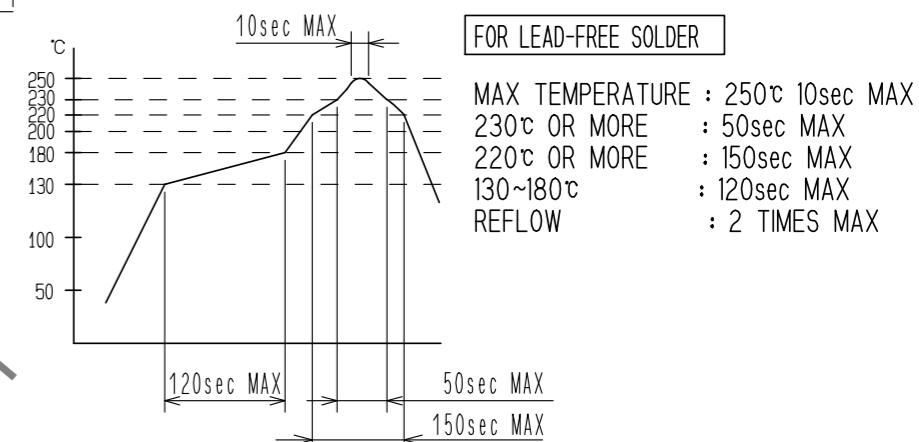
EMBOSSED TAPING DRAWING (FREE)



REEL DRAWING (FREE)



RECOMMENDED REFLOW TEMPERATURE PROFILE



- The quantity of C.FL-R-SMT-1(90) is 20,000 connectors per reel.
- Lead co-planarity shall be 0.08max.
- For the possibility of breakage or deformation, do not mate this connector with partner: C.FL-LP(P)-044 before mounting on pc board.
- Use all products within 6 months after the delivery. Store them in manufacturer's package or tightly re-closed box with the following conditions. Check the terminal solderability before Use if the product has been stored for more than 6 months.  
Temperature: -10°C TO +40°C  
Humidity : 15 TO 85% RH.
- Environmental conditions  
Do not use the products under the environmental conditions as shown below due to possible product deterioration.  
Special gas atmosphere (Hydrogen sulfide gas, Sulfur sulfide gas and Hydrogen chloride gas)  
place attention required: heating system, area near hot spring, volcanic mountain and alike.  
Water splashed and condensation places.  
Place attention required: harsh temperature change.

HALOGEN FREE

NO.	MATERIAL	FINISH	REMARKS	NO.	MATERIAL	FINISH	REMARKS
2	BRASS	GOLD PLATING					
1	PHOSPHOR BRONZE	GOLD PLATING		3	LCP	(BLACK)	UL94V-0

UNITS	SCALE	COUNT	DESCRIPTION OF REVISIONS	DESIGNED	CHECKED	DATE
mm	10:1	3	DIS-D-00004578	Y.J. HAGA	NK. NINOMIYA	20191205

APPROVED	CHECKED	DESIGNED	DRAWN	DRAWING NO.	PART NO.	CODE NO.
KH. IKEDA	MH. TSUCHIDA	Y.J. HAGA	Y.J. HAGA	EDC-375224-90-00	C.FL-R-SMT-1(90)	CL331-2200-0-90