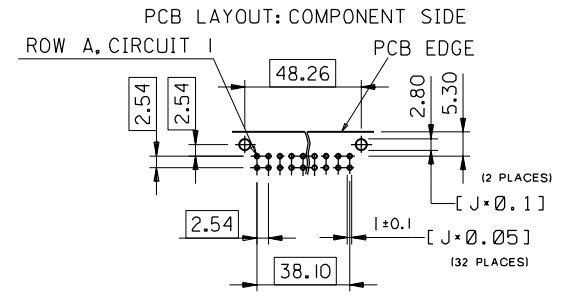
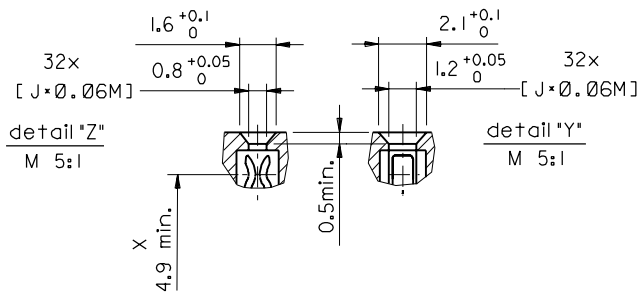
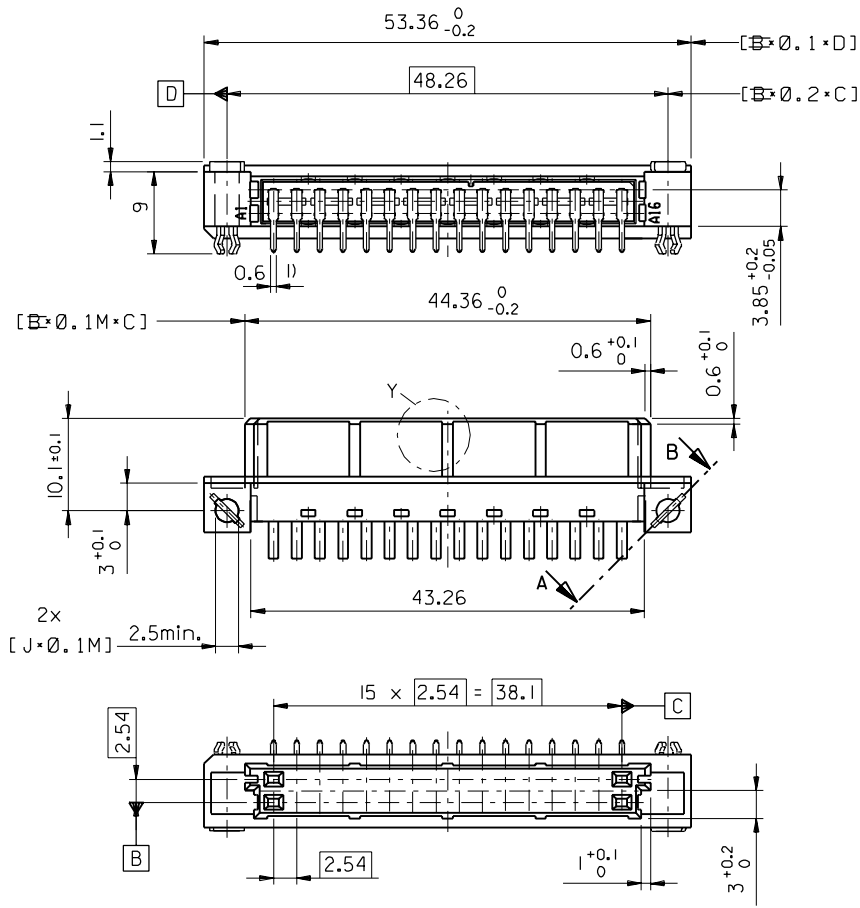
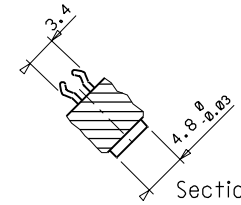
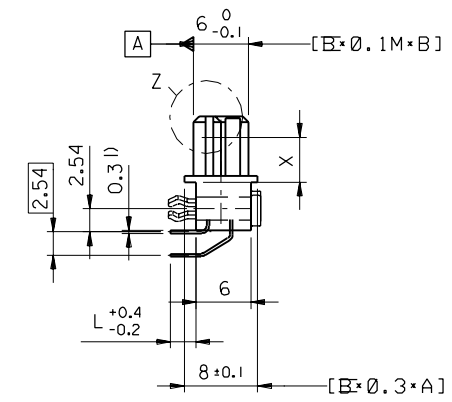


PART NO.
DWG. NO.



1) tails to fit in PC-board layout



FIRST ANGLE PROJECTION

REVISE ONLY ON CAD SYSTEM

UNLESS OTHERWISE SPECIFIED TOLERANCES: ANGULAR ±2°	DRWG BY	SIGN
INCH	KN	
METRIC	CHK'D BY	SIGN
3 PLACE ±	Ca	
2 PLACE ±	APP'D BY	SIGN
1 PLACE ±	JB	
DRAFT WHERE APPLICABLE MUST REMAIN WITHIN DIMENSIONS	SCALE	
DESIGN DIMENSION <input checked="" type="checkbox"/> MM	2:1	
EQUIVALENT DIMENSION <input type="checkbox"/> MM		
<input type="checkbox"/> IN.		
<input type="checkbox"/> IN.		

CAD/CAM PROJECT NAME	SH.	REV.
85050000		
821		
THIS DRAWING CONTAINS INFORMATION THAT IS PROPRIETARY TO MOLEX INC. & SHOULD NOT BE USED WITHOUT WRITTEN PERMISSION		
TITLE		
32 pos. female connector		
DIN 41612 style Q/2+ clip		
Dimensions		
MOLEX MOLEX EUROPE		SHEET NO. DATE
1 OF 1		96/04/25
PART NO.	DWG NO.	SIZE
SDA-85050-0002		B

ECN MG1898-2586	REVISIONS
L +0.4-0.2, Lockbild	
97-09-17 KN	
LTR	FOR PREVIOUS REVISIONS SEE MRI LIST