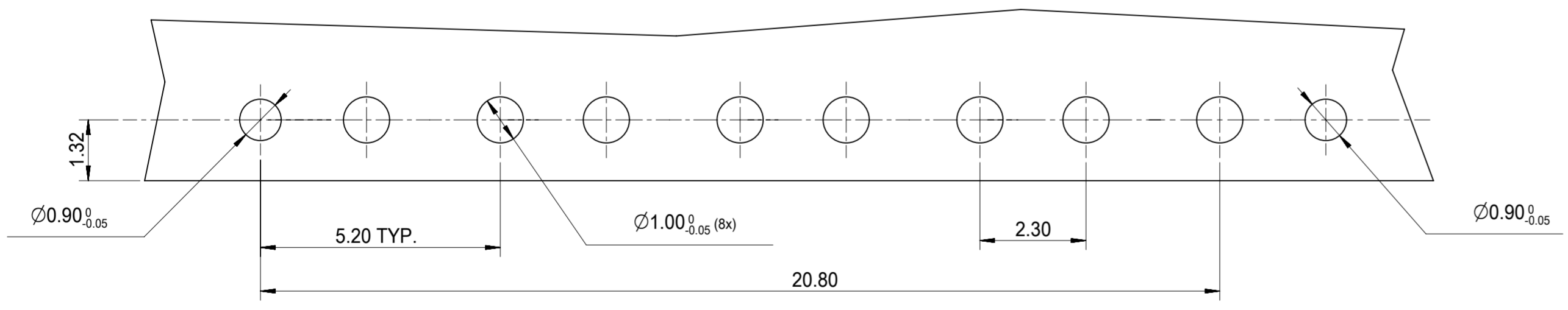
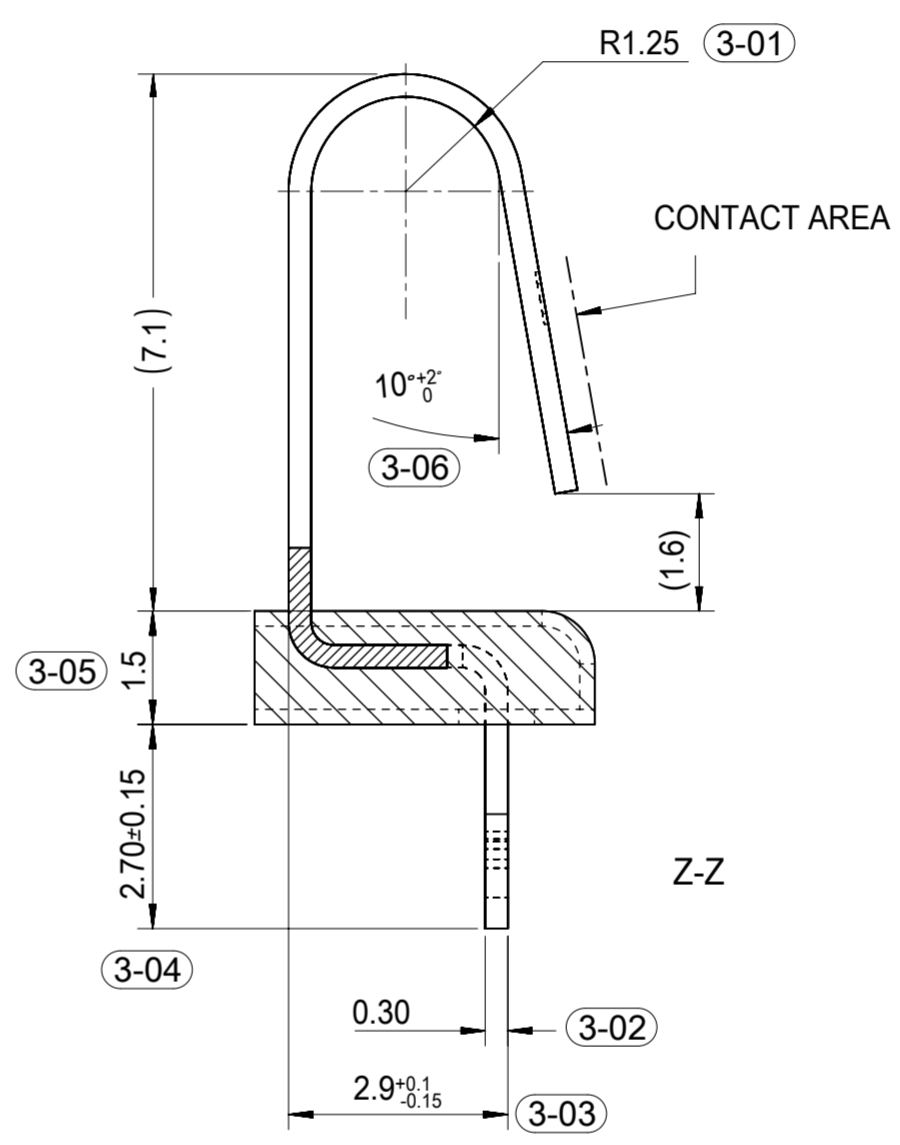
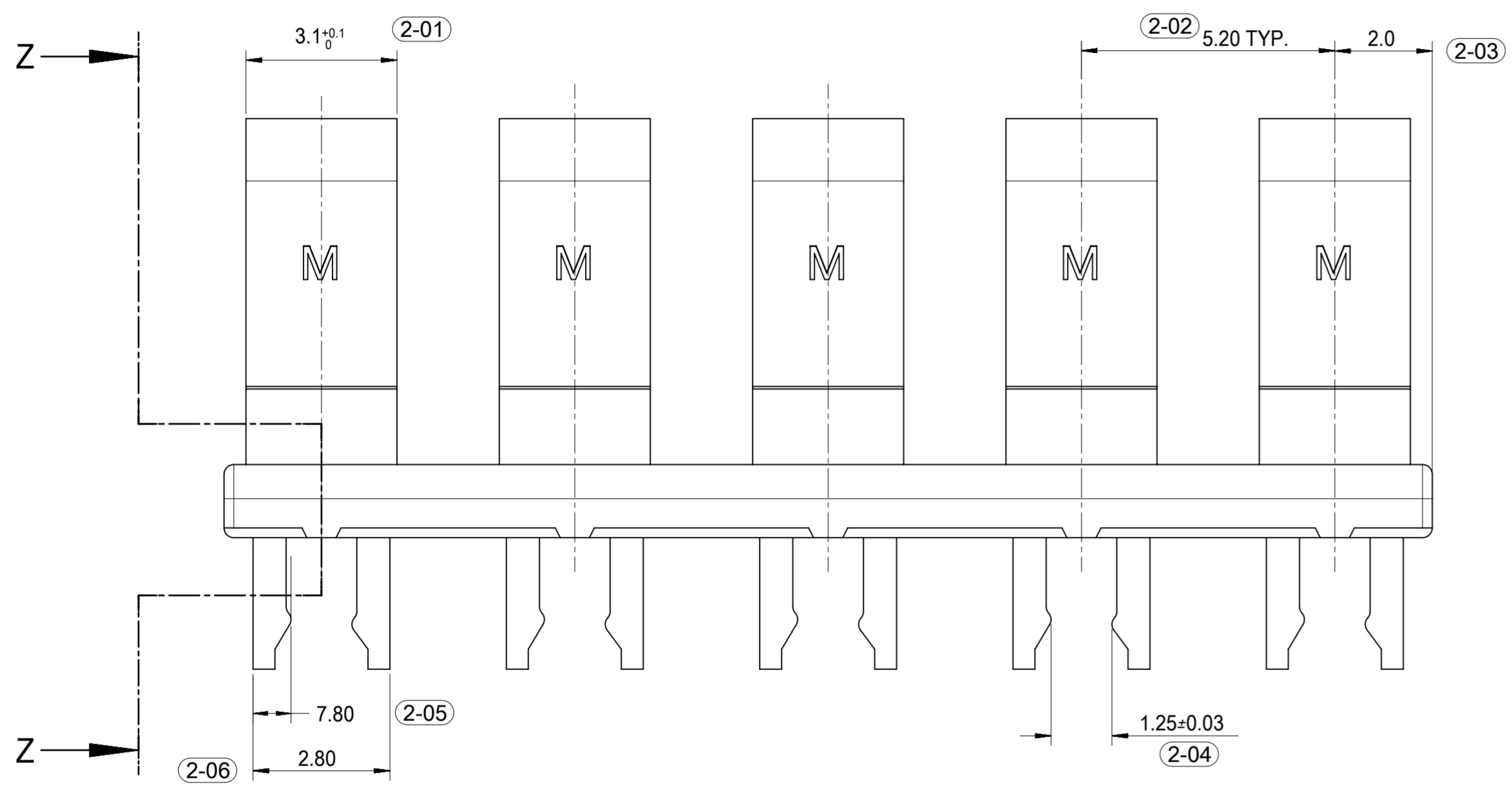
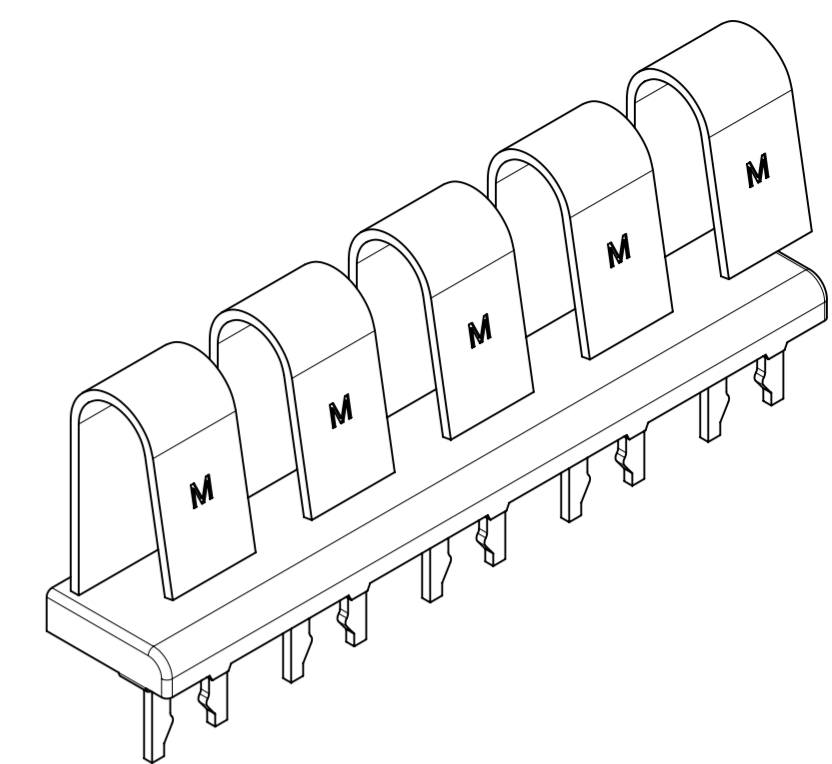


IN THE EVENTUALITY OF PRESENCE OF SHORT SHOTS UP TO 3.5mm² ON ONE END OF THE PLASTIC BODY, THE FUNCTIONALITY OF THE PART IS NOT IMPAIRED AND THE CONNECTOR CAN BE USED WITH NO PROBLEM



RECOMMENDED PCB LAYOUT (PCB THICKNESS: 1.5mm)

- NOTES:
- MATERIALS
 - HOUSING: PA46 30% G.F., V0, BLACK
 - TERMINAL: ALLOY C19010 (STOL 76)
 - TERMINAL PLATING: 4.0um MIN. TIN PREPLATED STRIP
 - PACKAGING: LOOSE PIECES IN CARDBOARD BOXES (1200PCS/BOX; 8 BOXES/CARTON). SPQ: 9600PCS

3D models used:
 - EM-94324-001
 - EM-94234-040

SYMBOLS		THIS DRAWING CONTAINS INFORMATION THAT IS PROPRIETARY TO MOLEX ELECTRONIC TECHNOLOGIES, LLC AND SHOULD NOT BE USED WITHOUT WRITTEN PERMISSION	
∇ = 0	DIMENSION UNITS	SCALE	CURRENT REV DESC: CHANGED DIM. # 3-03
∇ = 0	mm	10:1	
∇ = 0	GENERAL TOLERANCES (UNLESS SPECIFIED)		
∇ = 0	ANGULAR TOL	± °	
∇ = 0	4 PLACES	±	EC NO: 175133
∇ = 0	3 PLACES	±	DRWN: SBARBIERI 2018/04/16
∇ = 0	2 PLACES	± 0.05	CHK'D: PZANGIROLAMI 2018/04/18
∇ = 0	1 PLACE	± 0.1	APPR: PZANGIROLAMI 2018/04/18
∇ = 0	0 PLACES	±	INITIAL REVISION:
∇ = 0	DRAFT WHERE APPLICABLE MUST REMAIN WITHIN DIMENSIONS		DRWN: SBARBIERI 2013/01/07
	FIRST ANGLE PROJECTION	DRAWING	APPR: FBISELLO 2013/06/18
		SERIES	
		A2-SIZE	94234
		MATERIAL NUMBER	942341005
		CUSTOMER	GENERAL MARKET
		SHEET NUMBER	1 OF 1

molex

5 CKT SERIAL CONNECTOR

PRODUCT CUSTOMER DRAWING

DOCUMENT NUMBER	DOC TYPE	DOC PART	REVISION
SD-94234-010	PSD	001	A1

DOCUMENT STATUS	P1	RELEASE DATE	2018/04/18 16:30:28
-----------------	----	--------------	---------------------