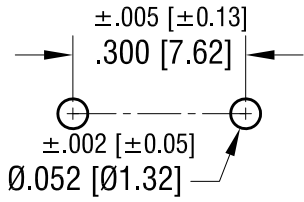
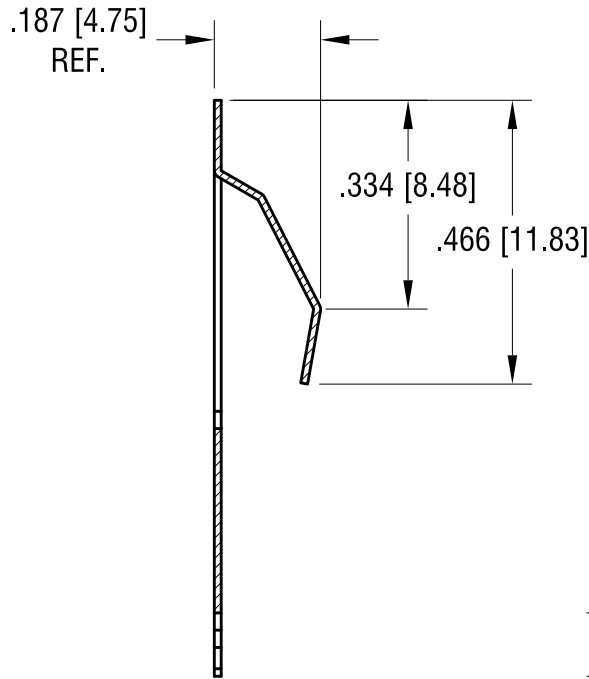
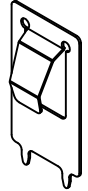


THIS DOCUMENT IS THE PROPERTY OF
KEYSTONE ELECTRONICS CORP. AND
SHALL NOT BE REPRODUCED, DISTRIBUTED
OR USED AS A BASIS FOR MANUFACTURE
WITHOUT PRIOR WRITTEN PERMISSION
FROM KEYSTONE ELECTRONICS CORP.

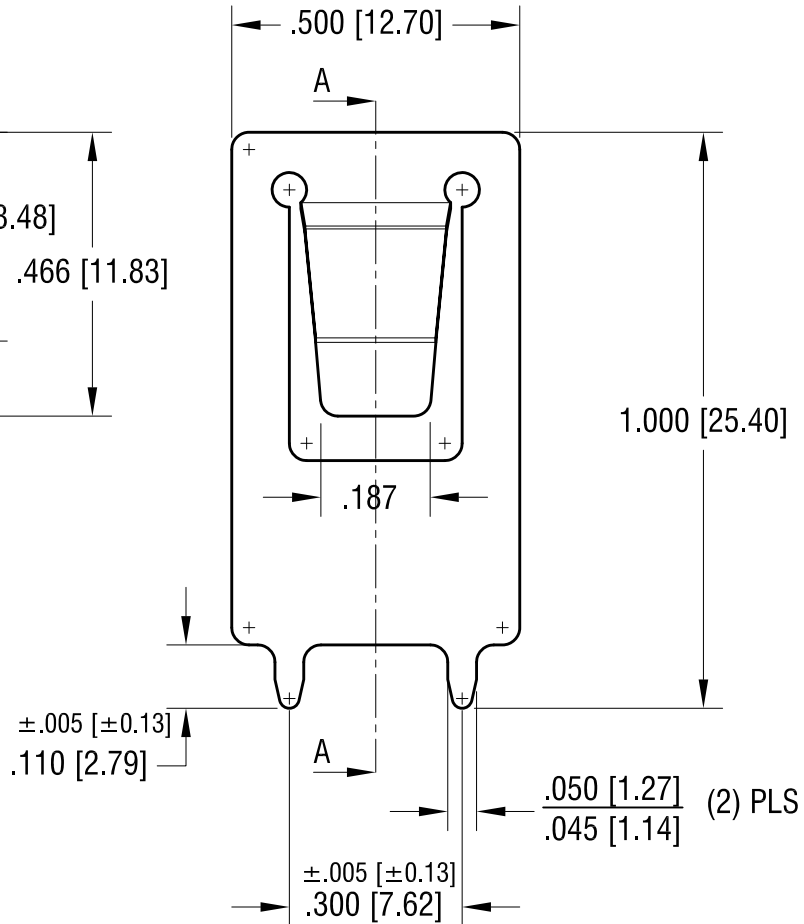
MTG DETAIL



ACTUAL SIZE



SECTION A-A



1.000 [25.40]

(2) PLS

NOTE:

- 1. HEAT TREAT TO SPRING TEMPER

KEYSTONE ELECTRONICS CORP.

www.keyelco.com • NEW HYDE PARK NY 11040 • Tel (516)328-7500

PART NAME

PC BATTERY CONTACT

MATERIAL

.012 [0.30] TH'K ANNEALED SPRING STEEL

FINISH

NICKEL PLATE

DRN BY

BOONE

DATE

3.24.05

APP'D

RH

SCALE

3X

TOLERANCES

INCH [MM]

CODE

DWG NO.

DECIMAL ±.010 [±0.25]

C

ANGULAR ± 1°
UNLESS OTHERWISE SPECIFIED

109-3

DATE	DESCRIPTION	REV.