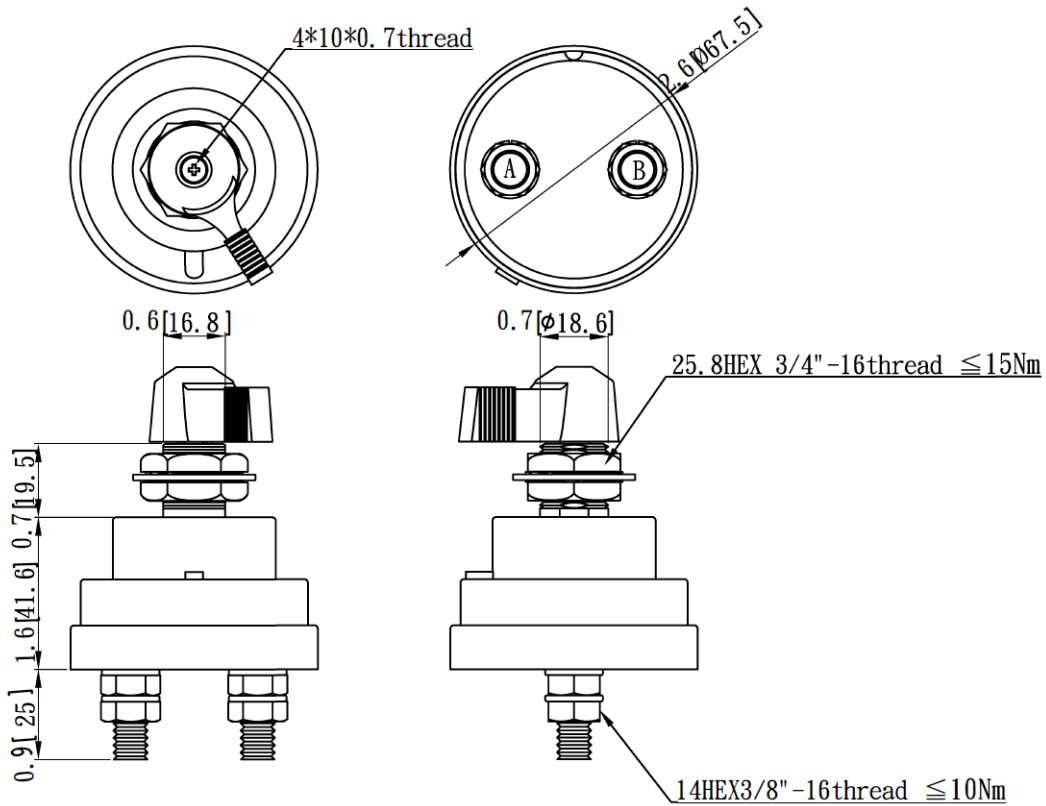
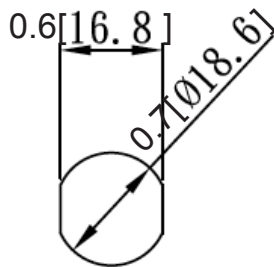


**Mechanical Dimensions: Inches [mm]**

Tolerances  $\pm 0.012$  [0.3] Unless Otherwise Specified

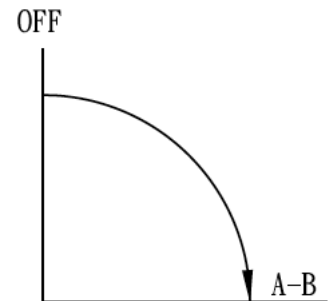


**Mounting Hole**



**Circuit Diagram**

SPST: Does not disconnect alternator or generator field circuit.



**Electrical Specifications**

Continuous Rating	180A 6-36VDC
Intermittent Rating	1000A for 15secs intervals
Insulation Resistance	DC 500V 100M ohm Min
Dielectric Strength	AC 1000V 1 minute
Operation Temperature	-40°C~85°C

**Material Specifications**

Zinc diecast construction
Sealed with O-rings at base and mounting stem
Copper, Silver plated terminals

Rev	Date of issue	Revision Notes	Designed	Approved
A	11-13-2019	Initial Drawing	RC	OF