



Elite

LED Flat Panel Lights

Cloud Design



Elite Cloud

Our LED Cloud Panels create an environment on the ceiling that feels as if you were walking outdoors. These cloud/sky panels have a realistic spread of clouds. Each panel has a separate light distribution. Our LED sky panels are ideal for conference rooms, churches, day cares, nursing homes, hospitals, funeral homes, workout rooms and gymnasiums. They are easy to install and can fit in any 2X4' drop ceiling. An optional surface mount kit is also available.

- High efficacy, up to 130 Lm/W
- 0-10V Dimming capabilities
- Glare free lighting with remarkable light uniformity
- Super slim design with durable construction
- Optional hanging or surface mounting accessories available
- Built-in standard earthquake clips
- 5 year warranty
- Universal 120-277Vac (50-60Hz)

Elite

LED Flat Panel Lights

Cloud Design

Elite

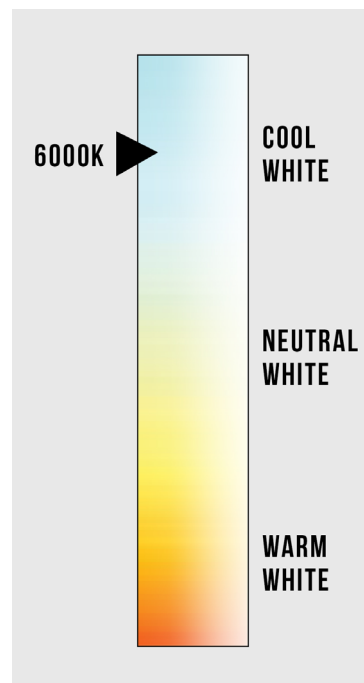
SKU #	Model #s	Watts	Input Voltage	CCT	Length	Lumens	Certifications
152541	152541-A1, 152541-A2, 152541-A3, 152541-B1, 152541-B2, 152541-B3	49W	120-277Vac	6000K	2X4'	Varies	UL



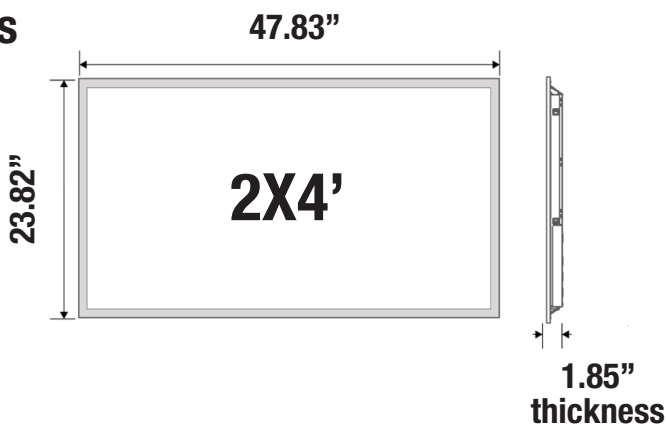
Specifications

Voltage	120-277 AC voltage (50-60Hz)
Dimming	0-10V Dimming capabilities
Operating Temperature Range	-4°F to 104°F
Ceiling Type	Exposed T-bar ceiling
Light Source	Non-replaceable LED
CRI	>80
L70 / L90	>75,000h / >40,000h

CORRELATED COLOR TEMPERATURE (CCT)



Dimensions



(866) 786-1117 • www.BeyondLEDTechnology.com

Due to continuous product improvement, information in this document is subject to change.

Elite

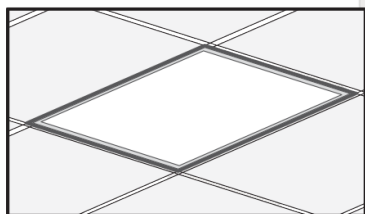
LED Flat Panel Lights

Cloud Design

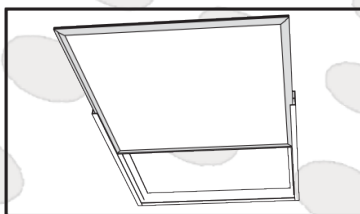
Pre-Installation

Mounting Options

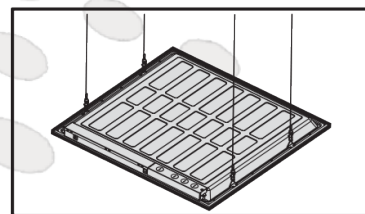
Recessed



Surface
(requires Mounting Kit)



Pendant/Suspension
(requires Mounting Kit)



Mounting Kit Description

Mounting Kit Description

4-Cable Suspension Kit

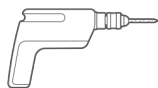
Mounting Kit Description

2x4 Surface

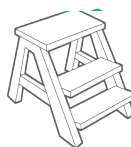
Tools Required



Safety goggles



Drill



Ladder



Electrical tape



Phillips screwdriver



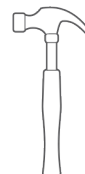
Flathead screwdriver



Wire cutters



Wire strippers



Hammer

Hardware Included



AA - Wire nuts x5

Before You Begin

1. Turn off the electricity at the circuit breaker or fuse box.
2. Choose your installation option:
 - Installation Option 1 - Flush Mount
 - Installation Option 2 - Surface Mount (Sold Separately)
 - Installation Option 3 - Pendant/Suspension Mount (Sold Separately)

Elite

LED Flat Panel Lights

Cloud Design

Installation Options

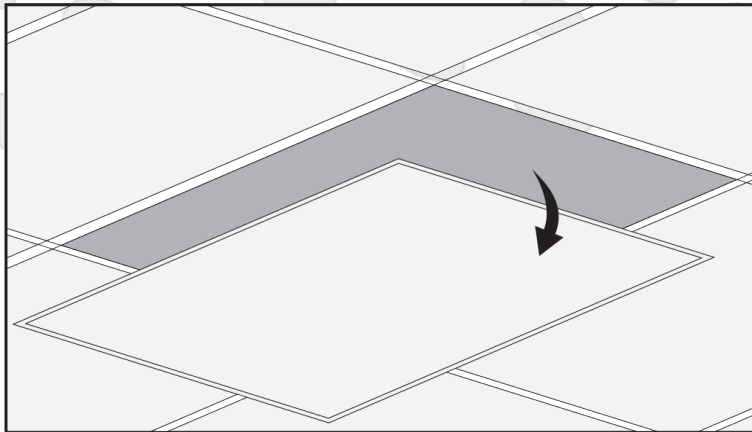
FLUSH MOUNT INSTALLATION



WARNING: Before you begin, turn the power off at the circuit breaker or fuse box to avoid electric shock.

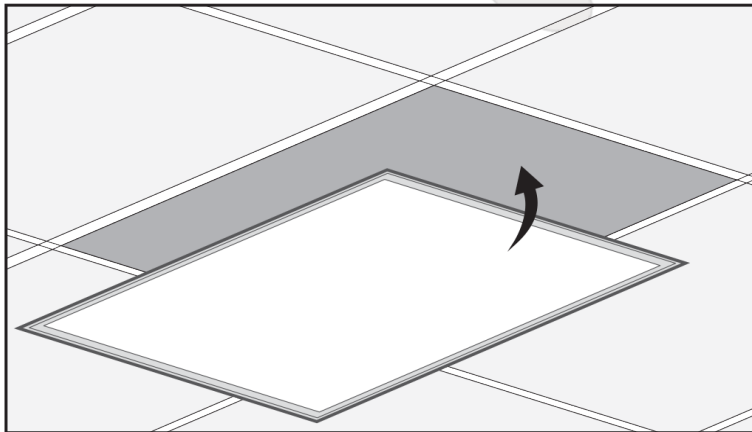
1 Removing the ceiling panel

- a. Remove the plasterboard panel from the ceiling.



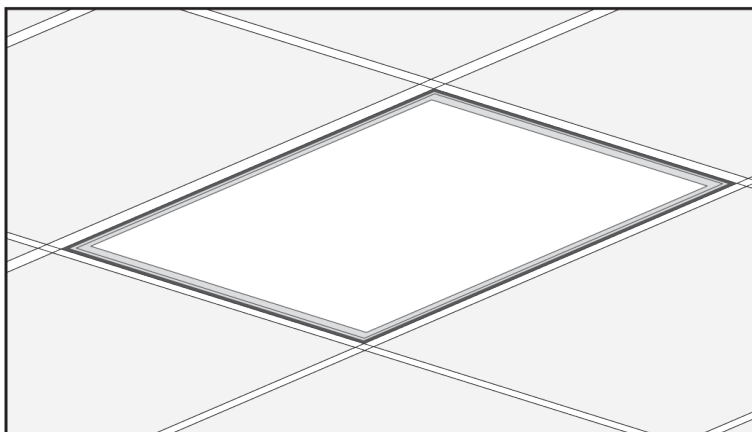
2 Connecting the wires

- a. Lift the fixture to the ceiling.
- b. Follow the steps in the **Making the Electrical Connections** section of this manual.



3 Completing the installation

- a. Slide the fixture into place in the ceiling.
- b. Restore power to the fixture.



Elite

LED Flat Panel Lights

Cloud Design

Mounting & Accessory Kits

RECESSED INSTALLATION



1. Pull up the earthquake hook until it is perpendicular to the panel backing.(See picture 1)
2. Bend the hook arm until it is perpendicular to the hook body. (See picture 2)
3. Hook the panel to the T-Bar until it is full supported.(See picture 3)



Earthquake hook



Elite

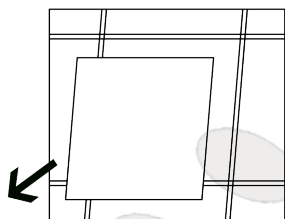
LED Flat Panel Lights

Cloud Design

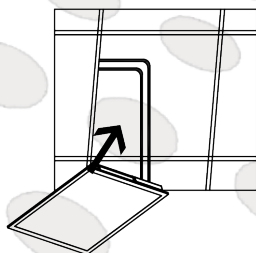
Mounting & Accessory Kits

T-BAR MOUNTING

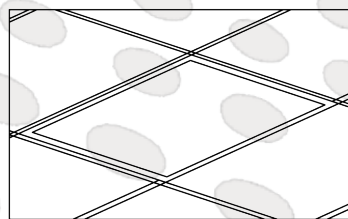
Available for 2x4 versions only



1. Remove the plaster board from the ceiling.



2. Fix the panel into ceiling.



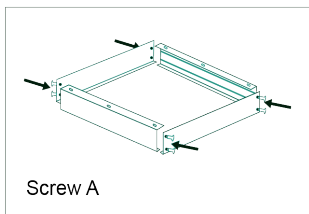
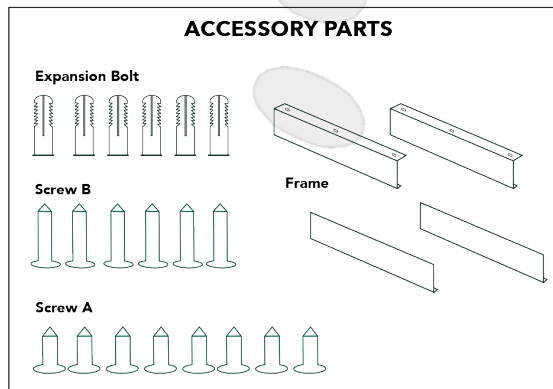
3. Installation finished.

* T-bar mounting clips included
* Full installation instructions included

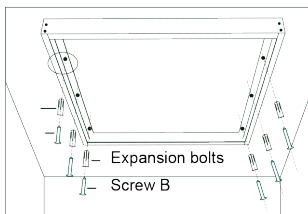
SURFACE MOUNTING KIT (OPTIONAL)

Available for 2x4 versions only

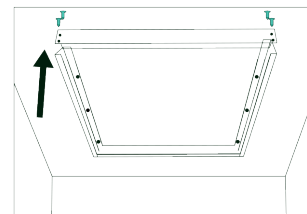
Accessory Parts List	Quantity	Size	Material
Screw A (KS 1X10)	8	0.04 inches diameter, 0.40 inches length	Zinc Coated Iron
Screw B (KA 4X25)	6	0.16 inches diameter, 0.98 inches length	Zinc Coated Iron
Expansion Bolt	6	0.24 inches diameter, 1.18 inches length	PVC
Frame	4	24.17 inches length, 2.44 inches height	Aluminum



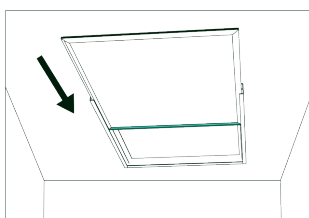
1. Assemble the four sides with 2 X screw A each to create the frame.



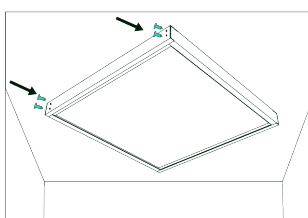
2. Fix the frame to the ceiling with screw B and expansion bolts.



3. Once securely mounted to the ceiling disassemble one end (without mounting screws to the ceiling).



4. Insert the panel into the frame square.



5. Reassemble the remaining end with screw A.

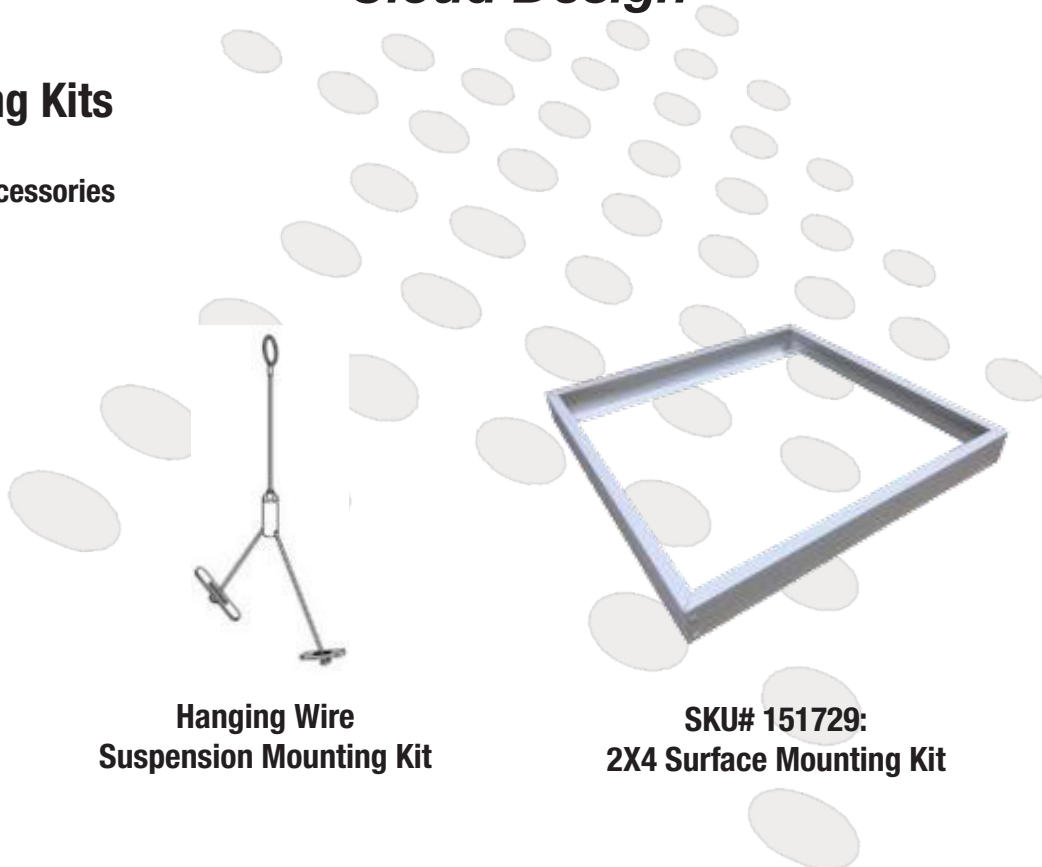
Elite

LED Flat Panel Lights

Cloud Design

Mounting Kits

Optional Accessories



**Hanging Wire
Suspension Mounting Kit**

**SKU# 151729:
2X4 Surface Mounting Kit**



Elite

LED Flat Panel Lights

Cloud Design

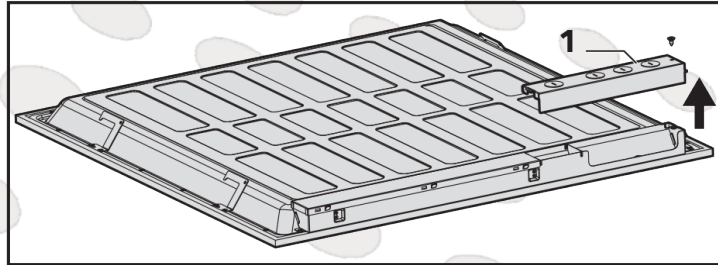
Making the Electrical Connections



WARNING: Before you begin, turn the power off at the circuit breaker or fuse box to avoid electric shock.

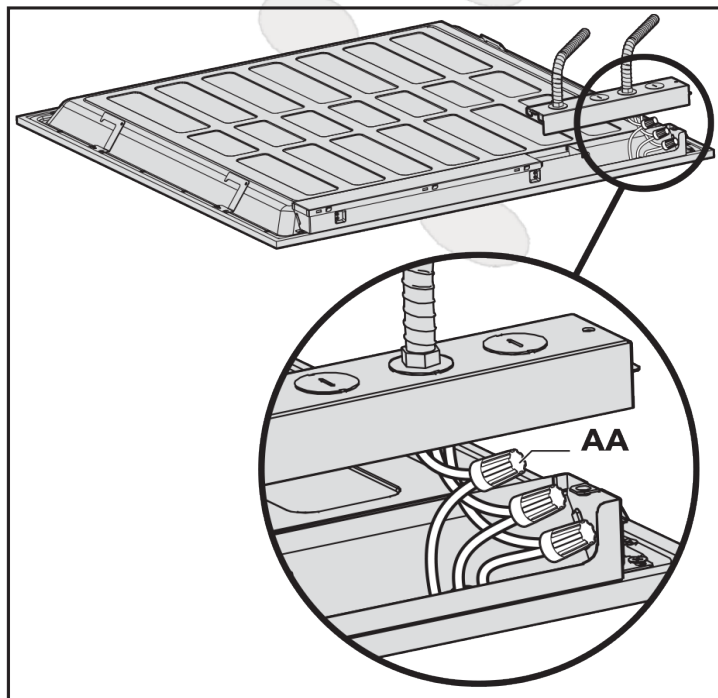
1 Open the junction box

- Unscrew and remove the junction box cover (1) from the fixture.



2 Connect the supply wires

- Connect the green ground wire from the fixture to the supply ground wire.
- Connect the white wire from the fixture to the supply white wire (neutral wire).
- Connect the black wire from the fixture to the supply black wire (live wire).
- Secure the three connections using three wire nuts (AA).
- Wrap the three wire connections with electrical tape for a more secure connection.



Elite

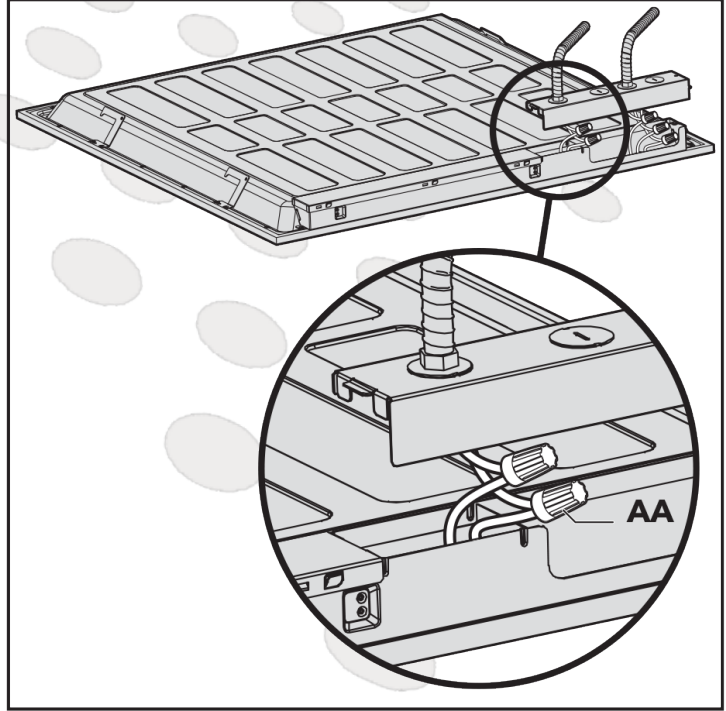
LED Flat Panel Lights

Cloud Design

Making the Electrical Connections (continued)

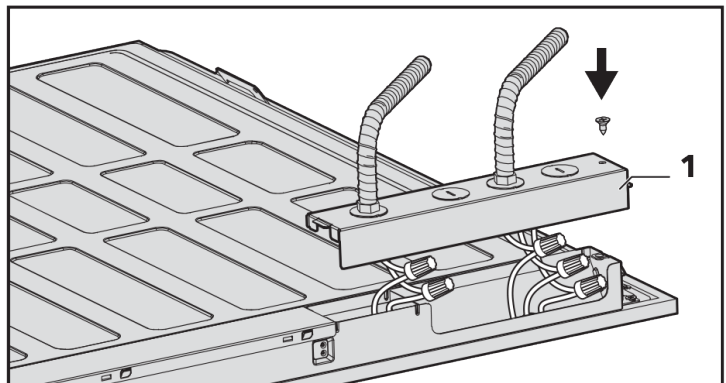
3 Connect the dimming wires

- Connect the purple wire from the fixture to the purple (DIM+) supply wire.
- Connect the gray wire from the fixture to the gray (DIM-) supply wire.
- Secure the two connections using two wire nuts (AA).
- Wrap the two wire connections with electrical tape for a more secure connection.



4 Reinstall the junction box cover

- Position the wires back inside the junction box.
- Reinstall the junction box cover (1).



Elite

LED Flat Panel Lights

Cloud Design

Safety Information



IMPORTANT: THIS PRODUCT MUST BE INSTALLED IN ACCORDANCE WITH THE APPLICABLE NATIONAL ELECTRICAL CODE AND LOCAL BUILDING CODES BY A PERSON FAMILIAR WITH THE CONSTRUCTION AND OPERATION OF THE PRODUCT AND THE HAZARDS INVOLVED.

SAVE THESE INSTRUCTIONS.



WARNING: Before installation or servicing, turn the power OFF at the circuit breaker or fuse. Place tape over the circuit breaker switch and verify power is OFF at the light fixture.



WARNING: Ground the fixture to avoid potential electric shock.



WARNING: Wear gloves when handling the fixture as edges are sharp.



CAUTION: Connect the fixture to a 120/277 Volt, 60 Hz power source. Any other connection voids the warranty.

NOTICE: FCC Regulations state that any unauthorized changes or modifications to this equipment not expressly approved by the manufacturer could void the user's authorization to operate this equipment.



IMPORTANT: The device is tested and found to comply with Part 15 of the FCC Rules. Operation is subject to two conditions: (1) This device may not cause harmful interference and, (2) this device must accept any interference received, including any interference that may cause undesired operation.

This equipment has been tested and found to comply with the limits for a Class A digital device, pursuant to Part 15 of the FCC rules. These limits are designed to provide reasonable protection against harmful interference when the equipment is operated in a commercial environment.

The equipment generates, uses, and can radiate radio frequency energy and, if not installed and used in accordance with the instruction manual, may cause harmful interference to radio communications. However, there is no guarantee that interference will not occur in a particular installation. If this equipment does cause harmful interference to radio or television reception, which can be determined by turning the equipment off and on, the user is encouraged to try to correct the interference by one or more of the following measures:

- Reorient or relocate the receiving antenna.
- Increase the separation between the equipment and receiver.
- Connect the equipment into an outlet on a circuit different from that to which the receiver is connected.
- Consult the dealer or an experienced radio/TV technician for help.

Elite

LED Flat Panel Lights

Cloud Design

Packing

SKU #	Size	Pcs/Box	Dimensions	Weight	Pallet Quantity	Pallet Weight	Pallet Dimensions
152541	2X4	4	49"X26"X9"	41 Lbs.	60 Pcs	645 Lbs.	52"X50"X84"

