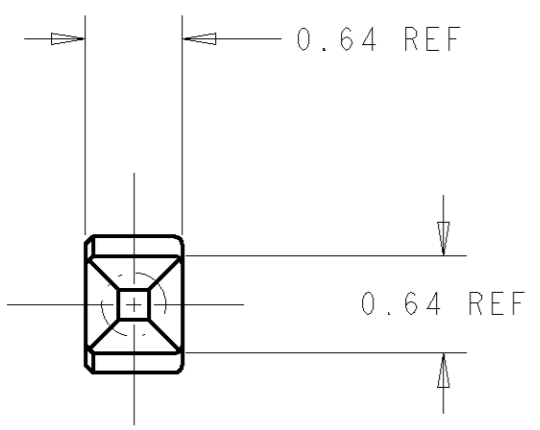
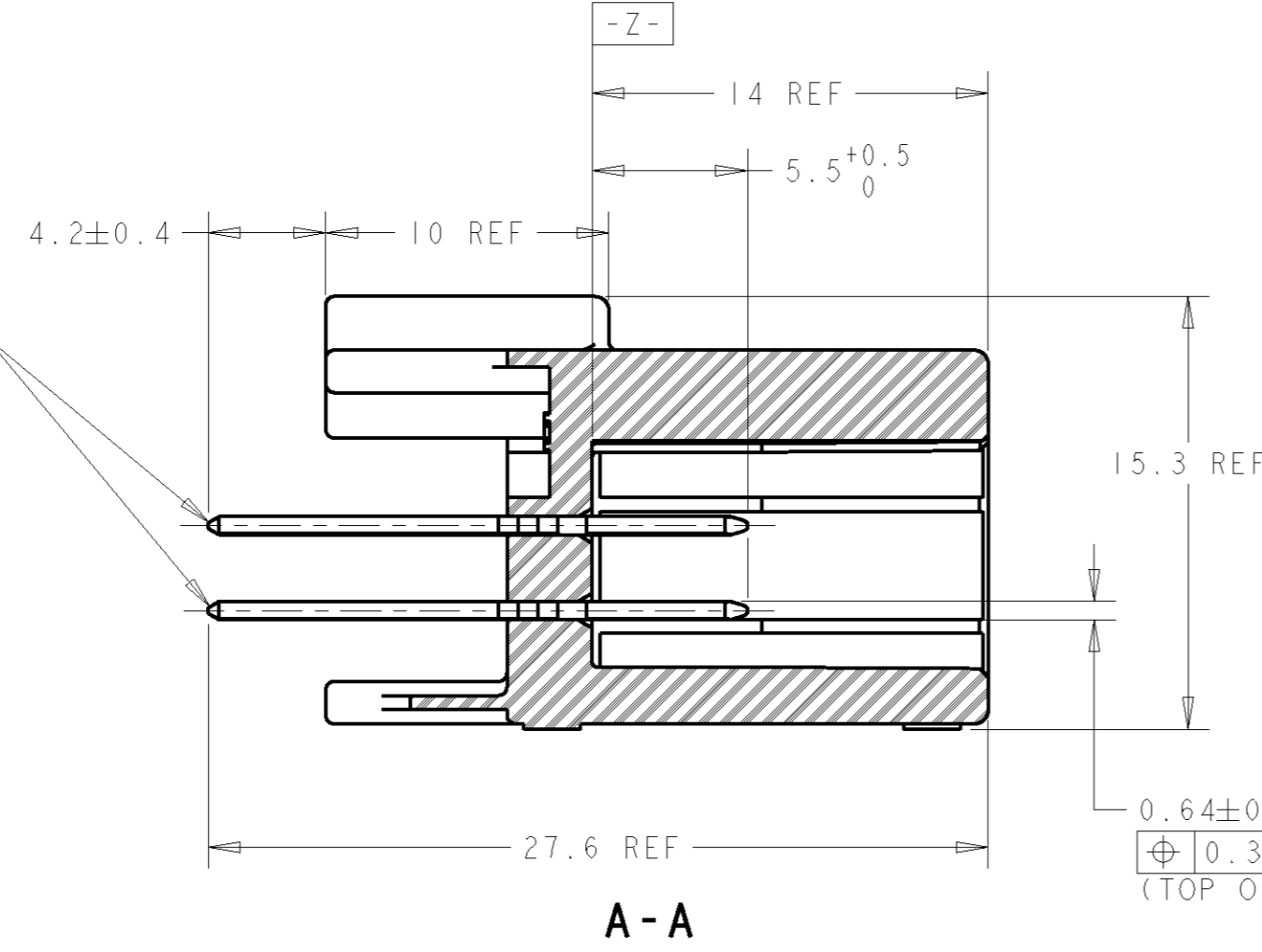
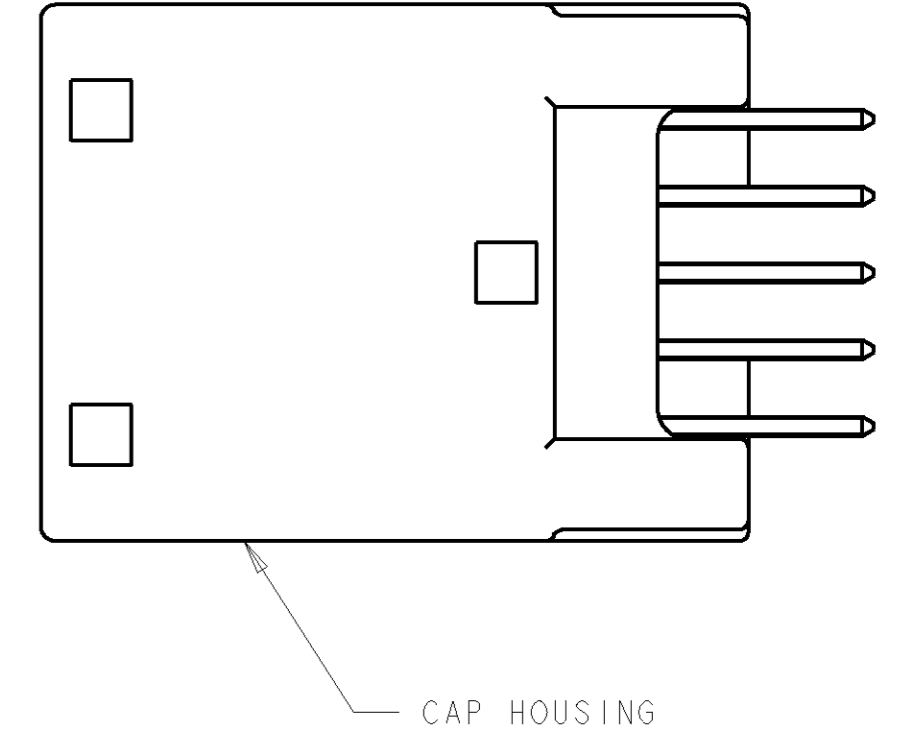
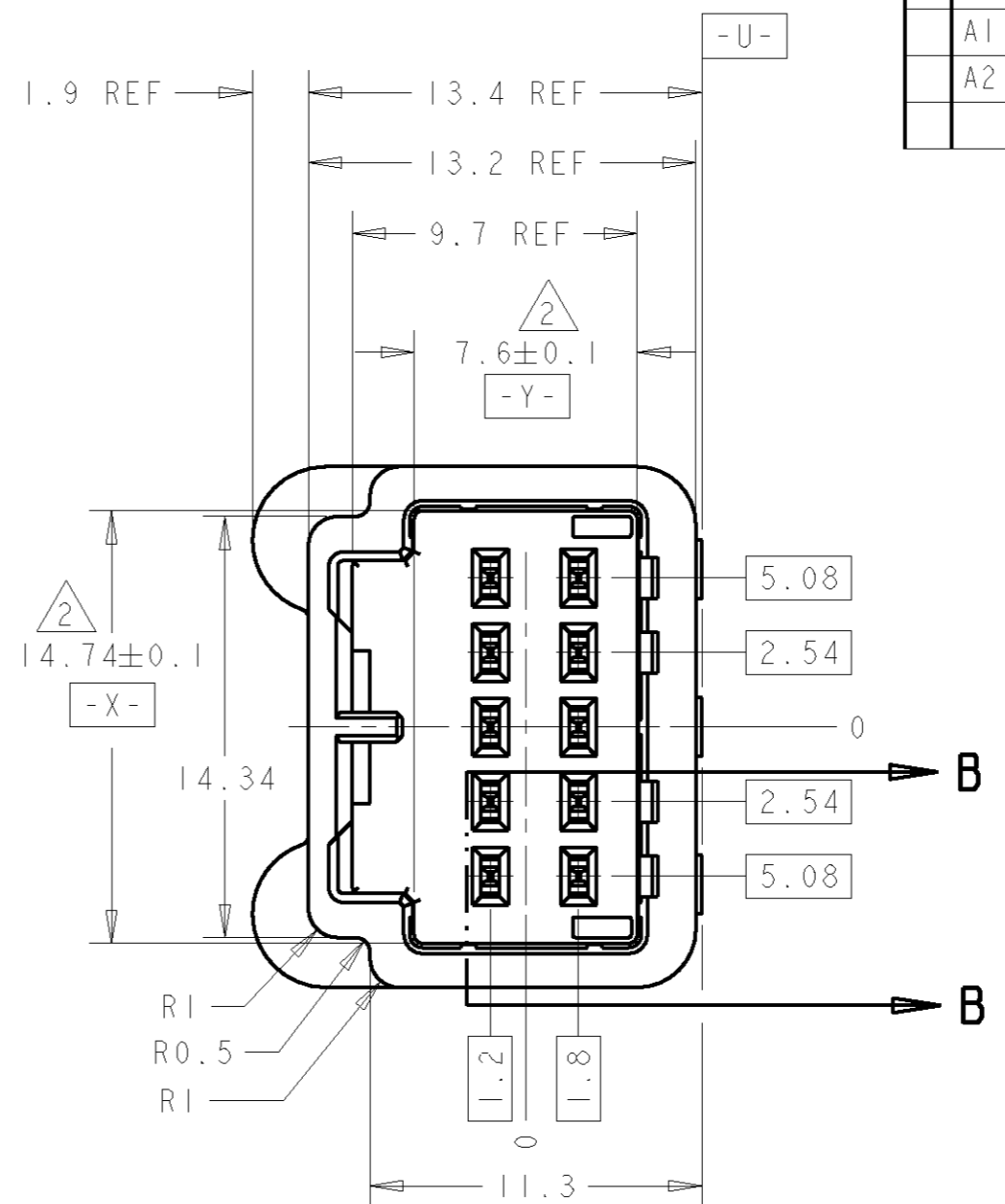
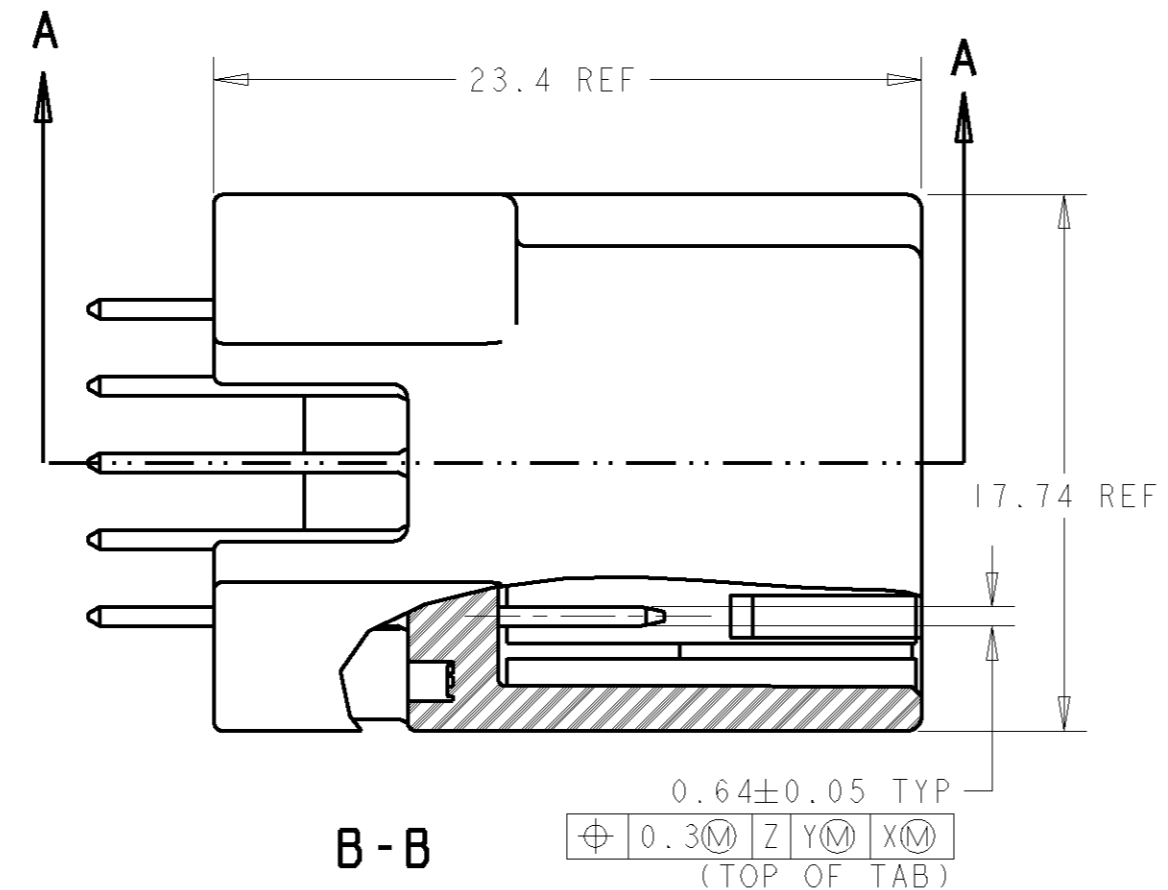
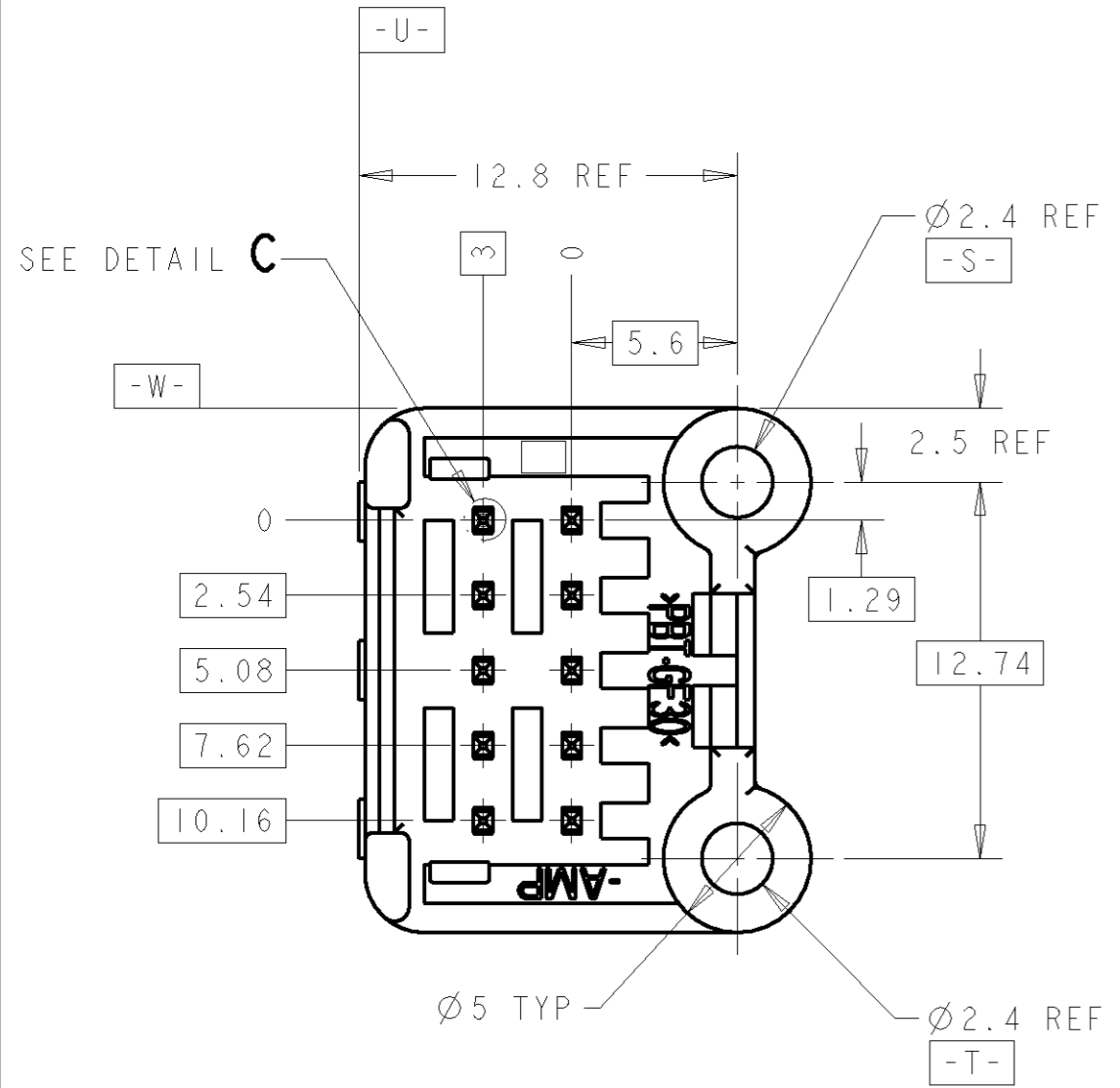


THIS DRAWING IS UNPUBLISHED. RELEASED FOR PUBLICATION 20
 © COPYRIGHT 20 BY TYCO ELECTRONICS CORPORATION. ALL RIGHTS RESERVED.

REVISIONS				
P	LTR	DESCRIPTION	DATE	APVD
A		RELEASED PER EC 0K80-0255-01	28SEP2001	RGV GEM
A1		REVISED PER ECR 07-000917	29MAR2007	DLD SSA
A2		REVISED PER ECR 07-010812	10MAY2007	DLD SSA



DETAIL C
SCALE 20:1

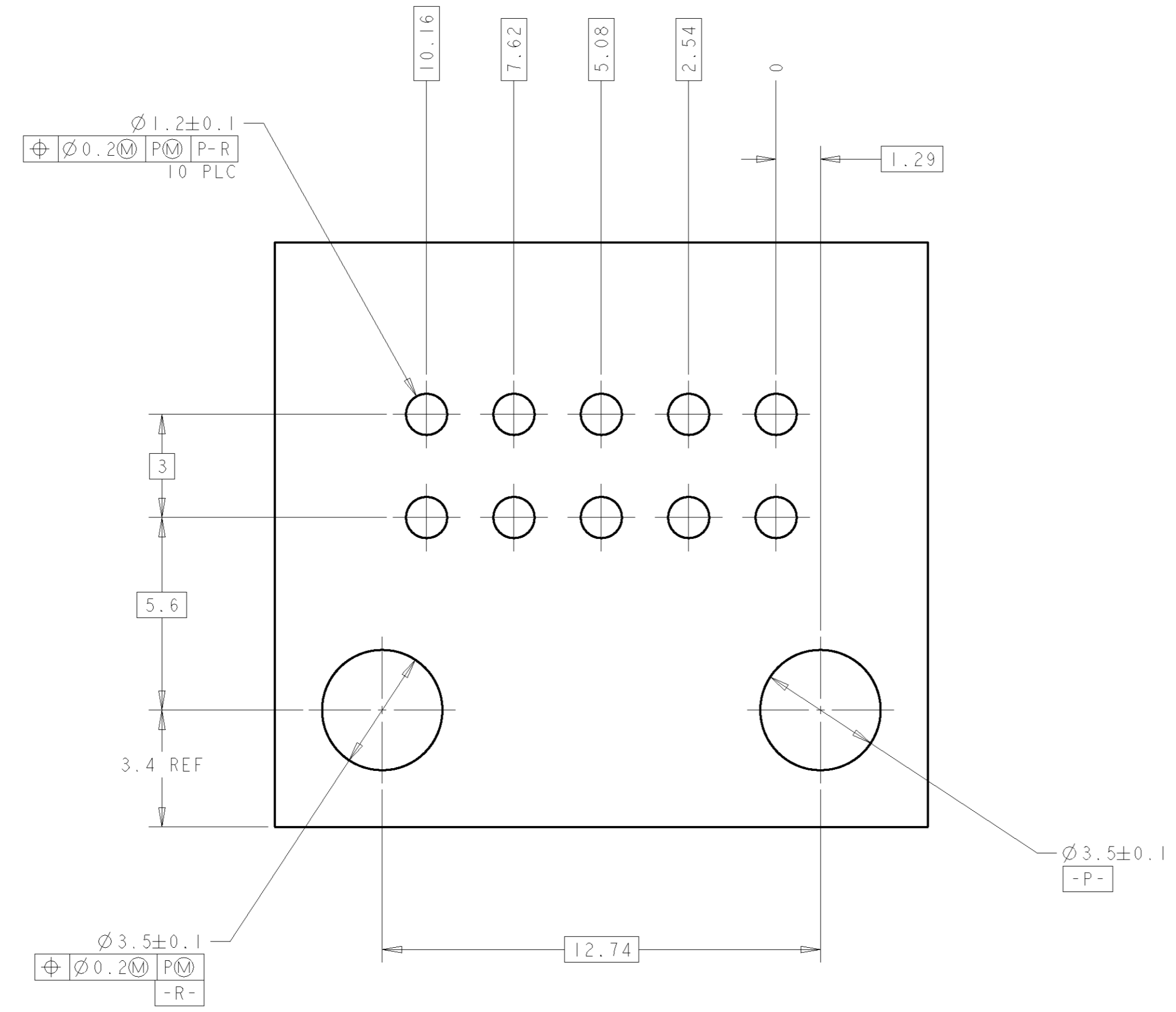
- TO BE MATED SMOOTHLY WITH THE PLUG HOUSING ASSEMBLY, P/N 936163-2.
- MEASURED AT 6mm FROM DATUM -Z-.
- AS FOR HANDLING OF PRODUCT, FOLLOW INSTRUCTION SHEET #411-5928.
- RECOMMENDED MOUNTING SCREW: PAN HEAD, TYPE #2 TAPPING SCREW OF 3mm NOMINAL DIAMETER, LENGTH - 6mm, FOR 1.6 BOARD THICKNESS. IN JIS B1115, B1122 (REF. TIGHTENING TORQUE: 0.4Nm MAX.).

MATERIAL	FINISH	MATERIAL	COLOR	PART NUMBER
BRASS	TIN	PCT	BLACK	936166-3
BRASS	TIN	PBT	BLACK	936166-2

DIMENSIONS: mm 		TOLERANCES UNLESS OTHERWISE SPECIFIED: 0 PLC ±0.3 1 PLC ±0.3 2 PLC ±0.15 3 PLC ± 4 PLC ± ANGLES ±0°30' FINISH SEE TABLE		DWN R. VESTAL 17MAY2001 CHK G. MILLER 17MAY2001 APVD G. MILLER 17MAY2001 PRODUCT SPEC - APPLICATION SPEC - WEIGHT -		Tyco Electronics Harrisburg, PA 17105-3608 NAME 025 SERIES I/O CONNECTOR 10 POSITION CAP HOUSING ASSEMBLY V-TYPE (2.54mm PITCH) SIZE A2 CAGE CODE 00779 DRAWING NO. 936166 RESTRICTED TO - SCALE 4:1 SHEET 1 OF 2 REV A2	
--------------------	--	--	--	--	--	--	--

THIS DRAWING IS UNPUBLISHED. RELEASED FOR PUBLICATION 20
 © COPYRIGHT 20 BY TYCO ELECTRONICS CORPORATION. ALL RIGHTS RESERVED.

LOC	DIST	REVISIONS			
P	LTR	DESCRIPTION	DATE	DWN	APVD
FX	00	-	SEE SHEET 1	-	-



P.C. BOARD LAYOUT
 (RECOMMENDED BOARD THICKNESS: 1.57mm)
 SCALE 8:1

<small>THIS DRAWING IS A CONTROLLED DOCUMENT FOR TYCO ELECTRONICS CORPORATION IT IS SUBJECT TO CHANGE AND THE CONTROLLING ENGINEERING ORGANIZATION SHOULD BE CONTACTED FOR THE LATEST REVISION.</small>		DWN R. VESTAL 17MAY2001 CHK G. MILLER 17MAY2001 APVD G. MILLER 17MAY2001	Tyco Electronics Tyco Electronics Harrisburg, PA 17105-3608
DIMENSIONS: mm 	TOLERANCES UNLESS OTHERWISE SPECIFIED: 0 PLC ±0.3 1 PLC ±0.3 2 PLC ±0.15 3 PLC ± 4 PLC ± ANGLES ±0° 30' FINISH -	PRODUCT SPEC - APPLICATION SPEC - WEIGHT -	NAME 025 SERIES I/O CONNECTOR 10 POSITION CAP HOUSING ASSEMBLY V-TYPE (2.54mm PITCH) SIZE A2 CAGE CODE 00779 DRAWING NO. C-936166 RESTRICTED TO - SCALE 4:1 SHEET 2 OF 2 REV A2
MATERIAL -		CUSTOMER DRAWING	