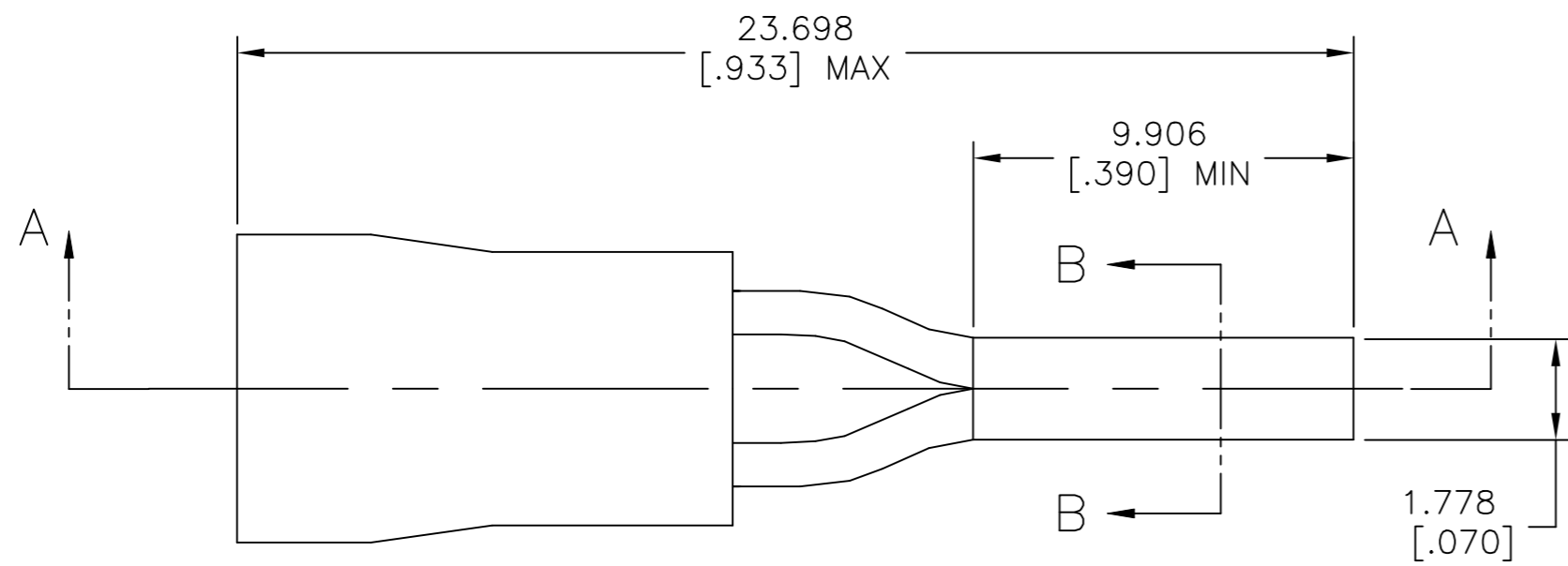


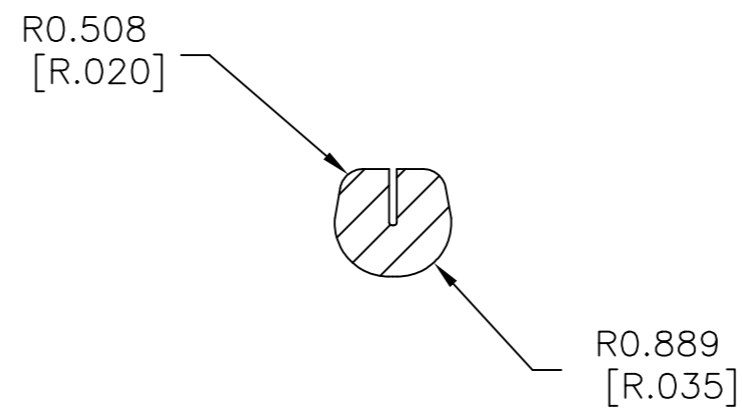
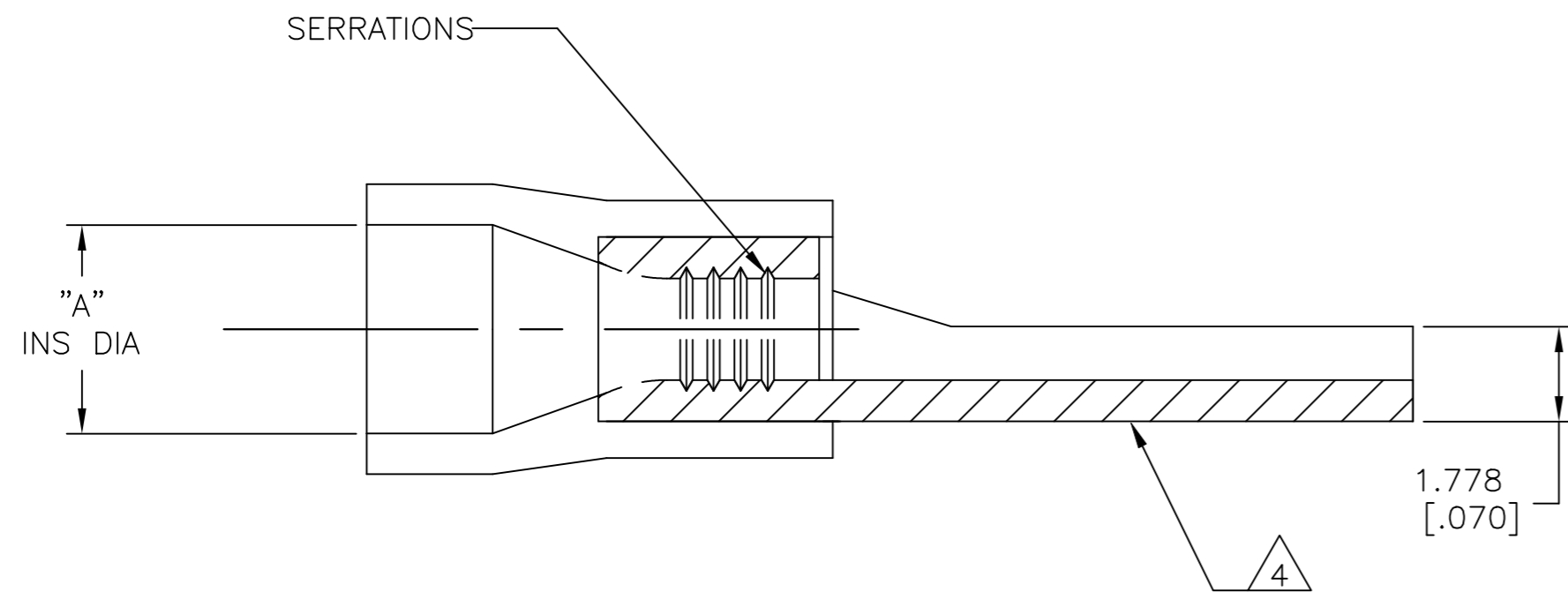
THIS DRAWING IS UNPUBLISHED. RELEASED FOR PUBLICATION  
 © COPYRIGHT - - ALL RIGHTS RESERVED.

REVISIONS					
P	LTR	DESCRIPTION	DATE	DWN	APVD
	G2	REVISED PER ECO-14-003208	17MAR2014	NK	DR
	G3	REVISED PER ECO-18-002275	19FEB2018	RS	DR



- 1 WIRE SIZE IS #16-#14 AWG
- 2 SUPERSEDED BY 165171
- 3 OBSOLETE - NO REPLACEMENT
- 4 STAMP AMP 16-14\* APPROX AS SHOWN
- 5 MAX RECOMMENDED OPERATING TEMPERATURE 105°C[221°F]
- 6 MATERIAL: BODY-COPPER PER ASTM B152 INSULATION-PVC
- 7 FINISH: BODY-TIN PLATE .00254[.000100] MIN EXT THK PER ASTM B454 INSULATION-COLOR-BLUE

2.921-4.318[.115-.170]	---	165171-1	2
2.921-4.826[.115-.190]	2-165171-0	165171	3
INSUL DIA RANGE. "A"	P/N ON TAPE	PART NO.	



SECTION A-A

SECTION B-B

AMP WIRE RANGE	FILE E13288
16-14 AWG STRANDED	16-14 AWG STRANDED

1000	LOOSE PIECE	165171
QTY	PACKAGE TYPE	PART NO

THIS DRAWING IS A CONTROLLED DOCUMENT.		DWN jr ruth 31MAY07	TE Connectivity Ltd.	
DIMENSIONS: mm [INCHES]		CHK T MICHIELUTTI 31MAY07	NAME TERMINAL, WIRE PIN, PLASTI-GRIP, 16-14 AWG	
TOLERANCES UNLESS OTHERWISE SPECIFIED: 0 PLC ± - 1 PLC ± - 2 PLC ± - 3 PLC ± 0.203[.008] 4 PLC ± - ANGLES ± 1°		APVD T MICHIELUTTI 31MAY07	PRODUCT SPEC UL486 A-B	
MATERIAL		FINISH	114-2161	RESTRICTED TO
6		7	SIZE A2	SCALE 8:1
CUSTOMER DRAWING		WEIGHT -	CAGE CODE 00779	DRAWING NO C=165171
		SHEET 1 of 1		REV G3