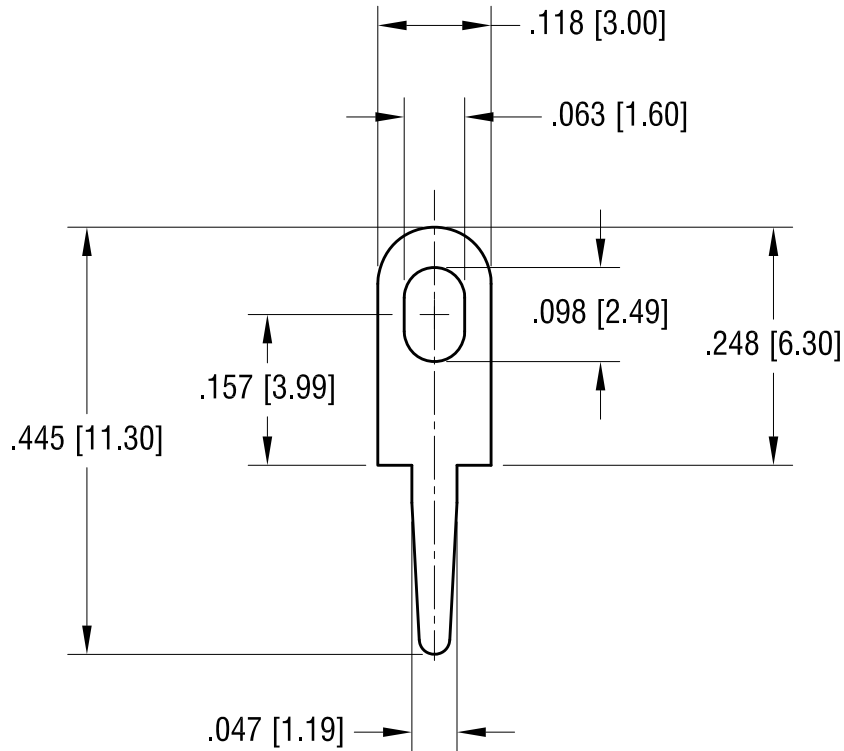


THIS DOCUMENT IS THE PROPERTY OF
KEYSTONE ELECTRONICS CORP. AND
SHALL NOT BE REPRODUCED, DISTRIBUTED
OR USED AS A BASIS FOR MANUFACTURE
WITHOUT PRIOR WRITTEN PERMISSION
FROM KEYSTONE ELECTRONICS CORP.

ACTUAL SIZE



NOTE:

1. MOUNTING HOLE: \emptyset .052 [\emptyset 1.32]

KEYSTONE ELECTRONICS CORP.

www.keyelco.com • NEW HYDE PARK, NY 11040 • Tel (516) 328-7500

PART NAME		PC TEST POINT TERMINAL	
MATERIAL		.025 [0.63] TH'K BRASS	
FINISH	MATTE TIN PLATE	DRN BY	BOONE
		APP'D	RH
		DATE	7.31.95
		SCALE	5X
TOLERANCES	INCH [MM]	CODE	DWG NO.
DECIMAL	\pm .005 [\pm 0.13]	C	4952
ANGULAR	\pm 1°		
UNLESS OTHERWISE SPECIFIED			

7.01.09	CHANGE AS PER ECN 09-093	A
DATE	DESCRIPTION	REV.