

# XACS411

spring return contact block - 1 NO - front mounting, 30 or 40 mm centres



## Main

|                               |                              |
|-------------------------------|------------------------------|
| Range of Product              | Harmony XAC                  |
| Product or Component Type     | Contact block                |
| Component name                | XACS                         |
| Electrical circuit type       | Control circuit              |
| Contact block type            | Single                       |
| Type of operator              | Spring return                |
| Product Compatibility         | ZA2B... head<br>XACA         |
| Mechanical interlocking       | Without mechanical interlock |
| Contacts type and composition | 1 NO                         |
| Mounting of block             | Front mounting               |
| Contact operation             | Slow-break                   |

## Complementary

|  |  |
|--|--|
| Connections - terminals                                  | Screw clamp terminals, 1 x 2.5 mm <sup>2</sup> with or without cable end<br>Screw clamp terminals, 2 x 1.5 mm <sup>2</sup> with or without cable end   |
| Horizontal fixing centres                                | 1.57 in (40 mm)  |
| Vertical fixing centres                                  | 1.18 in (30 mm)  |
| Mechanical durability                                    | 1000000 cycles   |
| Contact code designation                                 | A300 AC-15, U <sub>e</sub> = 240 V, I <sub>e</sub> = 3 A IEC 60947-5-1 appendix A<br>Q300 DC-13, U <sub>e</sub> = 250 V, I <sub>e</sub> = 0.27 A IEC 60947-5-1 appendix A  |
| [I <sub>th</sub> ] conventional enclosed thermal current | 10 A   |
| [U <sub>i</sub> ] rated insulation voltage               | 500 V 3)IEC 60947-1  |
| [U <sub>imp</sub> ] rated impulse withstand voltage      | 6 kV IEC 60947-1   |
| Maximum resistance across terminals                      | 25 MOhm  |
| Short-circuit protection                                 | 10 A fuse protection cartridge gG  |
| Rated operational power in W                             | 42 W DC-13 1000000 cycles 60 cyc/mn 120 V 0.5 inductive IEC 60947-5-1 appendix C<br>45 W DC-13 1000000 cycles 60 cyc/mn 48 V 0.5 inductive IEC 60947-5-1 appendix C<br>60 W DC-13 1000000 cycles 60 cyc/mn 24 V 0.5 inductive IEC 60947-5-1 appendix C                             |
| Rated operational power in VA                            | 140 VA AC-15 1000000 cycles 60 cyc/mn 24 V 50/60 Hz 0.5 inductive<br>385 VA AC-15 1000000 cycles 60 cyc/mn 48 V 50/60 Hz 0.5 inductive<br>455 VA AC-15 1000000 cycles 60 cyc/mn 230 V 50/60 Hz 0.5 inductive<br>525 VA AC-15 1000000 cycles 60 cyc/mn 127 V 50/60 Hz 0.5 inductive |
| Terminals description ISO n°1                            | (13-14)NO  |
| Terminal identifier                                      | (13-14)NO<br>(11-12)NC   |
| Net Weight   | 0.15 lb(US) (0.07 kg)  |

## Environment

|                                       |  |
|---------------------------------------|--|
| Standards                             | CSA C22.2 No 14<br>EN 60947-5-1<br>IEC 60947-5-1 |
| Ambient air temperature for operation | -13...158 °F (-25...70 °C)                       |
| Ambient Air Temperature for Storage   | -40...158 °F (-40...70 °C)                       |
| Vibration resistance                  | 15 gn 10...500 Hz)IEC 60068-2-6                  |
| Shock resistance                      | 100 gn IEC 60068-2-27                            |

## Ordering and shipping details

|                       |                              |
|-----------------------|------------------------------|
| Category              | 22473 - PUSHBUTTON, PENDANTS |
| Discount Schedule     | CS2                          |
| GTIN                  | 00785901447238               |
| Nbr. of units in pkg. | 1                            |
| Package weight(Lbs)   | 1 lb(US) (0.45 kg)           |
| Returnability         | No                           |
| Country of origin     | CZ                           |

## Packing Units

|                              |                        |
|------------------------------|------------------------|
| Unit Type of Package 1       | PCE                    |
| Package 1 Height             | 1.57 in (4 cm)         |
| Package 1 width              | 3.94 in (10 cm)        |
| Package 1 Length             | 3.54 in (9 cm)         |
| Unit Type of Package 2       | S02                    |
| Number of Units in Package 2 | 60                     |
| Package 2 Weight             | 7.79 lb(US) (3.534 kg) |
| Package 2 Height             | 5.91 in (15 cm)        |
| Package 2 width              | 11.81 in (30 cm)       |
| Package 2 Length             | 15.75 in (40 cm)       |

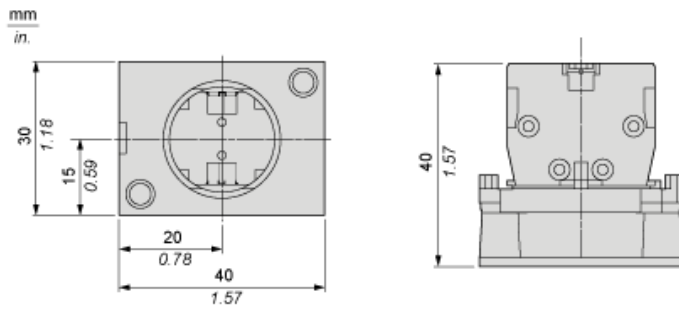
## Offer Sustainability

|                            |  |
|----------------------------|--|
| California proposition 65  | WARNING: This product can expose you to chemicals including: Nickel compounds, which is known to the State of California to cause cancer, and Di-isodecyl phthalate (DIDP), which is known to the State of California to cause birth defects or other reproductive harm. For more information go to <a href="http://www.P65Warnings.ca.gov">www.P65Warnings.ca.gov</a> |
| REACH Regulation           | <a href="#">REACH Declaration</a>  |
| REACH free of SVHC         | Yes  |
| EU RoHS Directive          | Pro-active compliance (Product out of EU RoHS legal scope) <a href="#">EU RoHS Declaration</a>   |
| Toxic heavy metal free     | Yes  |
| Mercury free               | Yes  |
| RoHS exemption information | <a href="#">Yes</a>  |
| China RoHS Regulation      | <a href="#">China RoHS Declaration</a>   |
| WEEE                       | The product must be disposed on European Union markets following specific waste collection and never end up in rubbish bins.   |

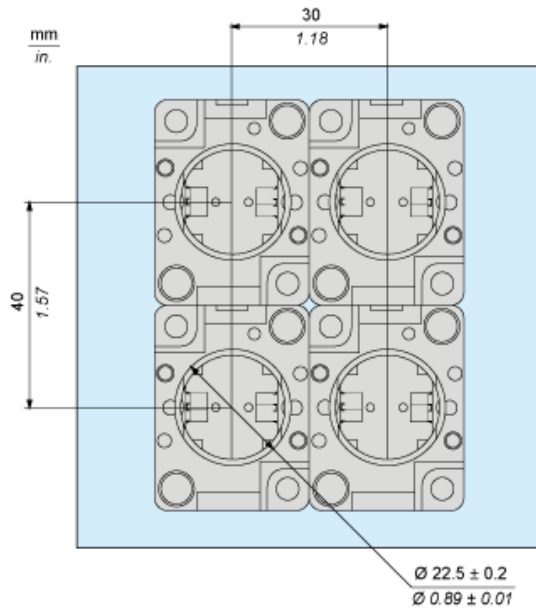
## Contractual warranty

|          |           |
|----------|-----------|
| Warranty | 18 months |
|----------|-----------|

## Dimensions



## Mounting



Rated Operational Power

AC Supply 50/60 Hz

Operating rate: 3600 operating cycles/hour. Load factor: 0.5.

Power broken in VA for 1 million operating cycles, AC-15 utilization category

| Voltage           | V | 24  | 48  | 127 | 230 |
|-------------------|---|-----|-----|-----|-----|
| Inductive circuit | W | 140 | 385 | 525 | 455 |

DC Supply

Operating rate: 3600 operating cycles/hour. Load factor: 0.5.

Power broken in W for 1 million operating cycles, DC-13 utilization category

| Voltage           | V | 24 | 48 | 120 |
|-------------------|---|----|----|-----|
| Inductive circuit | W | 60 | 45 | 42  |