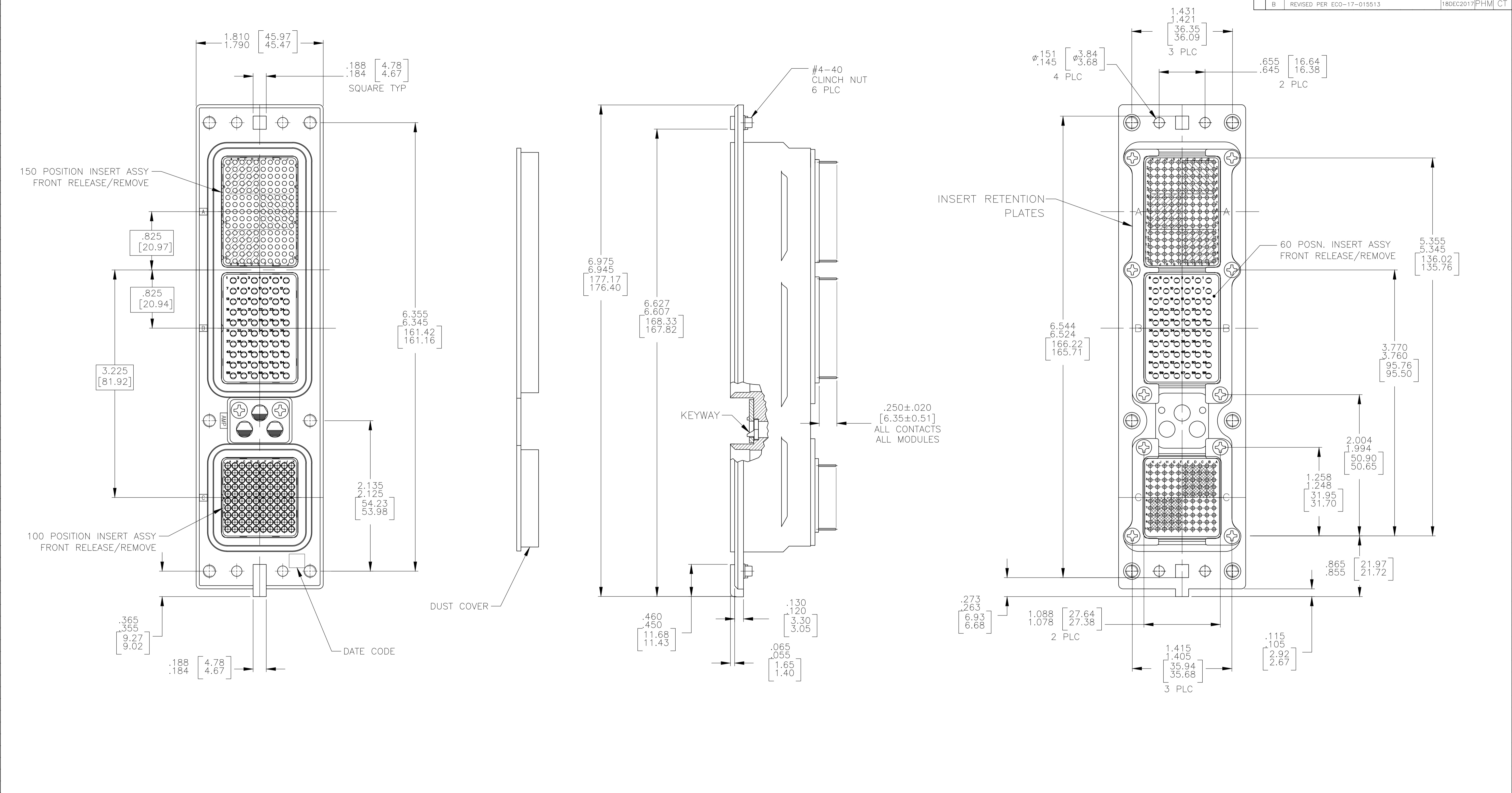


REVISIONS					
P	LTR	DESCRIPTION	DATE	DMN	APVD
B		REVISED PER ECO-17-015513	18DEC2017	PHM	CT



- CONNECTOR DIMENSIONS ARE PER ARINC 600 SPECIFICATION
- DUST COVER INSTALLED FOR SHIPPING.
- KEYING SHOWN IN POSITION "01" FOR REFERENCE ONLY. SEE TABLE FOR KEYING POSITION. FOR POSITION "00" KEYING SHIPPED UNASSEMBLED.
- CONTACTS NOT SHOWN IN FRONT AND REAR VIEWS FOR CLARITY.

COMPONENT	MATERIAL	FINISH
SHELL	DIE CAST ALUMINUM PER ASTM-B-85	ELECTROLESS NICKEL PER MIL-C-26074
INSERT RETENTION PLATES	ALUMINUM ALLOY PER ASTM-B-209	ELECTROLESS NICKEL PER MIL-C-26074
SCREWS	STEEL OR STAINLESS STEEL	PASSIVATED
POLARIZING KEYS	ZINC ALLOY PER ASTM-B-86	-
POLARIZING KEY RETAINING PLATE	ALUMINUM ALLOY PER ASTM-B-209	BLUE ANODIZED PER MIL-A-8625
INSERTS	THERMOSET OR THERMOPLASTIC PPS PER MIL-M-24519	-
DUST COVER	CONDUCTIVE THERMOPLASTIC	-

NIC66GN402FF00SB0	"00"	MODULE A 211431-4 (SZ 22 POSTED SOCKET CONTACT; QTY=150) MODULE B 1-448138-2 (SZ 20 POSTED PIN CONTACT; QTY=60) MODULE C 211431-4 (SZ 22 POSTED SOCKET CONTACT; QTY=100)	2157108-1
DESCRIPTIVE NUMBER	KEYING POSITION	CONTACTS INCLUDED AND INSTALLED	PART NUMBER

THIS DRAWING IS A CONTROLLED DOCUMENT.

DIMENSIONS: INCHES

TOLERANCES UNLESS OTHERWISE SPECIFIED:

0 PLC	± .005
1 PLC	± .004
2 PLC	± .003
3 PLC	± .002
4 PLC	± .001
ANGLES	± .001

MATERIAL: SEE TABLE

FINISH: SEE TABLE

WEIGHT: A1 00779

CUSTOMER DRAWING

DIN: C.C.THOMAS 9-7-10

CHK: K.THACKSTON 9-7-10

APVD: K.THACKSTON 9-7-10

NAME: RCPT ASSY, SIZE 2, ARINC 600 (150/60/100), FR

SIZE: A1

CAGE CODE: 00779

DRAWING NO: 2157108

RESTRICTED TO: -

SCALE: 3:2

SHEET: 1 OF 1

REV: B