

GlobTek, Inc. www.globtek.com 186 Veterans Drive, Northvale, NJ 07647 Tel. (201) 784-1000 Fax (201) 784-0111	Drawing Title: GT-21088-0805-W2, ICT/ITE Power Supply, Efficiency Level: N/A, Case Color/Style: GlobTek Black, Wall Plug-in, Regulated Switchmode AC-DC Power Supply AC Adaptor, Input Rating: 100-240V~, 50-60 Hz, N. America NEMA 1-15 Fixed , Output Rating: 7.5W, 5.0V@1.5A, Output Configuration: 1830 mm, 20/1C + Shield Cond, UL 1185, 2 PINS CONNECTOR CONXALL MICRO-CON-X TYPE, P/N: 16282-2SG-311, Ferrite: None, GlobTek Black, GT Cord # C51838, Pin Out: Pin 1: +V (White), Pin 2: COM (Shield), Blades/Input Cord: Fixed Blades North American 1-15P, Approvals: LPS 60950; cUL 60950; RoHS; China RoHS; PSE; Double Insulation; WEEE;	
	Model No. GT-21088-0805-W2	
	Part No./Ordering No. WR9HA1500CXL-Y(R)	Rev E

In Addition to GlobTek Inc.'s renewed ISO9001:2015 - Quality Management System Certification, GlobTek Inc. is now certified to:

ISO13485:2016 - Medical Devices Quality Management System Certification

ISO14001:2015 - Environmental Management System Certification

ISO Certificates are available online at <https://www.globtek.com/iso-certificates/>

The acceptance of this specification and use of the product described in this document indicates the acceptance and binding of the customer to Globtek TERMS AND CONDITIONS (attached to the end of this document), which supersede all other agreements, terms, and conditions (<https://en.globtek.com/terms-and-conditions/>).

The purchaser of this product (Customer) agrees that it is their sole responsibility to determine suitability/fitness of the product described in this specification for their application and to take precautions for protection against any hazards attendant to the handling and use of the product.

Footnote:

GlobTek Inc. will not be liable for the safety and performance of these power supplies/battery packs if unauthorized access and repair occurs. End user should consult applicable UL, CSA or EN standards for proper installation instruction.

Limitation of Use:

GlobTek products are intended for use with commercial, medical, and/or industrial equipment only. GlobTek product are not authorized for use as mission critical components in life support hazardous environment, nuclear or aircraft applications without prior written approval from the CEO of GlobTek Inc.

Contents of this document are subject to change without prior notice.

Customer Approval of Specification:

Please approve, sign and send back to GlobTek so we can complete order processing.

A delay in receipt of this form will delay delivery schedule.

Company Name: _____	Customer P/N: _____
Quote Number: _____	Date: _____
Authorized Representative Name: _____	Authorized Representative Signature: _____

GlobTek, Inc. www.globtek.com 186 Veterans Drive, Northvale, NJ 07647 Tel. (201) 784-1000 Fax (201) 784-0111	Drawing Title: GT-21088-0805-W2, ICT/ITE Power Supply, Efficiency Level: N/A, Case Color/Style: GlobTek Black, Wall Plug-in, Regulated Switchmode AC-DC Power Supply AC Adaptor, Input Rating: 100-240V~, 50-60 Hz, N. America NEMA 1-15 Fixed , Output Rating: 7.5W, 5.0V@1.5A, Output Configuration: 1830 mm, 20/1C + Shield Cond, UL 1185, 2 PINS CONNECTOR CONXALL MICRO-CON-X TYPE, P/N: 16282-2SG-311, Ferrite: None, GlobTek Black, GT Cord # C51838, Pin Out: Pin 1: +V (White), Pin 2: COM (Shield), Blades/Input Cord: Fixed Blades North American 1-15P, Approvals: LPS 60950; cUL 60950; RoHS; China RoHS; PSE; Double Insulation; WEEE;	
	Model No. GT-21088-0805-W2	
	Part No./Ordering No. WR9HA1500CXL-Y(R)	Rev E

REVISION HISTORY

REV	DESCRIPTION	SUB	DATE	APPROVED
E	Update to SF format	QA	05/28/2020	QA

POWER SUPPLY INFORMATION

TYPE	Wall Plug-in
TECHNOLOGY	Regulated Switchmode AC-DC Power Supply AC Adaptor
CASE COLOR	GlobTek Black
NAMEPLATE RATED INPUT	100-240V~, 50-60 Hz, 0.5A
INPUT CONFIG	N. America NEMA 1-15 Fixed
WATTS	7.50
VOLTS OUT	5.0
CURRENT OUT (Amps)	1.5
BLADE/CORD INCLUDED	FBNA2 Fixed Blades North American 1-15P
BLADE/CORD INSTALLED	FBNA2 :Fixed Blades North American 1-15P
INGRESS PROTECTION	
GROUNDING CONFIGURATION	(F1) Class II / Double Insulated
EFFICIENCY LEVEL	N/A
OUTPUT CONFIGURATION	1830 mm, 20/1C + Shield Cond, UL 1185, 2 PINS CONNECTOR CONXALL MICRO-CON-X TYPE, P/N: 16282-2SG-311, Ferrite: None, GlobTek Black, GT Cord # C51838
OVERMOLDED	Yes
OUTPUT CONNECTOR GENDER	Female
CONNECTOR PIN OUT	Pin 1: +V (White), Pin 2: COM (Shield)
LABEL SPECS	Standard GT - See Deviations,L-1604
SPECIAL BARCODE LABEL MATERIAL	No
PACK SPEC	Standard GT-21088-W2, Individually Box, GT User Manual
USER MANUAL	809-DESKTOPUSERMANUAL on A4 paper

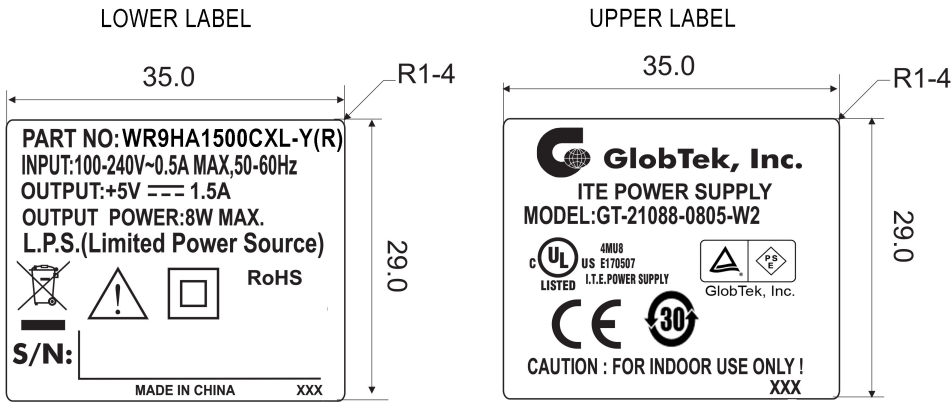
PROPRIETARY INFORMATION

PROPRIETARY OF GLOBTEK, INC. ANY REPRODUCTION, DISCLOSURE OR USE OF THIS DRAWING, IN WHOLE OR IN PART, IS HEREBY PROHIBITED EXCEPT AS SPECIFIED IN WRITING BY GLOBTEK, INC. © GlobTek, Inc. 2012 - 2023

<p>GlobTek, Inc. www.globtek.com 186 Veterans Drive, Northvale, NJ 07647 Tel. (201) 784-1000 Fax (201) 784-0111</p>	<p>Drawing Title: GT-21088-0805-W2, ICT/ITE Power Supply, Efficiency Level: N/A, Case Color/Style: GlobTek Black, Wall Plug-in, Regulated Switchmode AC-DC Power Supply AC Adaptor, Input Rating: 100-240V~, 50-60 Hz, N. America NEMA 1-15 Fixed , Output Rating: 7.5W, 5.0V@1.5A, Output Configuration: 1830 mm, 20/1C + Shield Cond, UL 1185, 2 PINS CONNECTOR CONXALL MICRO-CON-X TYPE, P/N: 16282-2SG-311, Ferrite: None, GlobTek Black, GT Cord # C51838, Pin Out: Pin 1: +V (White), Pin 2: COM (Shield), Blades/Input Cord: Fixed Blades North American 1-15P, Approvals: LPS 60950; cUL 60950; RoHS; China RoHS; PSE; Double Insulation; WEEE;</p> <p>Model No. GT-21088-0805-W2</p> <p>Part No./Ordering No. WR9HA1500CXL-Y(R)</p>	<p>Rev E</p>
---	--	--------------

Notes/Modifications/Customizations (notes in this section supersede the values shown in the standard spec)
DIMENSIONS ARE IN MM UNLESS SPECIFIED OTHERWISE

Labels on the unit:



GlobTek, Inc. www.globtek.com 186 Veterans Drive, Northvale, NJ 07647 Tel. (201) 784-1000 Fax (201) 784-0111	Drawing Title: GT-21088-0805-W2, ICT/ITE Power Supply, Efficiency Level: N/A, Case Color/Style: GlobTek Black, Wall Plug-in, Regulated Switchmode AC-DC Power Supply AC Adaptor, Input Rating: 100-240V~, 50-60 Hz, N. America NEMA 1-15 Fixed , Output Rating: 7.5W, 5.0V@1.5A, Output Configuration: 1830 mm, 20/1C + Shield Cond, UL 1185, 2 PINS CONNECTOR CONXALL MICRO-CON-X TYPE, P/N: 16282-2SG-311, Ferrite: None, GlobTek Black, GT Cord # C51838, Pin Out: Pin 1: +V (White), Pin 2: COM (Shield), Blades/Input Cord: Fixed Blades North American 1-15P, Approvals: LPS 60950; cUL 60950; RoHS; China RoHS; PSE; Double Insulation; WEEE;	
	Model No. GT-21088-0805-W2	
	Part No./Ordering No. WR9HA1500CXL-Y(R)	Rev E

ELECTRICAL SPECIFICATIONS

A) ELECTRICAL SPECIFICATIONS:

1. Input Voltage: Specified 90-264 Vac, Nameplate rated: 100-240Vac
2. Input Frequency: Specified 47-63 Hz, Nameplate rated 50-60Hz
3. Output Regulation: +/- 5% measured at the output connector
4. Line Voltage Regulation: +/- 2% typical measures at full load
5. Output Ripple (Vp-p): 100 mV measured at 20 MHz bandwidth with 0.1 uf ceramic capacitor in parallel with 10 uf electrolytic capacitor connected at the end of output connector at nominal line
6. Turn-On/Turn-Off Overshoot: 5% maximum, 1mS typical recovery time for 25% step load
7. Turn-On Delay: <2 second typical
8. Hold-Up Time: 5mS typical @ nominal input voltage & full load
9. Inrush Current: 30A typical @ 115Vac input ; 60A typical @ 230Vac input
10. Switching Frequency: 65 KHz typical

B) PROTECTION

1. Over-Voltage: Electronically Protected, unit will recover upon removal of fault
2. Short Circuit: Electronically Protected, unit will recover upon removal of fault
3. Input Protection: Input line fusing

C) SAFETY

1. Dielectric Withstand Voltage: 4242Vdc from primary to secondary
2. Touch Current: <0.25mA @ 240Vac input voltage

D) OTHER:

1. MTBF: 200,000 hours @ 25°C ambient temperature
2. Operating Temperature: 0°C to 40°C ambient temperature
3. Humidity: 0% to 90% relative humidity
4. Storage Temperature: -10°C to 80°C
5. ROHS 2: Complies with EU 2011/65/EU and China SJ/T 11363-2006

E) ENCLOSURE

1. Upper Housing: High impact plastic, 94V0 polycarbonate, non-vented
2. Lower Housing: High impact plastic, 94V0 polycarbonate, non-vented
3. Size: 57*48*26 +/-1.0mm

TO ADDRESS SYSTEM-LEVEL EMI CONCERNS, FERRITE CHOKES/BEADS MAY BE ADDED/REVISED UPON REQUEST. A SAMPLE KIT OF GLOBTEK'S STANDARD FERRITES IS AVAILABLE UNDER GLOBTEK P/N: EMI-MITIGATION-KIT1

FOR ADDITIONAL INFORMATION, PLEASE READ OUR WHITE PAPER AT:

<https://en.globtek.com/technical-articles/ferrite-kit-radiated-emi-suppression-kit-for-globtek-power-supplies-cable-assemblies>

GlobTek, Inc.
www.globtek.com
186 Veterans Drive,
Northvale, NJ 07647
Tel. (201) 784-1000
Fax (201) 784-0111

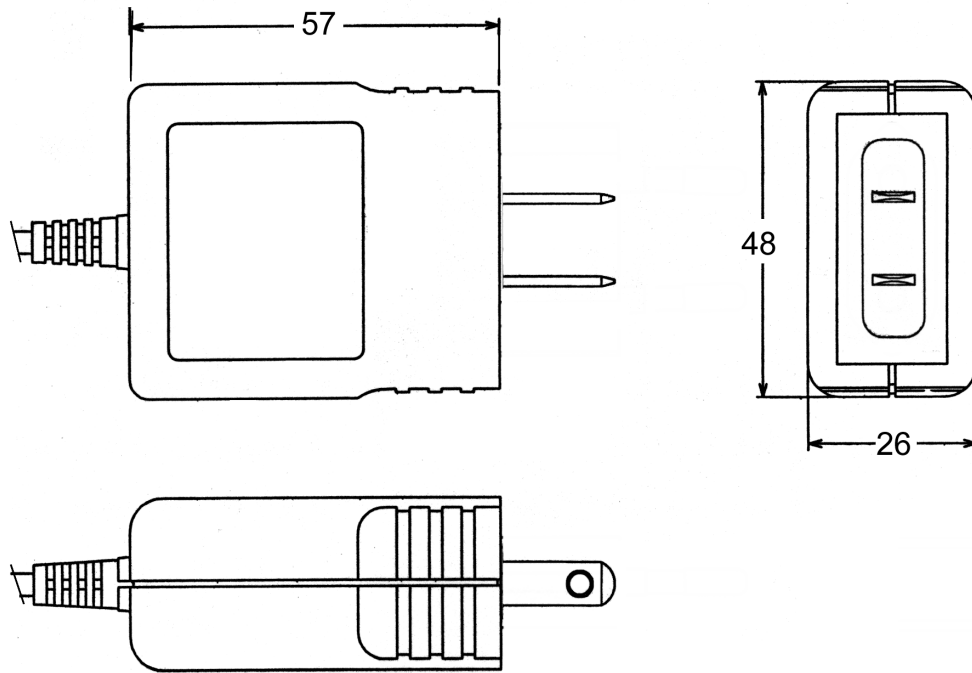
Drawing Title: GT-21088-0805-W2, ICT/ITE Power Supply, Efficiency Level: N/A, Case Color/Style: GlobTek Black, Wall Plug-in, Regulated Switchmode AC-DC Power Supply AC Adaptor, Input Rating: 100-240V~, 50-60 Hz, N. America NEMA 1-15 Fixed , Output Rating: 7.5W, 5.0V@1.5A, Output Configuration: 1830 mm, 20/1C + Shield Cond, UL 1185, 2 PINS CONNECTOR CONXALL MICRO-CON-X TYPE, P/N: 16282-2SG-311, Ferrite: None, GlobTek Black, GT Cord # C51838, Pin Out: Pin 1: +V (White), Pin 2: COM (Shield), Blades/Input Cord: Fixed Blades North American 1-15P, Approvals: LPS 60950; cUL 60950; RoHS; China RoHS; PSE; Double Insulation; WEEE;

Model No. GT-21088-0805-W2

Part No./Ordering No. WR9HA1500CXL-Y(R)

Rev E

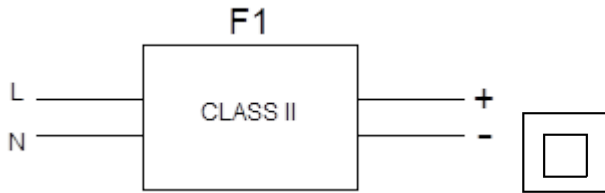
Mechanical drawing



GlobTek, Inc. www.globtek.com 186 Veterans Drive, Northvale, NJ 07647 Tel. (201) 784-1000 Fax (201) 784-0111	Drawing Title: GT-21088-0805-W2, ICT/ITE Power Supply, Efficiency Level: N/A, Case Color/Style: GlobTek Black, Wall Plug-in, Regulated Switchmode AC-DC Power Supply AC Adaptor, Input Rating: 100-240V~, 50-60 Hz, N. America NEMA 1-15 Fixed , Output Rating: 7.5W, 5.0V@1.5A, Output Configuration: 1830 mm, 20/1C + Shield Cond, UL 1185, 2 PINS CONNECTOR CONXALL MICRO-CON-X TYPE, P/N: 16282-2SG-311, Ferrite: None, GlobTek Black, GT Cord # C51838, Pin Out: Pin 1: +V (White), Pin 2: COM (Shield), Blades/Input Cord: Fixed Blades North American 1-15P, Approvals: LPS 60950; cUL 60950; RoHS; China RoHS; PSE; Double Insulation; WEEE;	
	Model No. GT-21088-0805-W2	
	Part No./Ordering No. WR9HA1500CXL-Y(R)	Rev E

INPUT CONFIGURATION

(F1) Class II / Double Insulated



[Alternate grounding configurations](#) available upon request.

Blades/Cord Included:FBNA2:Fixed Blades North American 1-15P

Blades/Cord Installed:FBNA2:Fixed Blades North American 1-15P

NEMA 1-15P, North America Blades, Class II 2 Conductors

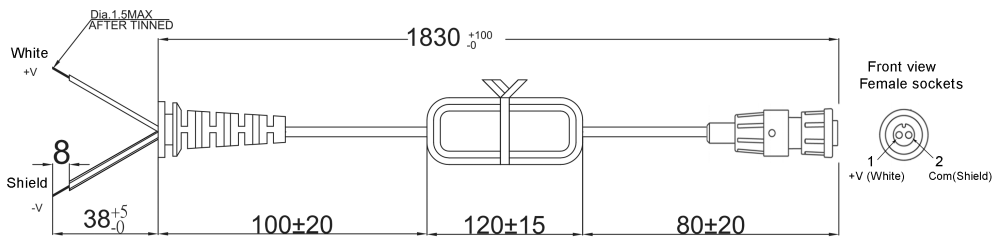
All NEMA 1 devices are two-wire non-grounding devices (hot-neutral) rated for 125 V maximum. NEMA 1-15P plugs have two parallel flat blades, 0.25 inches (6.35 mm) wide, 0.06 inches (1.524 mm) thick, 0.625-0.718 inches (15.875–18.256 mm) long, and spaced 0.5 inches (12.7 mm) apart.

GlobTek, Inc. www.globtek.com 186 Veterans Drive, Northvale, NJ 07647 Tel. (201) 784-1000 Fax (201) 784-0111	Drawing Title: GT-21088-0805-W2, ICT/ITE Power Supply, Efficiency Level: N/A, Case Color/Style: GlobTek Black, Wall Plug-in, Regulated Switchmode AC-DC Power Supply AC Adaptor, Input Rating: 100-240V~, 50-60 Hz, N. America NEMA 1-15 Fixed , Output Rating: 7.5W, 5.0V@1.5A, Output Configuration: 1830 mm, 20/1C + Shield Cond, UL 1185, 2 PINS CONNECTOR CONXALL MICRO-CON-X TYPE, P/N: 16282-2SG-311, Ferrite: None, GlobTek Black, GT Cord # C51838, Pin Out: Pin 1: +V (White), Pin 2: COM (Shield), Blades/Input Cord: Fixed Blades North American 1-15P, Approvals: LPS 60950; cUL 60950; RoHS; China RoHS; PSE; Double Insulation; WEEE;	
	Model No. GT-21088-0805-W2	
	Part No./Ordering No. WR9HA1500CXL-Y(R)	Rev E

OUTPUT CORD AND CONNECTOR: CON-2/C51838

ACTUAL CONNECTORS, OVERMOLDS, FERRITES MAY VARY SLIGHTLY FROM THE PICTURE BELOW

CABLE TYPE	UL 1185
CABLE LENGTH (mm)	1830
CABLE TOLERANCE (mm)	+100,-0
WIRE GAUGE (AWG)	20
CONDUCTORS	1C + Shield
HANK DIMENSION (mm)	120 ± 15
CABLE / CONNECTOR OVERMOLD COLOR	GlobTek Black
FERRITE TYPE AND DIMENSION	None
FERRITE NUMBER OF TURNS(Definition)	N/A
FERRITE DIMENSION FROM STRAIN RELIEF	N/A
FERRITE DIMENSION FROM PLUG	N/A
PLUG TYPE	2 PINS CONNECTOR CONXALL MICRO-CON-X TYPE, P/N: 16282-2SG-311
OUTPUT CONNECTOR GENDER	Female
OVERMOLDED	Yes
OVER MOLD ORIENTATION	N/A
CONNECTOR PIN OUT	Pin 1: +V (White), Pin 2: COM (Shield)



ADDITIONAL OUTPUT PLUG OPTIONS ARE AVAILABLE AT <https://www.globtek.com/connectors/>
STANDARD PLUGS AND CONNECTORS CAN BE SEEN ONLINE AT <https://www.globtek.com/connectors/>
CALCULATE VOLTAGE REGULATION/DROP WITH OUR ONLINE CALCULATOR: <https://en.globtek.com/output-cable-regulation-calculator/>

<p>GlobTek, Inc. www.globtek.com 186 Veterans Drive, Northvale, NJ 07647 Tel. (201) 784-1000 Fax (201) 784-0111</p>	<p>Drawing Title: GT-21088-0805-W2, ICT/ITE Power Supply, Efficiency Level: N/A, Case Color/Style: GlobTek Black, Wall Plug-in, Regulated Switchmode AC-DC Power Supply AC Adaptor, Input Rating: 100-240V~, 50-60 Hz, N. America NEMA 1-15 Fixed , Output Rating: 7.5W, 5.0V@1.5A, Output Configuration: 1830 mm, 20/1C + Shield Cond, UL 1185, 2 PINS CONNECTOR CONXALL MICRO-CON-X TYPE, P/N: 16282-2SG-311, Ferrite: None, GlobTek Black, GT Cord # C51838, Pin Out: Pin 1: +V (White), Pin 2: COM (Shield), Blades/Input Cord: Fixed Blades North American 1-15P, Approvals: LPS 60950; cUL 60950; RoHS; China RoHS; PSE; Double Insulation; WEEE;</p>
	<p>Model No. GT-21088-0805-W2</p>
	<p>Part No./Ordering No. WR9HA1500CXL-Y(R) Rev E</p>

OUTPUT CONNECTOR HOOK UP

TO ADDRESS SYSTEM-LEVEL EMI CONCERNS, FERRITE CHOKES/BEADS MAY BE ADDED/REVISED UPON REQUEST. A SAMPLE KIT OF GLOBTEK'S STANDARD FERRITES IS AVAILABLE UNDER GLOBTEK P/N: EMI-MITIGATION-KIT1

FOR ADDITIONAL INFORMATION, PLEASE READ OUR WHITE PAPER AT:

<https://en.globtek.com/technical-articles/ferrite-kit-radiated-emi-suppression-kit-for-globtek-power-supplies-cable-assemblies>

GlobTek, Inc. www.globtek.com 186 Veterans Drive, Northvale, NJ 07647 Tel. (201) 784-1000 Fax (201) 784-0111	Drawing Title: GT-21088-0805-W2, ICT/ITE Power Supply, Efficiency Level: N/A, Case Color/Style: GlobTek Black, Wall Plug-in, Regulated Switchmode AC-DC Power Supply AC Adaptor, Input Rating: 100-240V~, 50-60 Hz, N. America NEMA 1-15 Fixed , Output Rating: 7.5W, 5.0V@1.5A, Output Configuration: 1830 mm, 20/1C + Shield Cond, UL 1185, 2 PINS CONNECTOR CONXALL MICRO-CON-X TYPE, P/N: 16282-2SG-311, Ferrite: None, GlobTek Black, GT Cord # C51838, Pin Out: Pin 1: +V (White), Pin 2: COM (Shield), Blades/Input Cord: Fixed Blades North American 1-15P, Approvals: LPS 60950; cUL 60950; RoHS; China RoHS; PSE; Double Insulation; WEEE;	
	Model No. GT-21088-0805-W2	
	Part No./Ordering No. WR9HA1500CXL-Y(R)	Rev E

LABEL:L-1604

LABEL P/N	Standard GT - See Deviations
MATERIAL	Flat Thermal Transfer, Imprintable, Polyester Label and/or Pad Printed and/or Molded, and/or Laser Engraved in the case
BACKGROUND COLOR	Black if housing is Black, White or Silver if housing is White or Gray.
TEXT COLOR	White or Silver if label is Black Background for Black housing. Black if label is White or Silver background and Housing is White or Gray.
LABEL WIDTH (mm)	35.0
LABEL HEIGHT (mm)	29.0
SPECIAL BARCODE LABEL MATERIAL	No

Below is the minimum information which will appear on the label. NOTE: in the logo area additional/actual positioning of symbols and text is subjected to change as per agency updates/requirements or additional model approvals become available. Regulatory certifications/label markings may be in logo area on the label or molded into the case housing outside the label area. Information will be shown via label and/or pad printed and/or molded and/or laser engraved in the case. * Date code markings at GlobTek option.



Please refer to the deviations section of the product specifications for additional details regarding the label.



DATE CODE A *:

DATE CODE LABEL



Series NO. Week Year
 Class NO. for production

or

DATE CODE B *:

WWYY
WW = WEEK
YY = YEAR

- A=ICT/ITE Power Supply
- B=P/N: (料号) WR9HA1500CXL-Y(R)
- C=Model (型号) GT-21088-0805-W2
- D=Input (输入)100-240V~, 50-60 Hz, 0.5A
- E=Output (输出)5.0 V 1.5 A, 7.50W

GlobTek, Inc. www.globtek.com 186 Veterans Drive, Northvale, NJ 07647 Tel. (201) 784-1000 Fax (201) 784-0111	Drawing Title: GT-21088-0805-W2, ICT/ITE Power Supply, Efficiency Level: N/A, Case Color/Style: GlobTek Black, Wall Plug-in, Regulated Switchmode AC-DC Power Supply AC Adaptor, Input Rating: 100-240V~, 50-60 Hz, N. America NEMA 1-15 Fixed , Output Rating: 7.5W, 5.0V@1.5A, Output Configuration: 1830 mm, 20/1C + Shield Cond, UL 1185, 2 PINS CONNECTOR CONXALL MICRO-CON-X TYPE, P/N: 16282-2SG-311, Ferrite: None, GlobTek Black, GT Cord # C51838, Pin Out: Pin 1: +V (White), Pin 2: COM (Shield), Blades/Input Cord: Fixed Blades North American 1-15P, Approvals: LPS 60950; cUL 60950; RoHS; China RoHS; PSE; Double Insulation; WEEE;	
	Model No. GT-21088-0805-W2	
	Part No./Ordering No. WR9HA1500CXL-Y(R)	Rev E

AGENCY ONLINE DOCUMENTS

CE EC-Declaration for Medical	Contact GlobTek for more information
CE EC-Declaration for Industrial/Commercial/ITE	http://globtek.force.com/models/ec_declaration_product?id=01t30000002p9bH&i=4
CE EC-Declaration for Household	Contact GlobTek for more information
UKCA-Declaration for Medical	Contact GlobTek for more information
UKCA-Declaration for Industrial/Commercial/ITE	http://globtek.force.com/models/ukca_declaration_product?id=01t30000002p9bH&i=4
UKCA-Declaration for Household	Contact GlobTek for more information
Morocco SDoC Declaration	https://globtek.secure.force.com/models/Morocco_SDoC_Declaration?id=a0Oa000000LNjJEEAX
RoHS/RoHS3 Declaration	https://www.globtek.com/pdf/rohs_cert/01t30000002p9bHAAQ
REACH Declaration	https://www.globtek.com/pdf/iso_certificates/REACH.pdf
Conflict Minerals Declaration	https://www.globtek.com/pdf/conflict-minerals.pdf
Prop 65 Statement	https://en.globtek.com/prop-65-statement.pdf

IPXY rating is based on 3rd party testing and customers should check suitability and test system level IPXY rating before ordering.

Regulatory Certifications/Label Markings

Below follows a link to the latest regulatory certifications and marks for this specific product. National standards as well as certification schemes are constantly changing and so is the set of certification marks and symbols applicable to this product. Various standards, marks and symbols, and certificates are subject to change at any time without notice.

Additional standards or unique country certifications are available upon request. Please contact Globtek to request a quotation.

LATEST PRODUCT/MODEL CERTIFICATIONS: <https://www.globtek.com/datasheet/w70949>

AGENCY ONLINE DOCUMENTS



(F1) Class II / Double Insulated

Front view
Female sockets



Pin 1: +V (White), Pin 2: COM (Shield)

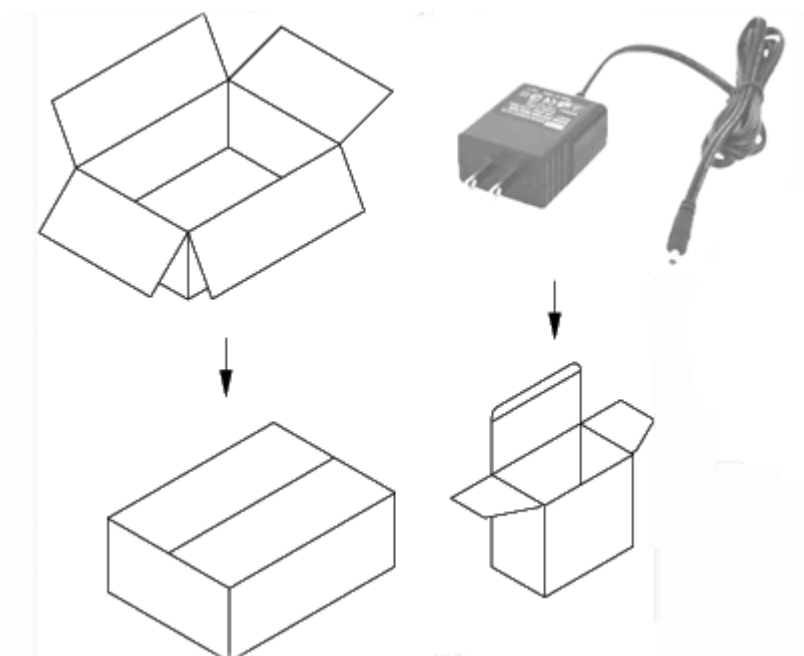
GlobTek, Inc. www.globtek.com 186 Veterans Drive, Northvale, NJ 07647 Tel. (201) 784-1000 Fax (201) 784-0111	Drawing Title: GT-21088-0805-W2, ICT/ITE Power Supply, Efficiency Level: N/A, Case Color/Style: GlobTek Black, Wall Plug-in, Regulated Switchmode AC-DC Power Supply AC Adaptor, Input Rating: 100-240V~, 50-60 Hz, N. America NEMA 1-15 Fixed , Output Rating: 7.5W, 5.0V@1.5A, Output Configuration: 1830 mm, 20/1C + Shield Cond, UL 1185, 2 PINS CONNECTOR CONXALL MICRO-CON-X TYPE, P/N: 16282-2SG-311, Ferrite: None, GlobTek Black, GT Cord # C51838, Pin Out: Pin 1: +V (White), Pin 2: COM (Shield), Blades/Input Cord: Fixed Blades North American 1-15P, Approvals: LPS 60950; cUL 60950; RoHS; China RoHS; PSE; Double Insulation; WEEE;	
	Model No. GT-21088-0805-W2	
	Part No./Ordering No. WR9HA1500CXL-Y(R)	Rev E

PACKAGING

Packing Spec P/N:	Standard GT-21088-W2, Individually Box, GT User Manual
Box Qty	90
Gift Box Size (mm):	135*75*30
Gift Box Color:	White
Master Carton Size (mm):	455 x 405 x 220
Master Carton Cubic Volume (m³):	0.04
Master GW (Kg):	13.9 kg
BLADES INCLUDED:	FBNA2: Fixed Blades North American 1-15P
BLADE/CORD INSTALLED:	FBNA2: Fixed Blades North American 1-15P
USER MANUAL*:	809-DESKTOPUSERMANUAL on A4 paper
USER MANUAL WEB LINK:	https://en.globtek.com/pdf/809-DESKTOPUSERMANUAL.jpg

* This specification sheet is considered the user manual for all applications. It is expected that the buyer of this product will use it to formulate their own user manual for their end product and a user manual specifically for the power adapter is not usually required. If a user manual is not specifically listed above then none will be provided with this unit.

If specific packaging is required, this section must specify all requirements and note "no exceptions". If this section does not specify packaging, it is subject to change without notice at GlobTek's discretion



PROPRIETARY INFORMATION

GlobTek, Inc. www.globtek.com 186 Veterans Drive, Northvale, NJ 07647 Tel. (201) 784-1000 Fax (201) 784-0111	Drawing Title: GT-21088-0805-W2, ICT/ITE Power Supply, Efficiency Level: N/A, Case Color/Style: GlobTek Black, Wall Plug-in, Regulated Switchmode AC-DC Power Supply AC Adaptor, Input Rating: 100-240V~, 50-60 Hz, N. America NEMA 1-15 Fixed , Output Rating: 7.5W, 5.0V@1.5A, Output Configuration: 1830 mm, 20/1C + Shield Cond, UL 1185, 2 PINS CONNECTOR CONXALL MICRO-CON-X TYPE, P/N: 16282-2SG-311, Ferrite: None, GlobTek Black, GT Cord # C51838, Pin Out: Pin 1: +V (White), Pin 2: COM (Shield), Blades/Input Cord: Fixed Blades North American 1-15P, Approvals: LPS 60950; cUL 60950; RoHS; China RoHS; PSE; Double Insulation; WEEE;	
	Model No. GT-21088-0805-W2	
	Part No./Ordering No. WR9HA1500CXL-Y(R)	Rev E

INSTRUCTIONS TO THE OEM SYSTEMS ENGINEER

It is the responsibility of the OEM systems engineer to provide the end system user instructions and warnings for the use of this product in the end system.

If an input cord is required for this product, AC Mains voltage should be provided to the power supply by a power supply cord approved to the national standards of the country in which it will be used.

This product is not designed to be repaired. No serviceable parts inside. A blown internal fuse is an indication of catastrophic failure of circuit component(s). If a Failure Analysis is required for a failed power supply/battery charger, please return the damaged unit to GlobTek for an accurate determination of the root cause of the failure.

EMC Compliance of the complete OEM product, including the GlobTek power supply/battery charger needs to be verified by the OEM systems engineer.

INSTRUCTION SHEET

N/A

<p>GlobTek, Inc. www.globtek.com 186 Veterans Drive, Northvale, NJ 07647 Tel. (201) 784-1000 Fax (201) 784-0111</p>	<p>Drawing Title: GT-21088-0805-W2, ICT/ITE Power Supply, Efficiency Level: N/A, Case Color/Style: GlobTek Black, Wall Plug-in, Regulated Switchmode AC-DC Power Supply AC Adaptor, Input Rating: 100-240V~, 50-60 Hz, N. America NEMA 1-15 Fixed , Output Rating: 7.5W, 5.0V@1.5A, Output Configuration: 1830 mm, 20/1C + Shield Cond, UL 1185, 2 PINS CONNECTOR CONXALL MICRO-CON-X TYPE, P/N: 16282-2SG-311, Ferrite: None, GlobTek Black, GT Cord # C51838, Pin Out: Pin 1: +V (White), Pin 2: COM (Shield), Blades/Input Cord: Fixed Blades North American 1-15P, Approvals: LPS 60950; cUL 60950; RoHS; China RoHS; PSE; Double Insulation; WEEE;</p>
	<p>Model No. GT-21088-0805-W2</p>
	<p>Part No./Ordering No. WR9HA1500CXL-Y(R) Rev E</p>

