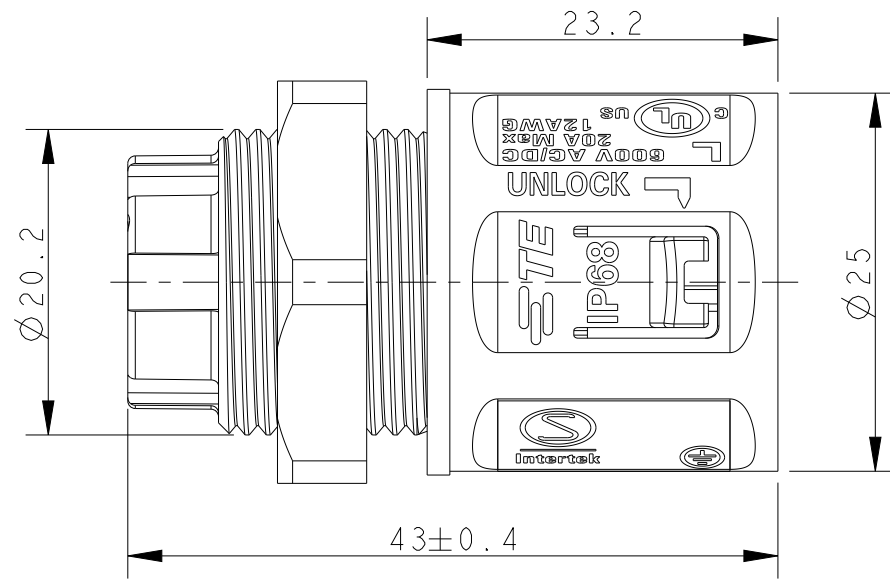


P	LTR	DESCRIPTION	DATE	DWN	APVD
2		DRAFTING UPDATES	03SEP2020	SM	MZ
A		PRODUCT UNDER TESTING	24NOV2020	SM	MZ
A1		RELEASED	18MAR2022	SM	MZ
A2		RELEASED	25MAR2022	SM	MZ

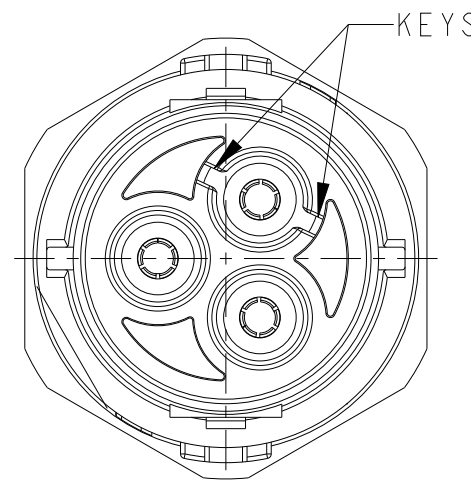
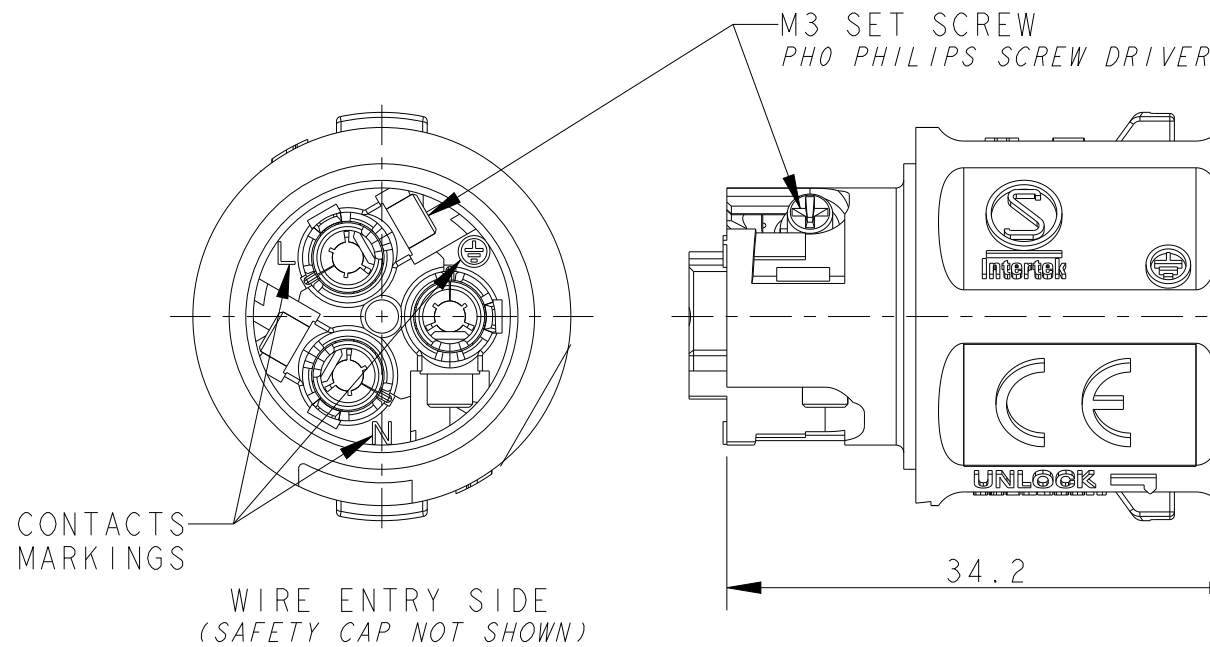


NOTES:

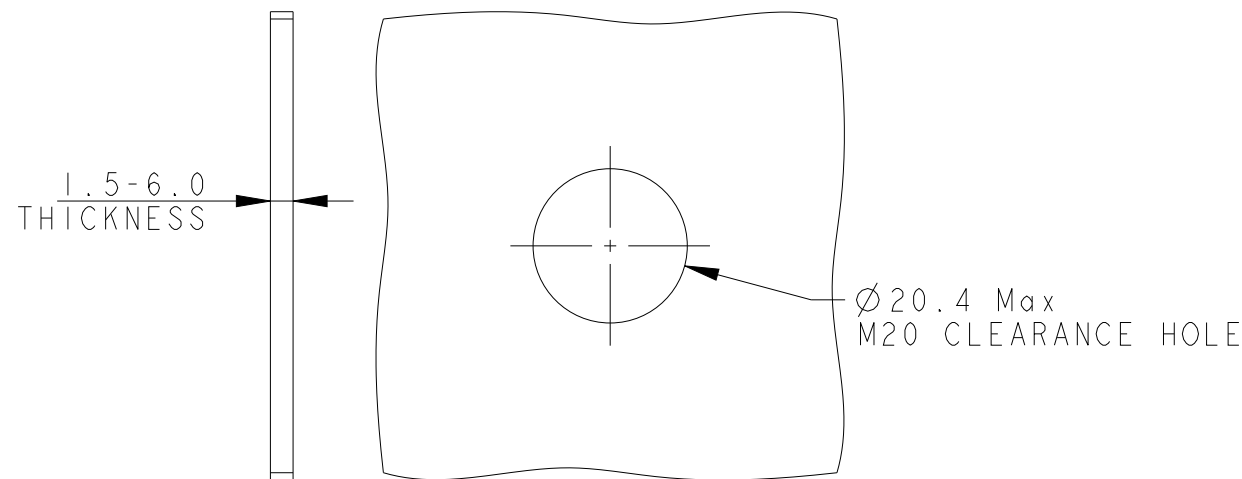
⚠ PART NUMBERS: 1-2359422-1 AND 1-2359422-2 ARE CRIMPED CONTACT VERSIONS. CONTACTS SUPPLIED SEPARATELY ON REELS, MUST PURCHASED ACCORDING TO WIRE SIZES. BELOW ARE THE CONTACT PART NUMBERS:

CONTACT P/N	WIRE SIZE
2359527-1	1.5mm ² TO 2.5mm ² 16AWG TO 14AWG
2359527-2	4.0mm ² 12AWG
2359527-3	18AWG

- MATERIALS:
PLASTICS: PBT+PC ALLOY, UL-V0, UV-FI
CONTACTS: COPPER ALLOY, TIN PLATED
SCREWS : STAINLESS STEEL
- OPERATING RATINGS :
VOLTAGE (max): 600Vac Max
CURRENT (max): 25A ON 4.0mm² & 20A ON 12AWG
TEMPERATURE : -40°C TO 85°C
IP RATING : IP67 & IP68
- FOR ASSEMBLY INSTRUCTIONS, REFER APPLICATION SPECIFICATION 114-133123
- PACKAGING: PPQ 200 pcs IN PE BAG



PANEL CUT-OUT RECOMMENDED SIZE



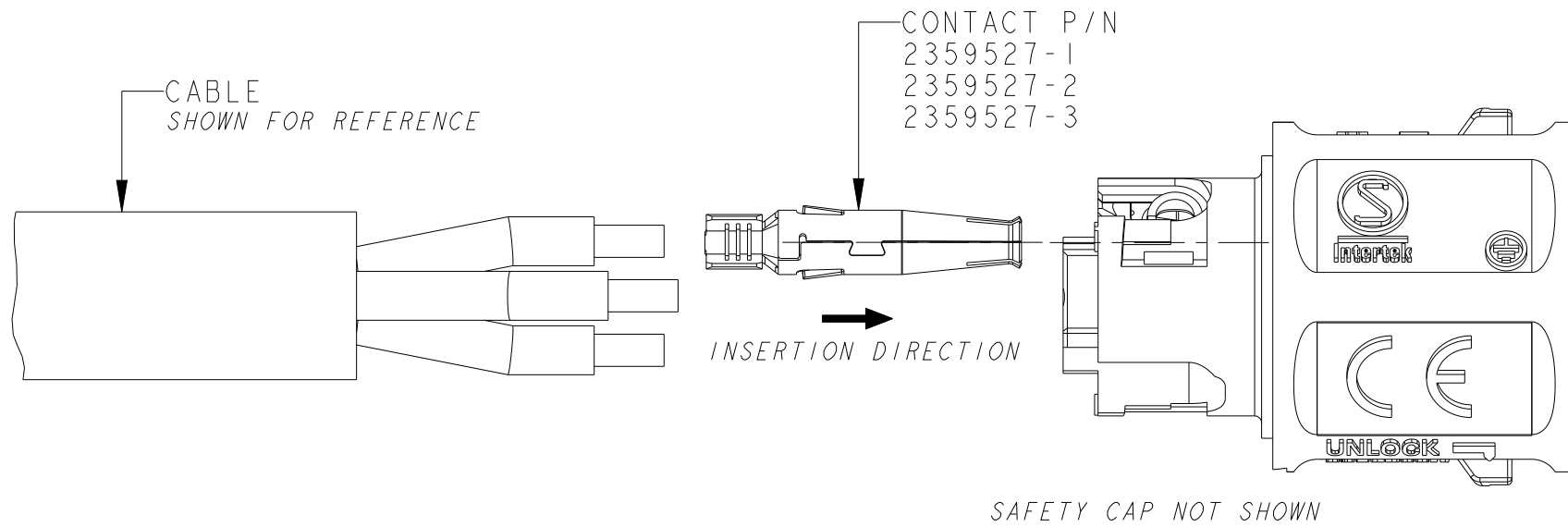
KEY	TERMINATION TYPE	DESCRIPTION	PART NUMBER
KEY B	CRIMP ⚠	PANEL MOUNT SOCKET CONNECTOR	1-2359422-2
KEY A			1-2359422-1
KEY B	SCREW		2359422-2
KEY A			2359422-1

THIS DRAWING IS A CONTROLLED DOCUMENT.		DWN SUBHASH.M 19AUG2020	TE Connectivity	
DIMENSIONS: mm		CHK M. ZUCCA 03SEP2020		
TOLERANCES UNLESS OTHERWISE SPECIFIED:		APVD PETER.OTT 24NOV2020	NAME NECTOR T, 3Pos, SOCKET CONNECTOR PANEL MOUNT	
0 PLC ±0.2 1 PLC ±0.2 2 PLC ±0.1 3 PLC ± 4 PLC ± ANGLES ±°		PRODUCT SPEC 108-133123	SIZE A3	CAGE CODE 00779
MATERIAL		APPLICATION SPEC 114-133123	DRAWING NO C-2359422	RESTRICTED TO
		WEIGHT		
		CUSTOMER DRAWING	SCALE 2:1	SHEET 1 OF 2
			REV A2	

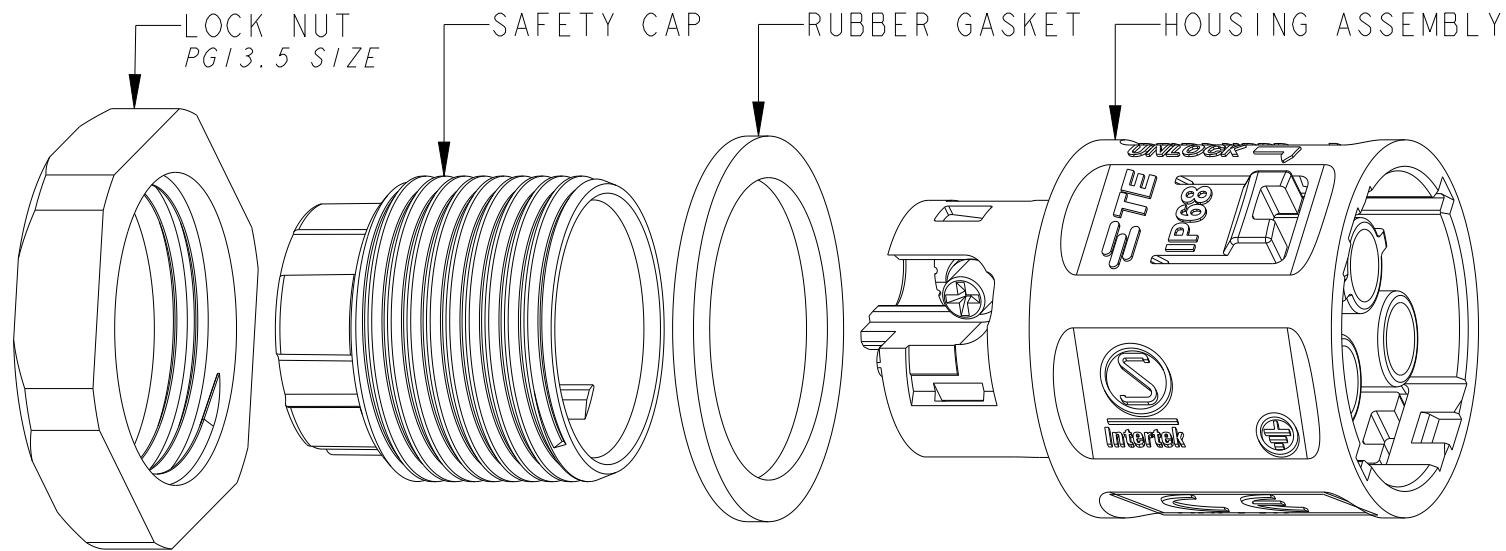
REVISIONS

P	LTR	DESCRIPTION	DATE	DWN	APVD
-	-	SEE SHEET 1	-	-	-

CRIMP TERMINATION TYPE
 1-2359422-1 & 1-2359422-2
 REFER 114-133123 FOR DETAILED INSTRUCTION

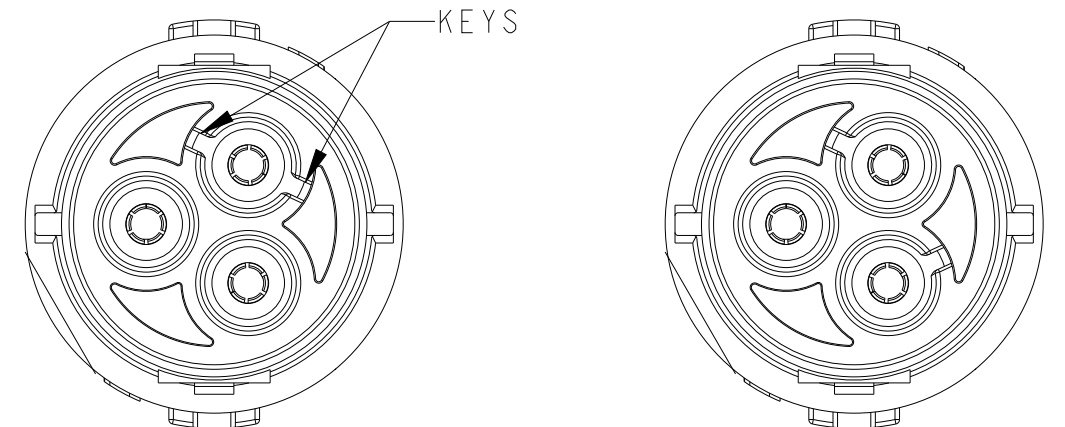


EXPLODED COMPONENTS



POLARIZING KEY A
 2359422-1
 1-2359422-1

POLARIZING KEY B
 2359422-2
 1-2359422-2



THIS DRAWING IS A CONTROLLED DOCUMENT.

DWN 19AUG2020

SUBHASH.M

CHK 03SEP2020

M. ZUCCA

APVD 24NOV2020

PETER.OTT

PRODUCT SPEC

108-133123

APPLICATION SPEC

114-133123

WEIGHT -

CUSTOMER DRAWING



TE Connectivity

NAME
NECTOR T, 3Pos, SOCKET CONNECTOR
PANEL MOUNT

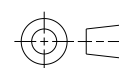
SIZE CAGE CODE DRAWING NO RESTRICTED TO

A3 00779 C-2359422 -

SCALE 2:1 SHEET 2 OF 2 REV A2

DIMENSIONS:

mm



TOLERANCES UNLESS OTHERWISE SPECIFIED:

- 0 PLC ±0.2
- 1 PLC ±0.2
- 2 PLC ±0.1
- 3 PLC ±
- 4 PLC ±
- ANGLES ±°

MATERIAL

-

FINISH

-