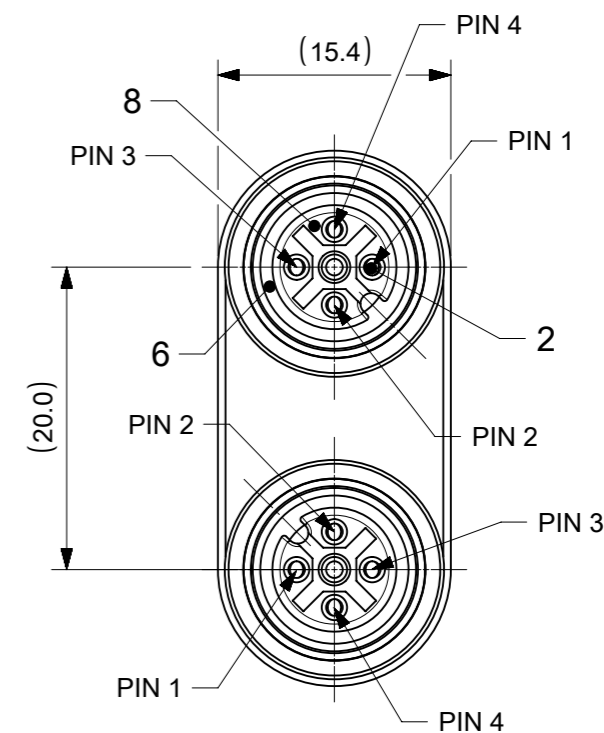
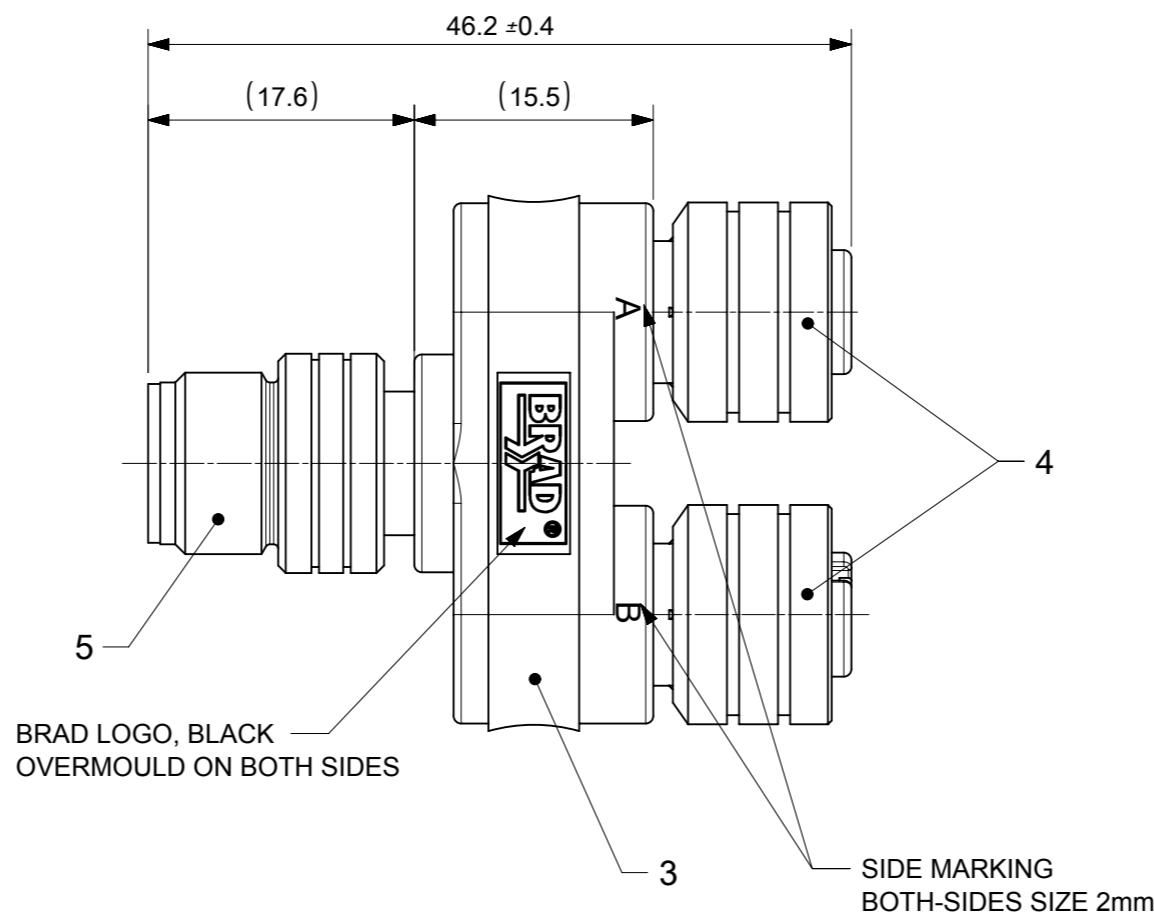


VIEW FROM THE FRONT SIDE



VIEW FROM THE FRONT SIDE

CONNECTOR SPECIFICATION :

VOLTAGE RATING : 250V AC/ 300V DC
 AMPERAGE RATING : MAX. 4 AMPS
 PROTECTION : IP67
 OPERATING TEMPERATURE : -25°C TO +90°C

BILL OF MATERIAL

8	2	INSERT M12 4P FEMALE	PUR	BLACK
7	1	INSERT M12 4P MALE	PUR	BLACK
6	2	GASKET 7.1X1.35	FPM	RED
5	1	COUPLING NUT M12 MALE	BRASS	NICKEL
4	2	COUPLING NUT M12 FEMALE	BRASS	NICKEL
3	-	OVERMOULD	PUR	BLACK
2	8	CONTACTS M12 FEMALE	BRASS	SELECTIVE GOLD
1	4	CONTACTS M12 MALE	COPPER	SELECTIVE GOLD
ITEM	QTY.	DESCRIPTION	MATERIAL	FINISH/COLOR

PRINTING SCHEMATIC
NOT TO SCALE

Part Number: 1200680294

Old Material Number: 0812-04EMF-00000

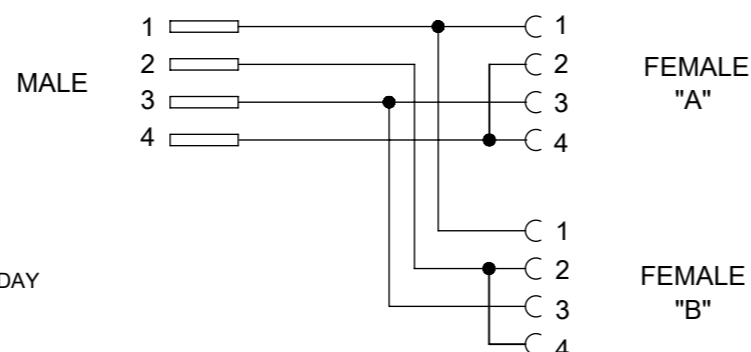
Description: SPL YS M12 4P AC MA FE FE

Quantity: 1

WHERE:
YYYY-YEAR, MM-MONTH, DD-DAY

Date: YYYY/MM/DD
Country: Poland

WIRING DIAGRAM



SYMBOLS		THIS DRAWING CONTAINS INFORMATION THAT IS PROPRIETARY TO MOLEX ELECTRONIC TECHNOLOGIES, LLC AND SHOULD NOT BE USED WITHOUT WRITTEN PERMISSION		CURRENT REV DESC: REDRAWN IN NX		molex			
▽ = 0	mm	SCALE	2:1						
▽ = 0	GENERAL TOLERANCES (UNLESS SPECIFIED)			EC NO: 608988			SPL YS M12 4P AC MA		
▽ = 0	ANGULAR TOL	±	1.0°	DRWN: SSM	2018/12/11	PRODUCT CUSTOMER DRAWING			
▽ = 0	4 PLACES	±		CHK'D: DSTACHOWIAK	2018/12/12	DOCUMENT NUMBER			
▽ = 0	3 PLACES	±		APPR: DSTACHOWIAK	2018/12/12	1200680294			
▽ = 0	2 PLACES	±	0.05	INITIAL REVISION:			DOC TYPE	DOC PART	REVISION
▽ = 0	1 PLACE	±	0.3	DRWN: SSM	2018/11/27	PSD	000	A1	
▽ = 0	0 PLACES	±	0.5	APPR: RSILLER	2018/11/29	SHEET NUMBER			
■ = 0	DRAFT WHERE APPLICABLE MUST REMAIN WITHIN DIMENSIONS			THIRD ANGLE PROJECTION	DRAWING	SERIES	MATERIAL NUMBER	CUSTOMER	SHEET NUMBER
▽ = 0				⊕	A3-SIZE	120068	1200680294	GENERAL MARKET	1 OF 1