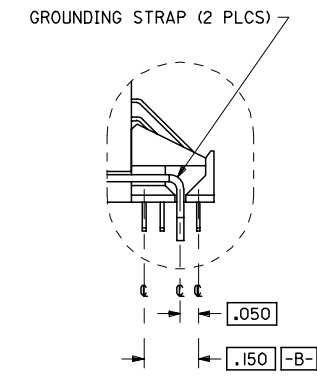
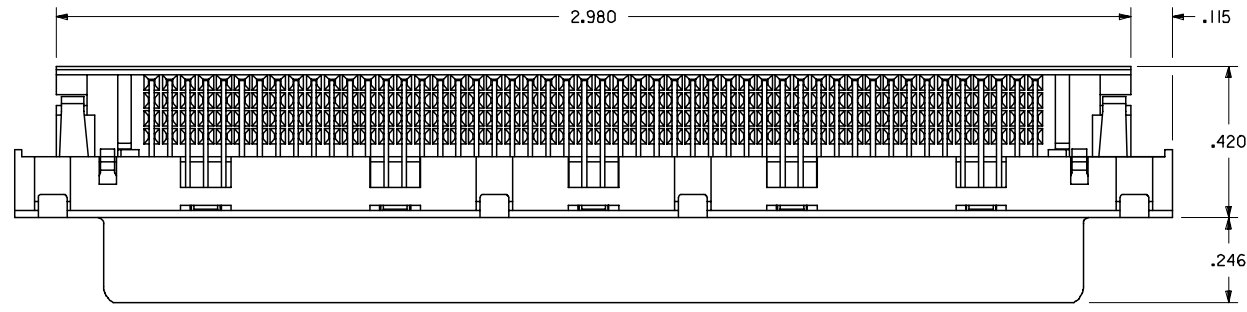
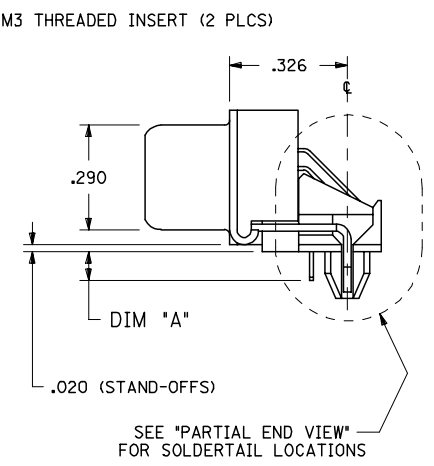
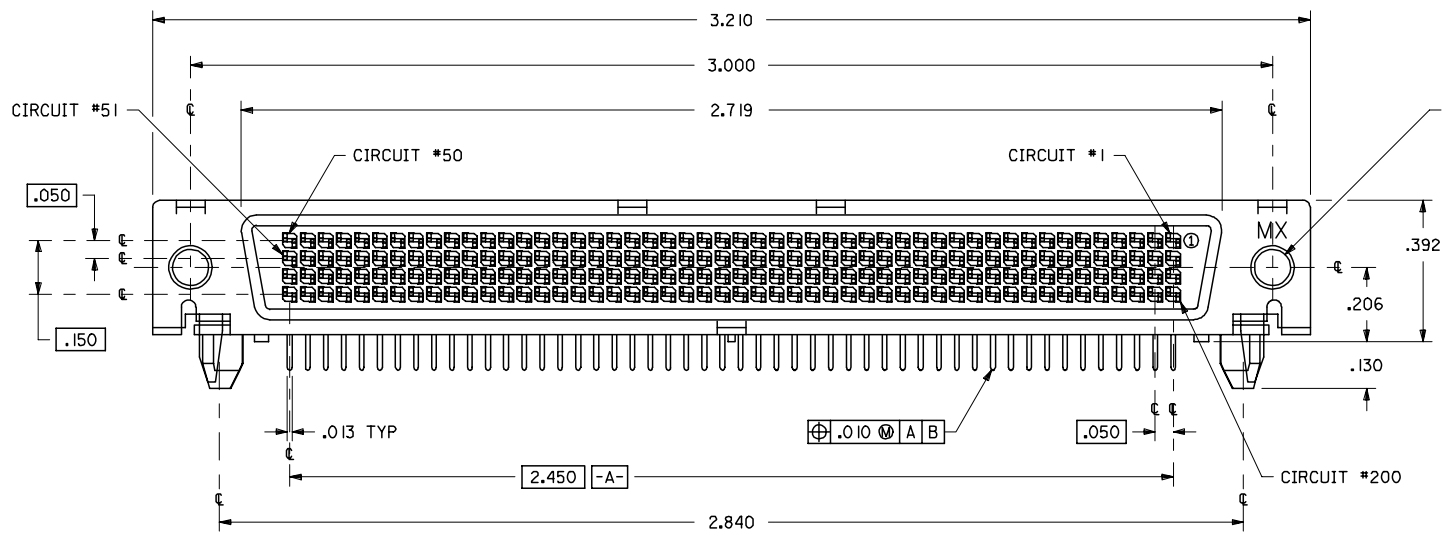


13 12 11 10 9 8 7 6 5 4 3 2 1



PARTIAL END VIEW  
(MOUNTING PEG OMITTED FOR CLARITY)



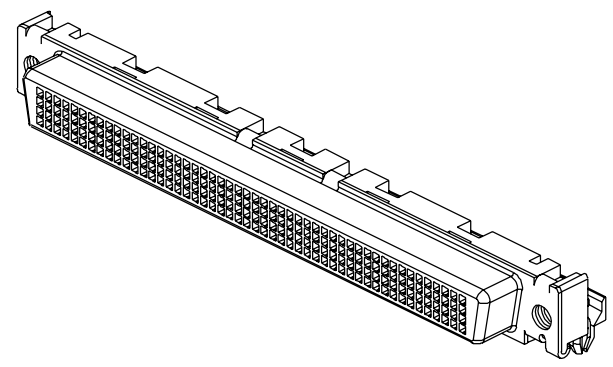
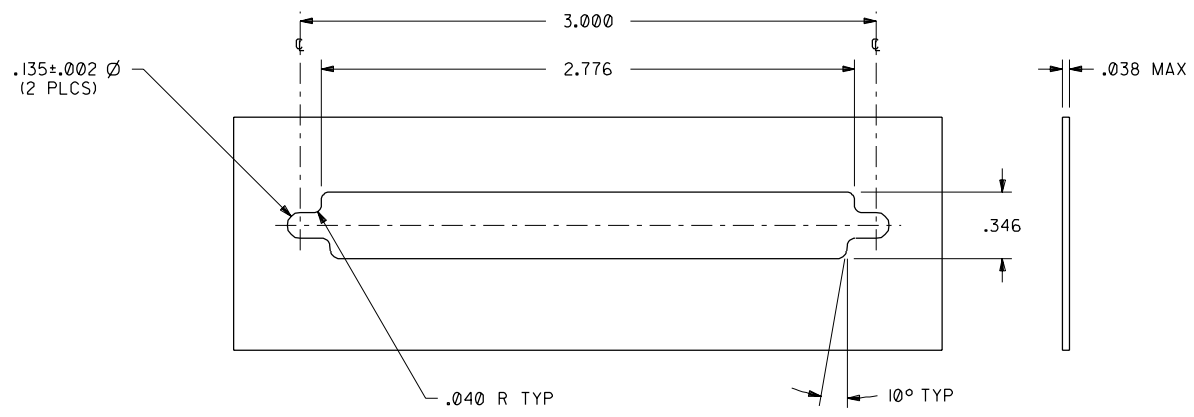
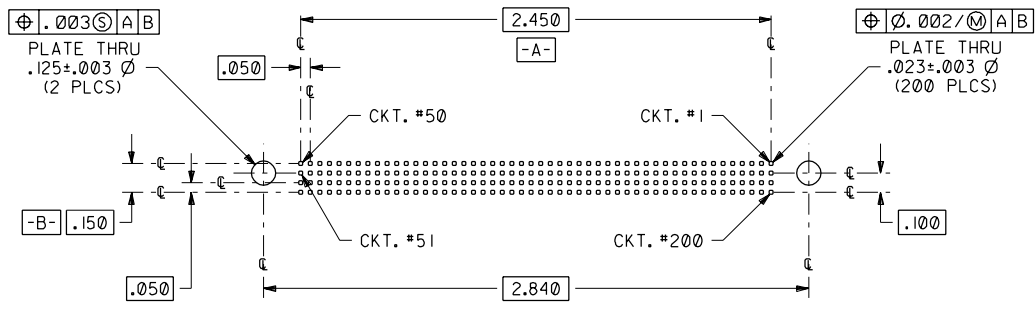
- NOTES:
- MATERIALS:  
HOUSING, TAIL ALIGNER, AND INSERT-MOLDED STICKS ARE GLASS FILLED LCP (LIQUID CRYSTAL POLYMER), U.L. 94 V-0, COLOR IS BLACK; THE FEMALE TERMINALS ARE BERYLLIUM COPPER, 0.010" THICK; AND THE OUTER SHELL IS LOW-CARBON STEEL, .020" THICK.
  - TERMINAL PLATING:  
30 MICROINCHES/(0.76 MICROMETER) MINIMUM OF GOLD IN SELECTIVE AREA; 100 MICRO-INCHES MINIMUM OF TIN IN SELECTIVE AREA; ALL OVER NICKEL UNDERPLATE OVERALL.
  - OUTER SHELL FINISH:  
150 MICROINCHES/(3.81 MICROMETER) MINIMUM OF BRIGHT TIN; OVER 50 MICROINCHES/(3.81 MICROMETER) OF NICKEL; OVER COPPER FLASH (OPTIONAL).
  - PARTS CONFORM TO MOLEX PRODUCT SPECIFICATION \*PS-71718-9999.
  - PACKAGING PER MOLEX SPECIFICATION \*PK-70873-0299.
  - SEE SHEET #2 FOR PART NUMBERS, RECOMMENDED BOARD LAYOUT AND PANEL CUT-OUT.
  - PART COMPLIES WITH CLASS B OF COSMETIC SPECIFICATION PS-45499-002

NOTE FOR LEAD FREE CONVERSION:  
THE PRIMARY SHIPPING CARTON WILL BE LABELED \*COMPLIANT TO RoHS DIRECTIVE 2002/95/EC AND ELV ANNEX II OF DIRECTIVE 2000/53/EC\*. CARTONS WITHOUT THIS LABEL MAY CONTAIN PRODUCT WITH LEAD.

71718-2001	.120±.010	2	F1
71718-2000	.079±.010	1	H
ITEM NUMBER	DIM. A	SHT	REV

ADD NOTE 7 EC NO: UCP2006-3051 DRWN:MS:BARRA 2006/07/10 CHKD:DMORGAN 2006/07/10 APPR:SMILLER 2006/07/11	QUALITY SYMBOLS ▽=0 ▽=0	GENERAL TOLERANCES (UNLESS SPECIFIED) mm INCH 4 PLACES ± --- ± --- 3 PLACES ± --- ± .010 2 PLACES ± --- ± --- 1 PLACE ± --- ± --- ANGULAR ±1/2°	DIMENSION STYLE INCH ONLY DRAWN BY DATE GLT 1995/05/15 CHECKED BY DATE GLT 1995/05/15 APPROVED BY DATE JWF 1995/05/15	SCALE 4:1 DESIGN UNITS INCH THIRD ANGLE PROJECTION	TITLE .050 PITCH LFH 200 CKT RIGHT ANGLE I/O RECEPTACLE SALES ASSY	MATERIAL NO. SEE TABLE	DOCUMENT NO. SDA-71718-2***	SHEET NO. 1 OF 2
		DRAFT WHERE APPLICABLE MUST REMAIN WITHIN DIMENSIONS	THIS DRAWING CONTAINS INFORMATION THAT IS PROPRIETARY TO MOLEX INCORPORATED AND SHOULD NOT BE USED WITHOUT WRITTEN PERMISSION					

12 11 10 9 8 7 6 5 4 3 2 1



DIMENSIONS SHOWN <input type="checkbox"/> INCH <input checked="" type="checkbox"/> METRIC		UNLESS OTHERWISE SPECIFIED TOLERANCES: ANGULAR ± 1/2°		▽ = 0 ▼ = 0		REVISE ONLY ON CAD SYSTEM	
5 PLACE ± .010		INCH		METRIC		TITLE .050" PITCH LFH, 200 CKT. RIGHT ANGLE I/O RECEPTACLE, SALES ASSEMBLY	
2 PLACE ± --- ± ---		---		---		MOLEX INCORPORATED SHEET NO. DATE L1SLE,ILL. 60532 U.S.A. 2 05/15/95	
1 PLACE --- ± ---		---		---		PART NO. DRWG. NO. SEE CHART SDA-71718-2***	
DRAFT WHERE APPLICABLE MUST REMAIN WITHIN DIMENSIONS		DRAWN BY: GLT		CHK'D BY: GLT		FILE NAME: S7171802	
APPR'D BY: GWF		SCALE: 2:1		DIV.:		SIZE: CPP C	
LTR. REVISIONS		LTR. REVISIONS		MFG. SH. REV.		THIS DRAWING CONTAINS INFORMATION THAT IS PROPRIETARY TO MOLEX INC. AND SHOULD NOT BE USED WITHOUT WRITTEN PERMISSION.	