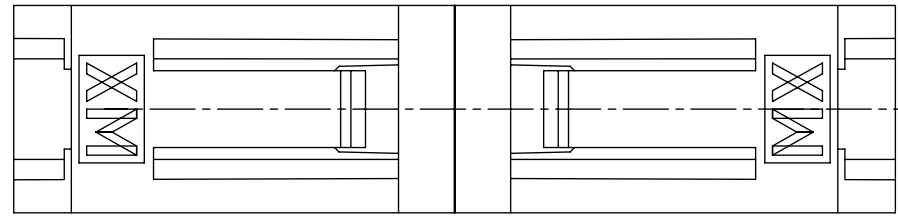
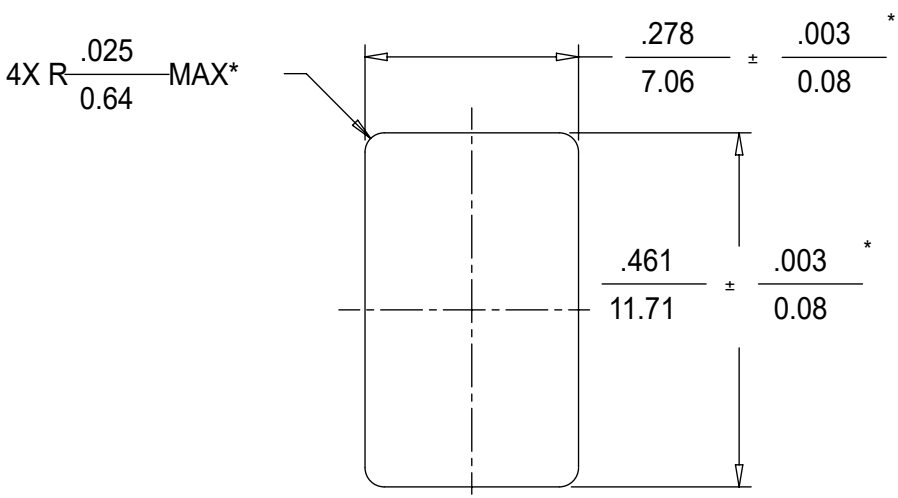
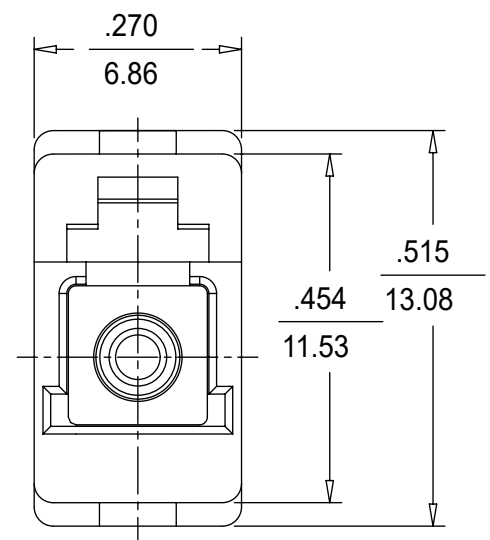
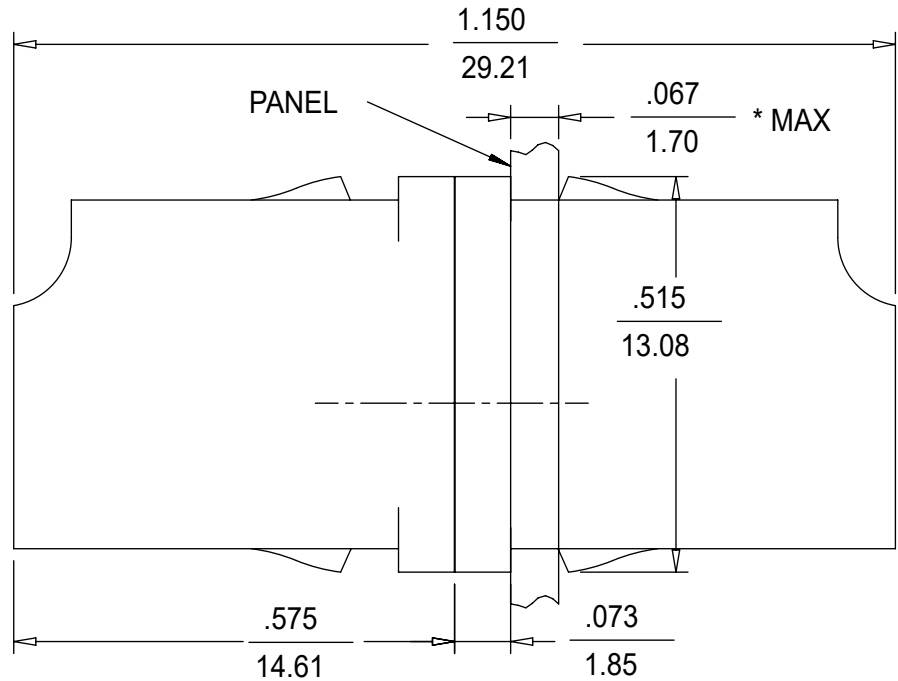


ADAPTER P/N	COLOR	SPLIT SLEEVE MATERIAL
106124-1100	BLUE	ZIRCONIA - ZrO <sub>2</sub>
106124-0110	BEIGE	
106124-1150	GREEN	
106124-0100	BLUE	
106124-1110	BEIGE	
106124-1130	BLACK	



(DUST CAPS ARE NOT SHOWN)



NOTES:  
1. ALL DIMENSIONS ARE FOR REFERENCE ONLY, EXCEPT WHEN MARKED WITH (\*).

RECOMMENDED PANEL CUTOUT  
PANEL THICKNESS  $\frac{.067}{1.70}$  MAX.

FUNCTIONAL SYMBOLS FA = 0 FB = 0 FC = 0	THIS DRAWING CONTAINS INFORMATION THAT IS PROPRIETARY TO MOLEX ELECTRONIC TECHNOLOGIES, LLC AND SHOULD NOT BE USED WITHOUT WRITTEN PERMISSION		CURRENT REV DESC:		<b>molex</b>			
	DIMENSION UNITS	SCALE	EC NO: 652962					
	INCH/MM	1:1	DRWN: SKRISHNAMU01 2021/05/28		LC ADAPTER			
	GENERAL TOLERANCES (UNLESS SPECIFIED)		CHK'D: WCHEN 2021/08/24					
ANGULAR TOL ± 0.5°		APPR: WCHEN 2021/08/24		PRODUCT CUSTOMER DRAWING				
4 PLACES ±		INITIAL REVISION:						
3 PLACES ±		DRWN: PGIBLIN 2005/10/25		DOCUMENT NUMBER		DOC TYPE	DOC PART	REVISION
2 PLACES ±		APPR: IGUMIN 2005/10/26		SD-106124-X1X0		PSD	001	C
1 PLACE ±		THIRD ANGLE PROJECTION		MATERIAL NUMBER		CUSTOMER		SHEET NUMBER
0 PLACES ±		DRAWING		SEE TABLE		GENERAL MARKET		1 OF 1
DRAFT WHERE APPLICABLE MUST REMAIN WITHIN DIMENSIONS		B-SIZE		SERIES				
		106124						