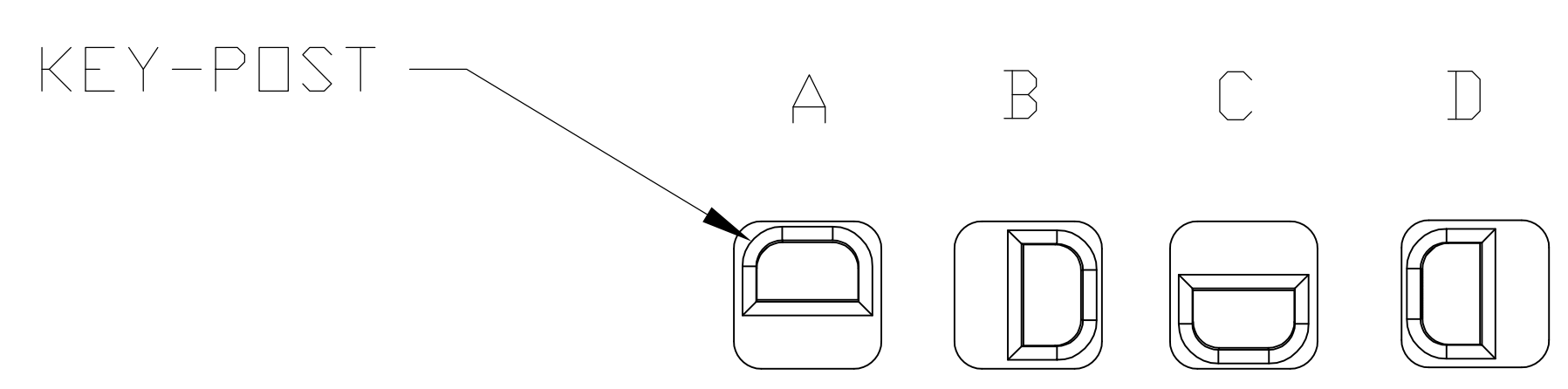


CODE NUMBER 08 SHOWN: B-D  
 POLARIZATION KEY 1 ——— POLARIZATION KEY 2

### PLUG CONNECTOR POLARIZATION



CODE NUMBER	KEY 1	KEY 2
01	A	A
02	A	B
03	A	C
04	A	D
05	B	A
06	B	B
07	B	C
08	B	D
09	C	A
10	C	B
11	C	C
12	C	D
13	D	A
14	D	B
15	D	C
16	D	D

### KEY-POST ORIENTATION

THIS PRINT IS  
**PRELIMINARY**  
 UNQUALIFIED PRODUCT  
 CONTACT PRODUCT ENGINEERING  
 BEFORE USING THIS PRINT

1738236-1  
 PART NUMBER

THIS DRAWING IS A CONTROLLED DOCUMENT.		REV. FLAG	DATE	BY	CHKD	DATE	BY	Tyco Electronics Corporation Harrisburg, Pa 17105-3608	
DIMENSIONS: (UNLESS OTHERWISE SPECIFIED):		MATERIAL		MATERIAL		MATERIAL		Tyco Electronics Corporation	
D. P.L.C. ± .005		L. MOSIER		L. MOSIER		L. MOSIER		PLUG SHELL KIT WITH POLARIZING HARDWARE GPRB1	
F. P.L.C. ± .010		PRODUCT SPEC		PRODUCT SPEC		PRODUCT SPEC		SIZE	
G. P.L.C. ± 0.13 (MAX)		APPLICATION SPEC		APPLICATION SPEC		APPLICATION SPEC		DRAWING NO.	
H. P.L.C. ± .005		WEIGHT		WEIGHT		WEIGHT		A000779	
I. P.L.C. ± .005		CUSTOMER DRAWING		CUSTOMER DRAWING		CUSTOMER DRAWING		SCALE 2:1	
MATERIAL		FINISH		FINISH		FINISH		SHEET 2 OF 2	
MATERIAL		FINISH		FINISH		FINISH		REV 2	