



LED cover for position switch Metal 3SE51 2 LEDs, yellow/green, 110-230 V AC Color turquoise

product designation	cover with LED 230 V AC, for wide enclosures for position switch, metal, turquoise
General technical data	
degree of pollution	class 3
protection class IP	IP66/IP67
shock resistance	
• according to IEC 60068-2-27	30g / 11 ms
vibration resistance according to IEC 60068-2-6	0.35 mm/5g
Substance Prohibitation (Date)	07/01/2006
length of the sensor	78 mm
width of the sensor	56 mm
design of the interface for safety-related communication	without
Enclosure	
design of the housing	block, wide
coating of the enclosure	cathodic dip coating
Drive Head	
design of the actuating element	Other, without, cover
Communication/ Protocol	
design of the interface	without
Ambient conditions	
ambient temperature	
• during operation	-25 ... +60 °C
• during storage	-40 ... +90 °C
explosion protection category for dust	none
Supply voltage	
type of voltage of the supply voltage of the optional LED display	AC
supply voltage	
• of LED	230 V
Installation/ mounting/ dimensions	
mounting position	any
fastening method	screw fixing
Certificates/ approvals	
General Product Approval	



[Confirmation](#)



Functional Safety/Safety of Machinery	Declaration of Conformity	Test Certificates	other
---------------------------------------	---------------------------	-------------------	-------

[Type Examination Certificate](#)



[Type Test Certificates/Test Report](#)

[Confirmation](#)

Further information

Information- and Downloadcenter (Catalogs, Brochures,...)

<https://www.siemens.com/ic10>

Industry Mall (Online ordering system)

<https://mall.industry.siemens.com/mall/en/en/Catalog/product?mlfb=3SE5120-3AA00>

Cax online generator

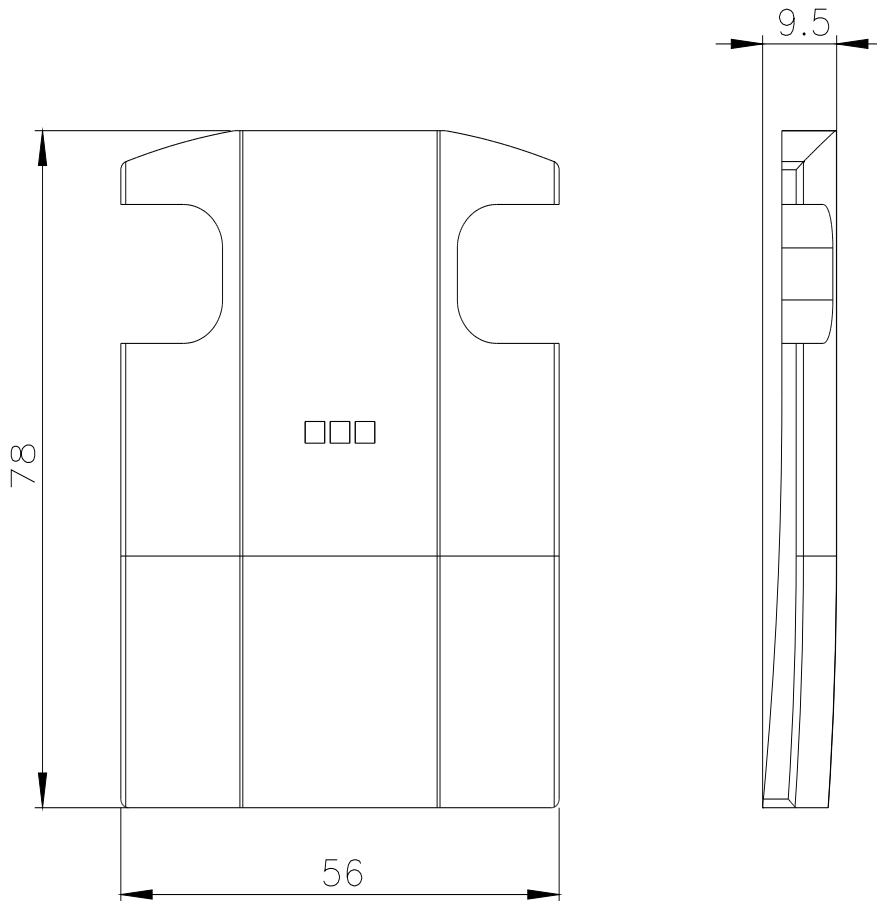
<http://support.automation.siemens.com/WW/CAXorder/default.aspx?lang=en&mlfb=3SE5120-3AA00>

Service&Support (Manuals, Certificates, Characteristics, FAQs,...)

<https://support.industry.siemens.com/cs/ww/en/ps/3SE5120-3AA00>

Image database (product images, 2D dimension drawings, 3D models, device circuit diagrams, EPLAN macros, ...)

http://www.automation.siemens.com/bilddb/cax_de.aspx?mlfb=3SE5120-3AA00&lang=en



last modified:

1/26/2022