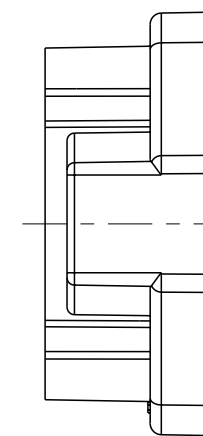
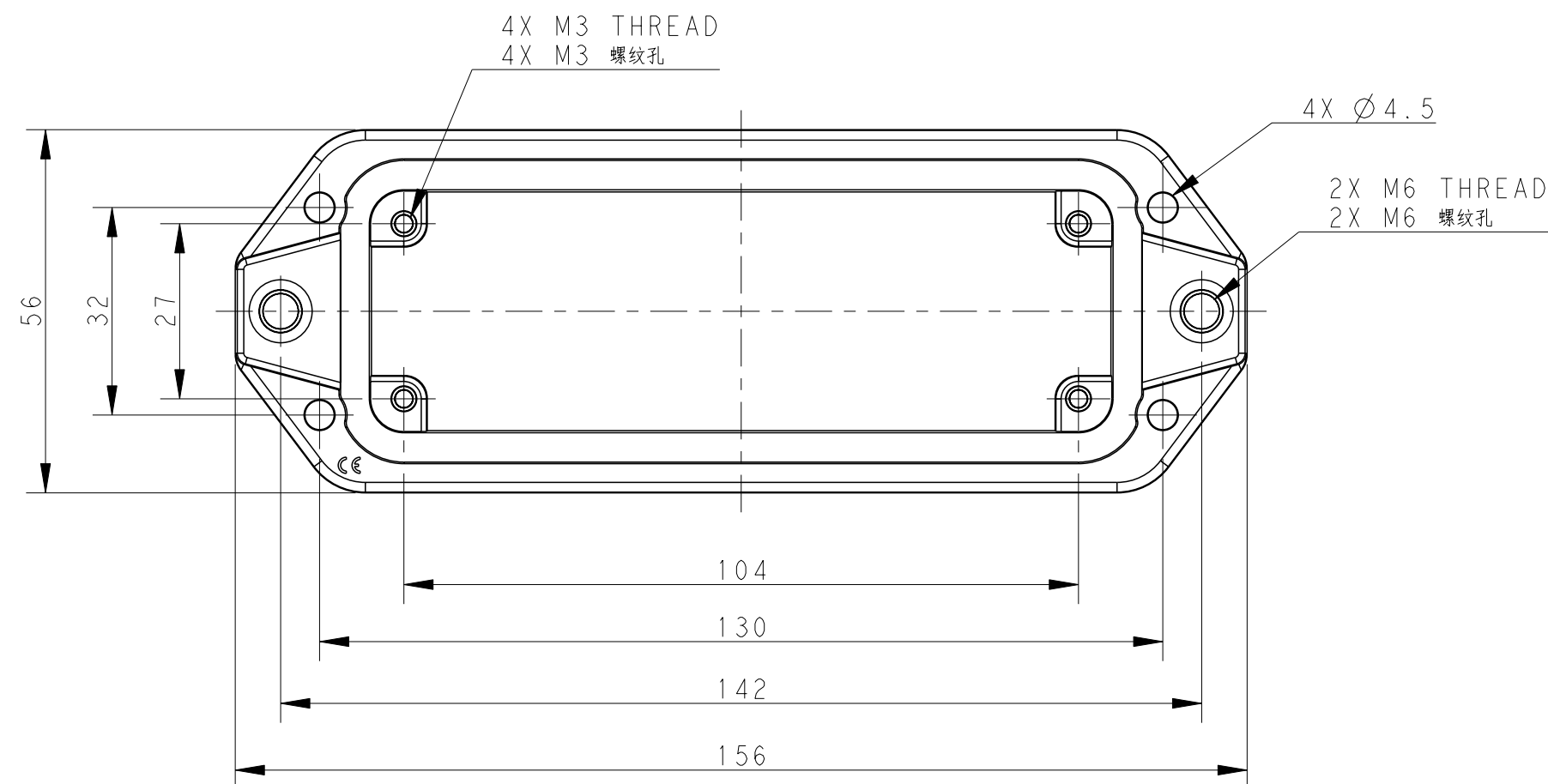


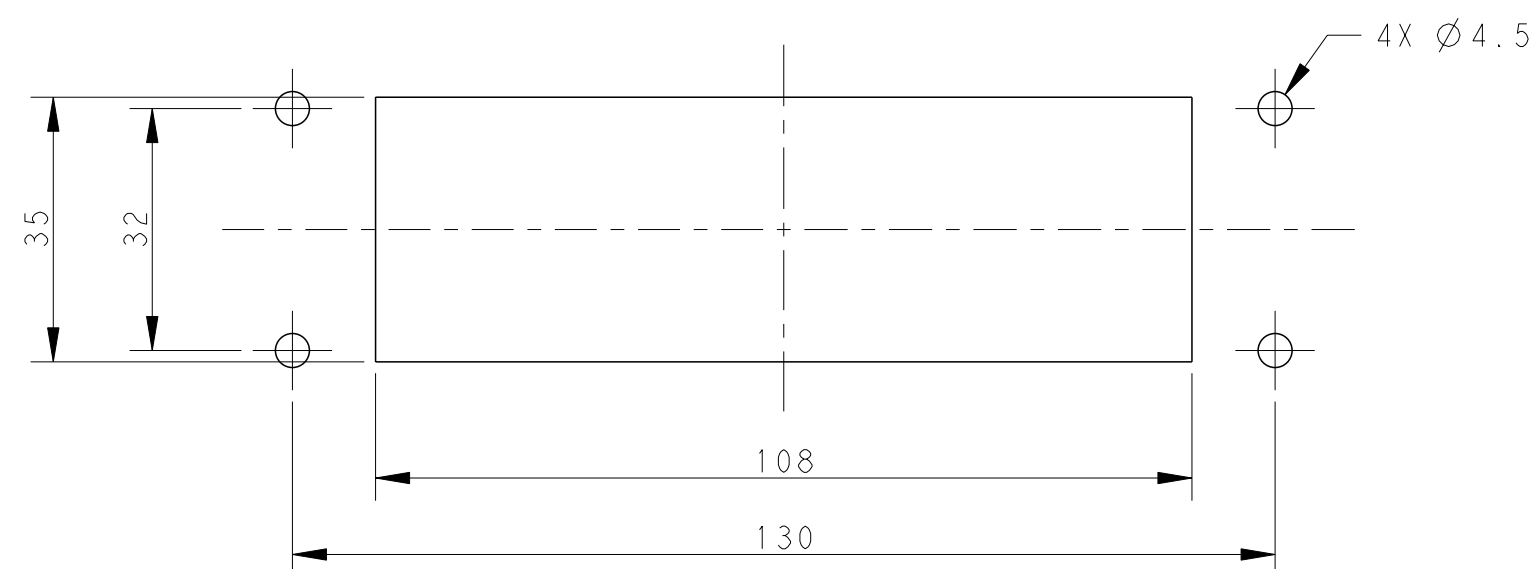
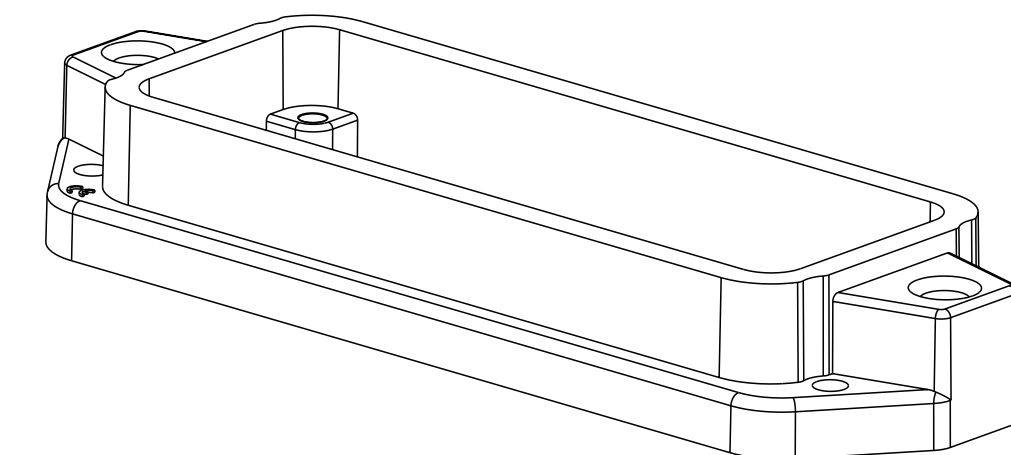
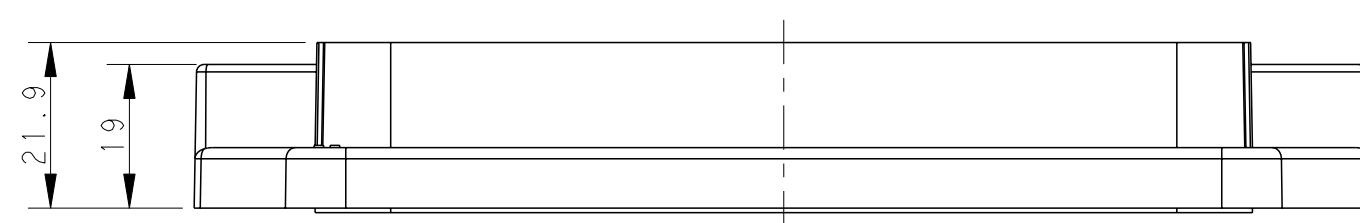
THIS DRAWING IS UNPUBLISHED. RELEASED FOR PUBLICATION 20  
 © COPYRIGHT 20 BY - ALL RIGHTS RESERVED.

REVISIONS					
P	LTR	DESCRIPTION	DATE	DWN	APVD
A		INITIAL RELEASE	15JUN2016	DW	CW
B		ECR-20-016312	04JUN2021	BS	CW



NOTES:  
 1. TECHNICAL CHARACTERISTICS:  
 HOUSING MATERIAL: DIE CAST ALUMINIUM ALLOY  
 SURFACE: SEE TABLE  
 DEGREE OF PROTECTION: IP68 (MATED)

注释  
 1. 技术参数:  
 壳体材料: 铝合金  
 表面处理: 见表格  
 防护等级: IP68 (配合)



Panel Cut Out  
面板开口尺寸

T1932242000-009	H24BPR-AGC-EMC-C H24BPR HOUSING, CENTER LOCKING, BULKHEAD MOUNTED, POWDER COATED, GREY H24BPR中部锁定开孔下壳 灰色
T1932241000-009	H24BPR-AGC-EMC-C H24BPR HOUSING, CENTER LOCKING, BULKHEAD MOUNTED, POWDER COATED, SILVER WHITE H24BPR中部锁定开孔下壳 银白色
T1932240000-009	H24BPR-AGC-EMC-C H24BPR HOUSING, CENTER LOCKING, BULKHEAD MOUNTED, POWDER COATED, BLACK H24BPR中部锁定开孔下壳 黑色
PART NUMBER 料号	DESCRIPTION 描述

THIS DRAWING IS A CONTROLLED DOCUMENT.		DWN DAVID WANG 15JUN2016	TE Connectivity		
DIMENSIONS: mm		CHK CHRIS WANG 15JUN2016			
TOLERANCES UNLESS OTHERWISE SPECIFIED:		APVD XIANG XU 15JUN2016	NAME H24BPR-AGC-EMC-C		
0 PLC ± 1 PLC ± 2 PLC ± 3 PLC ± 4 PLC ± ANGLES ± FINISH		PRODUCT SPEC 108-137191	DRAWING NO G-T193224XXXXX09		
MATERIAL		APPLICATION SPEC 114-137191	SIZE A2	CAGE CODE -	RESTRICTED TO
		WEIGHT -	SCALE 1:1 SHEET 1 OF 1 REV B		
		CUSTOMER DRAWING			