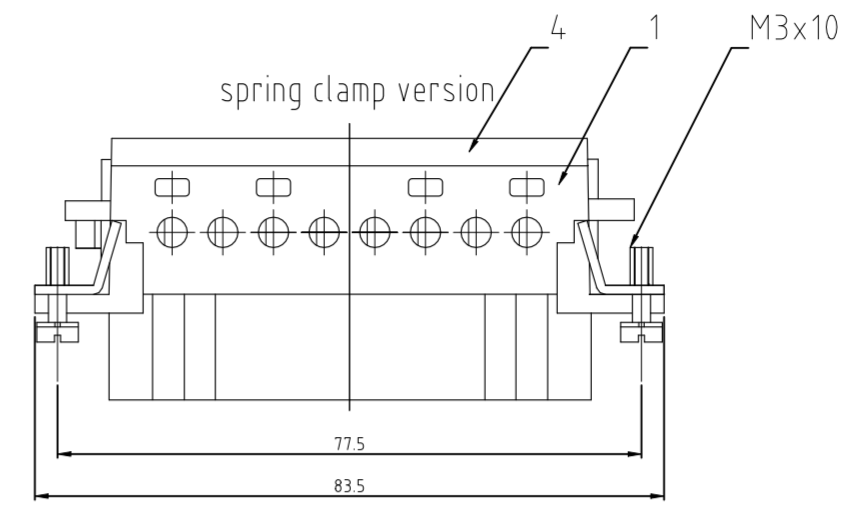
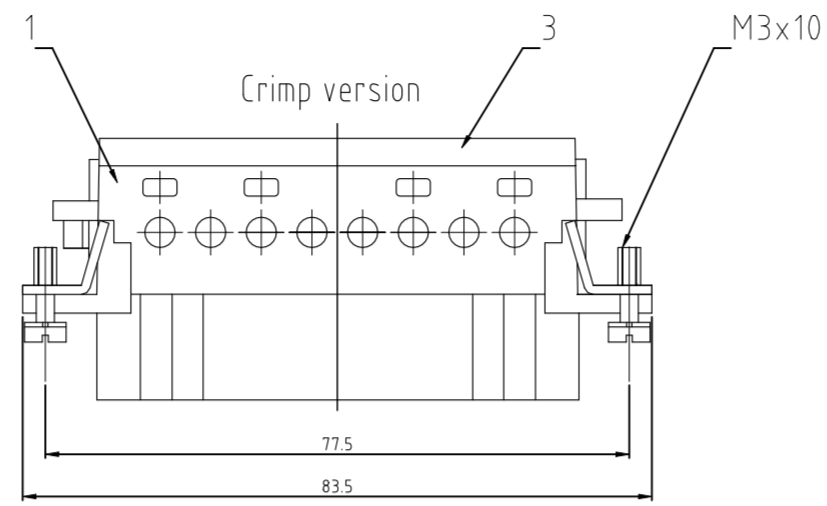
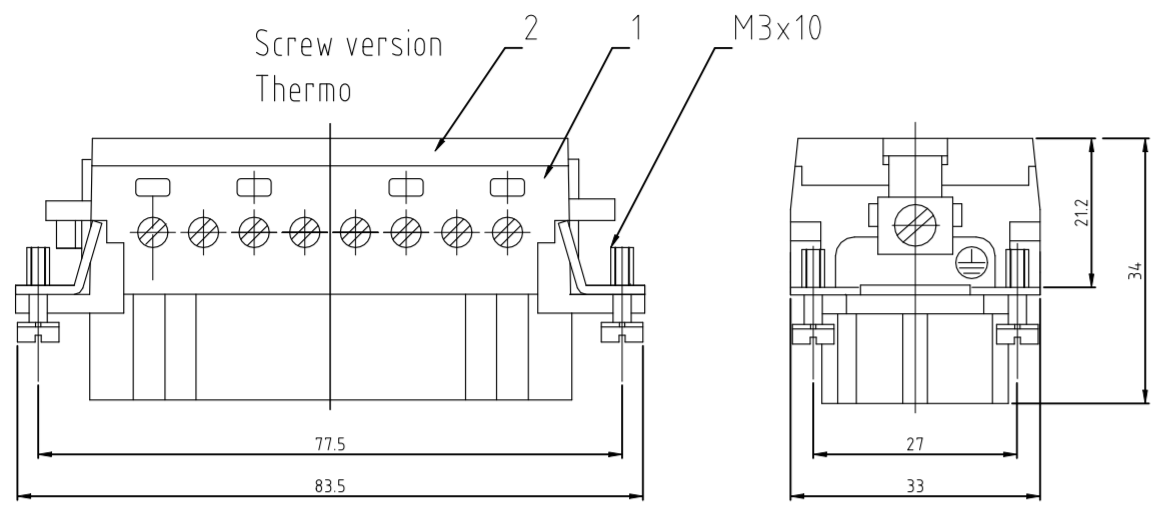


THIS DRAWING IS UNPUBLISHED.
VERTRÄULICHE UNVERÖFFENTLICHTE ZEICHNUNG

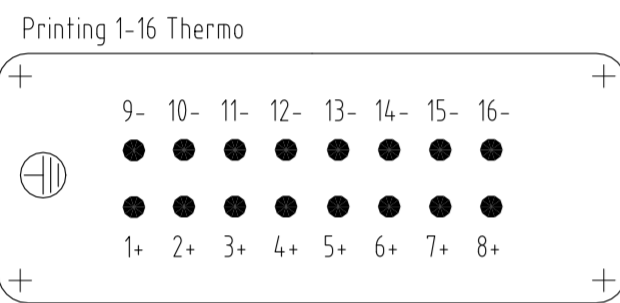
RELEASED FOR PUBLICATION
FREI FUER VERÖFFENTLICHUNG
ALL RIGHTS RESERVED.
ALLE RECHTE VORBEHALTEN

MATED WITH:
PASSEND ZU:
HE

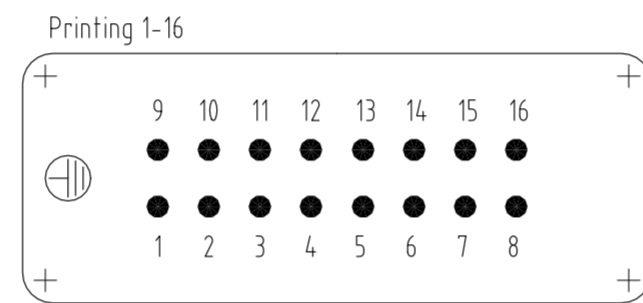
REVISIONS				
P	LTR	DESCRIPTION	DATE	APVD
C13	ECR-21-123503	BESCHREIBUNG	06JUL2022	RK JB



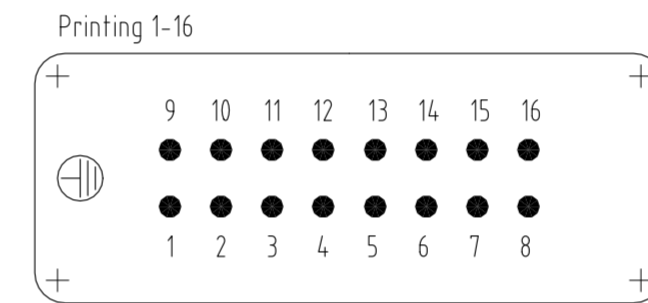
Contact arrangement view from termination side



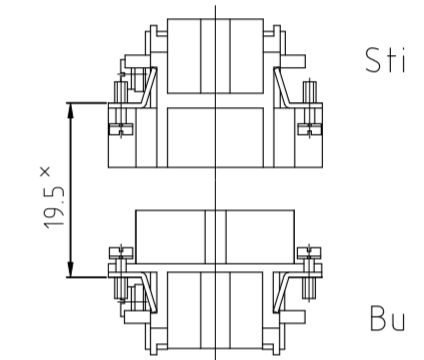
Contact arrangement view from termination side



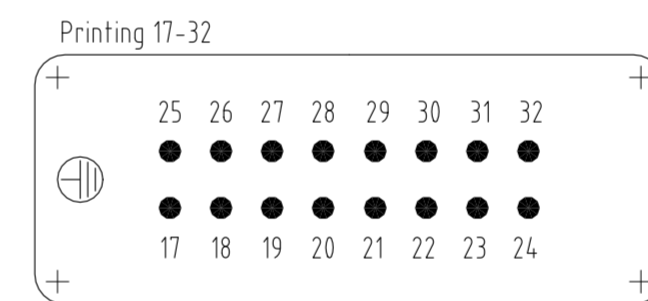
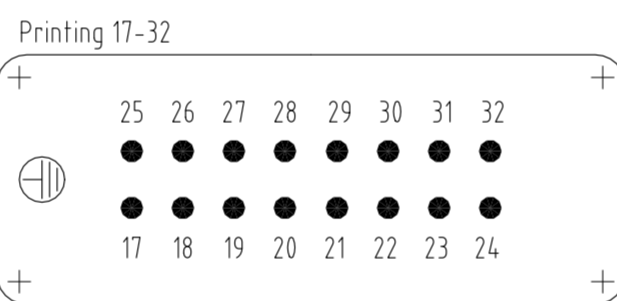
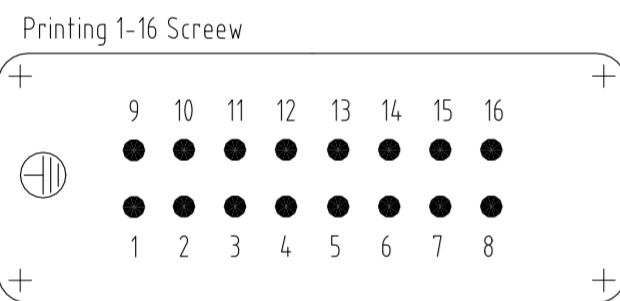
Contact arrangement view from termination side



assembly directions

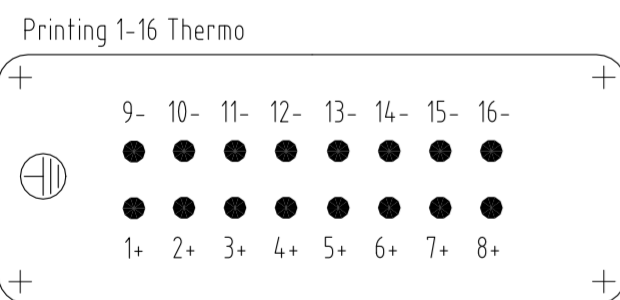


X distance for a safe contact max: max: 21 mm

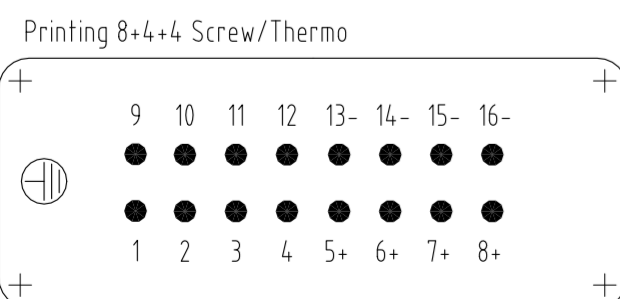
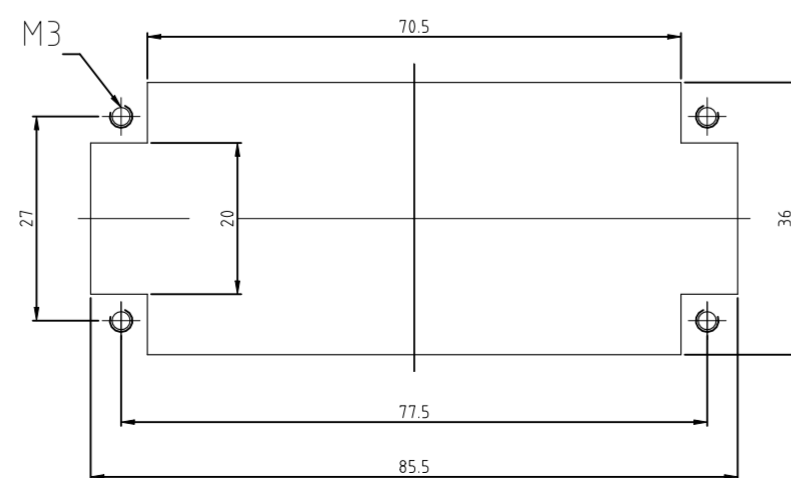


NOTES:

- SUITABLE CRIMP CONTACTS: SERIES HE/HA
OUTER DIMENSIONS OF INSULATION: MAX. $\phi 3,2$ MM
- SUITABLE HOOD SIZE 6; 10; SERIES HB; HD;HIP,EMV
SUITABLE INSERTION AND EXTRACTION TOOL:
SCREWDRIVER 0,5x3 DIN 5264
- Strip lenght: Screw conection 10mm
Spring clamp conection 10mm Crimp conection 7.5mm
- STANDARDS:
DIN EN 61984; DIN EN 60664-1
- PACKAGING:
5 SETS IN A CARTON, PRE-MOUNTED
- SPECIAL PACKAGING: Krauss-Maffei
PACKAGING UNIT: 200 PIECES



Panel cut-out for contact insert when used without housing



OBSOLETE	OBSOLETE	OBSOLETE	OBSOLETE	OBSOLETE	OBSOLETE	OBSOLETE	OBSOLETE
HE.16.Bu.S.B1-16-KM	HE.16.Bu.S.T-B-8+4+4	HE.16.Bu.S.B1-16-AU	HE.16.Bu.S.C.B-17-32	HE.16.Bu.S.C.B-1-16	HE.16.Bu.C.B-1-16	HE.16.Bu.S.B-17-32	HE.16.Bu.S.T-B-1-16

DESCRIPTION / BENENNUNG	MATERIAL	COLOR / FARBE	ITEM NO. POS.	REMARKS / BEMERKUNGEN
Deckel Federklemmversion		lichtgrau	4	
Deckel Crimpversion		lichtgrau	3	
Deckel Schraubversion		lichtgrau	2	
Buchseneinsatz		lichtgrau	1	

THIS DRAWING IS A CONTROLLED DOCUMENT. DIESE ZEICHNUNG IST EIN KONTROLLIERTES DOKUMENT.		DWN 08.02.2000	TE Connectivity
DIMENSIONS: MASSENHEITEN mm		CHK 08.02.2000	
TOLERANCES, UNLESS OTHERWISE SPECIFIED: ALLGEMEINTOLERANZEN		APVD -	NAME
0 PLC ±		PRODUCT SPEC	Female insert HE.16.BU.C/S
1 PLC ±		PRODUKTSPEZ.	
2 PLC ±		APPLICATION SPEC.	SIZE
3 PLC ±		VERARBEITUNGSSPEZ.	CAGE CODE
4 PLC ±		WEIGHT	DRAWING NO.
ANGLES / WINKEL ±		GEWICHT	ZEICHNUNGS-NR.
FINISH / OBERFLAECHE / FARBE		A2	SCALE
MATERIAL		00779	MASSTAB
ORDERING TEXT / BESTELLTEXT		C=1103639	SHEET
		CUSTOMER DRAWING / KUNDENZEICHNUNG	BLATT
		SCALE 1:1	1 OF 1
		RESTRICTED TO NUR FUER	REV
		C13	