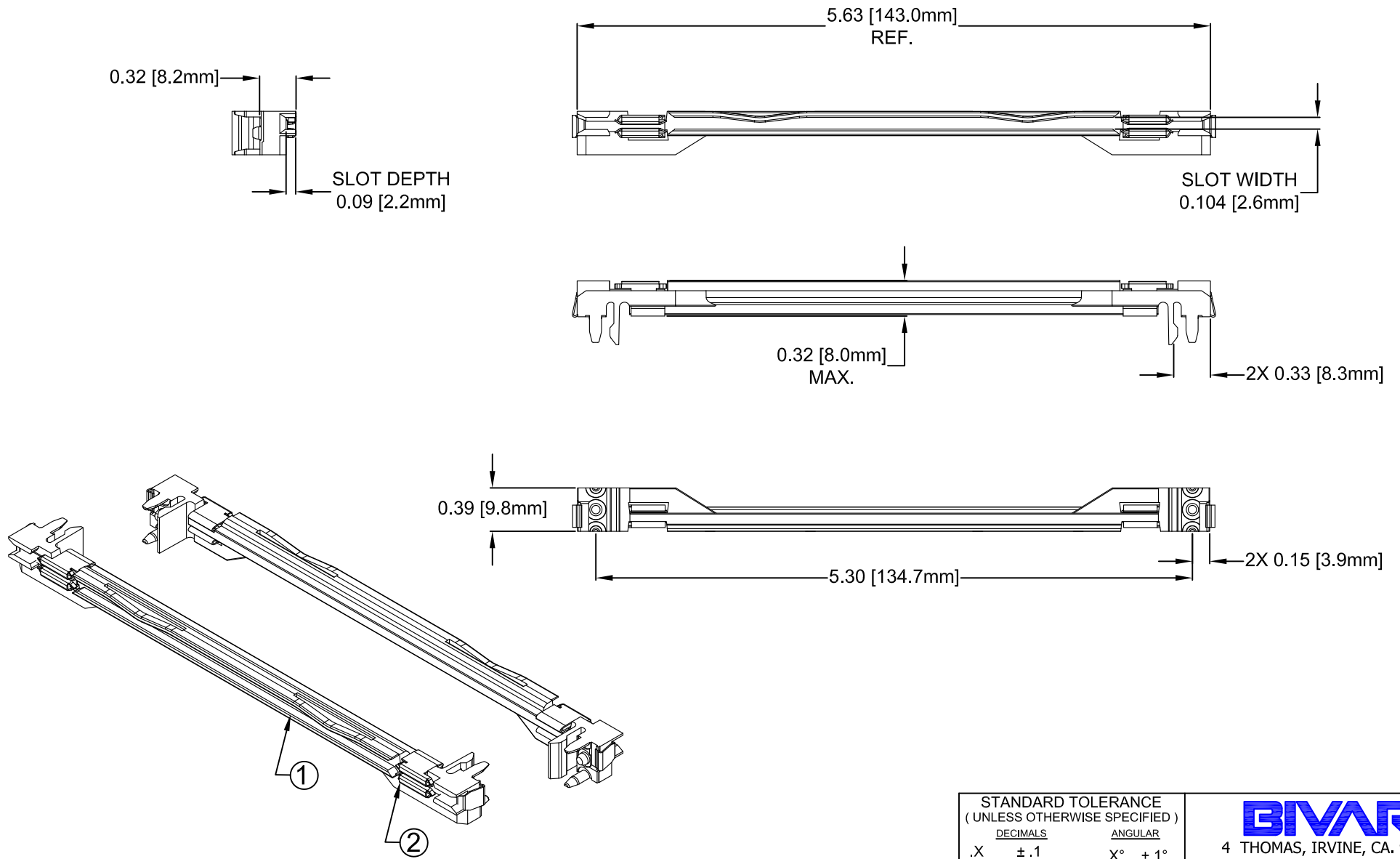


ITEM	Q'TY	PART NUMBER	PART DESCRIPTION
1	1	CPCI-MV160	Card Guide, Pre-Assembled with Aluminum Body
2	2	CPCI-ESD3	CPCI ESD Clips, PCB Grounding

REV.	DESCRIPTION	DATE	APPROVED
B	Engineering Release.	11/19/14	J. C.



3. ESD CLIPS COME PRE-ASSEMBLED
2. MATERIAL: POLYCARBONATE, 20% GLASS FILLED & ALUMINUM BODY
1. GENERAL SPECIFICATIONS: BIVAR MOLDED COMPONENT SPECIFICATION BV00-E101.

STANDARD TOLERANCE (UNLESS OTHERWISE SPECIFIED)		BIVAR®	
DECIMALS	ANGULAR	4 THOMAS, IRVINE, CA. 92618	
.X ±.1	X° ± 1°	TEL: (949) 951-8808	FAX: (949) 951-3974
.XX ±.01		TITLE: VME CARD GUIDE WITH ESD CLIP PART NO: CPCI-MV160-ESD3 REVISION: B	
.XXX ±.005			
DESIGNED: Alex Wright	DATE: 08/21/14	CAGE CODE : 32559	SHEET # 1 OF 1
CHECKED: Brian Oliver	DATE: 08/21/14	CAD GENERATED DOCUMENT, DO NOT MEASURE DRAWING.	