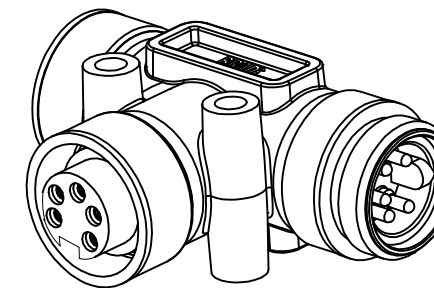
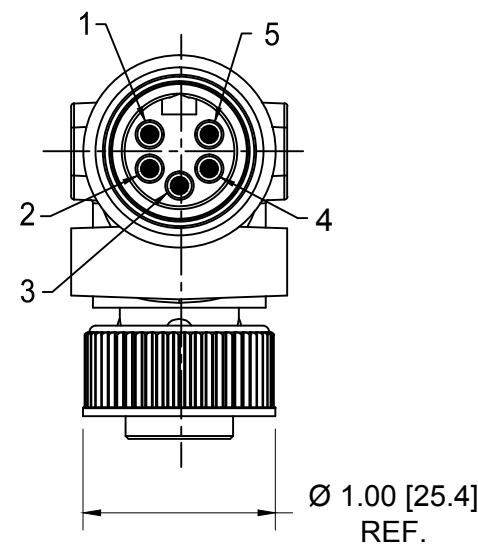
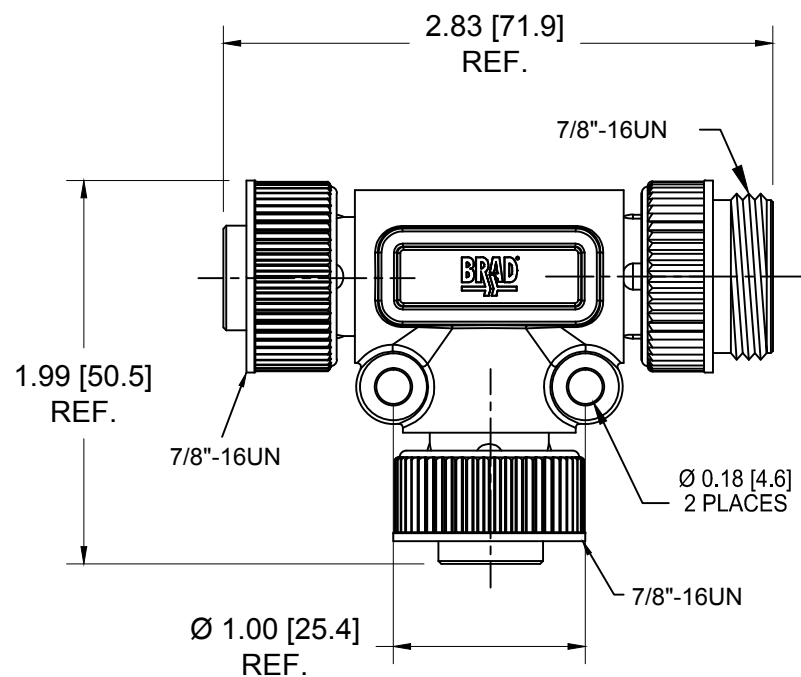
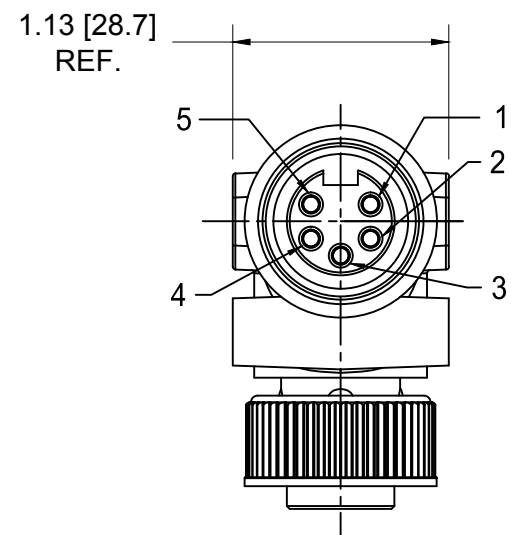


MOLEX SAP P/N

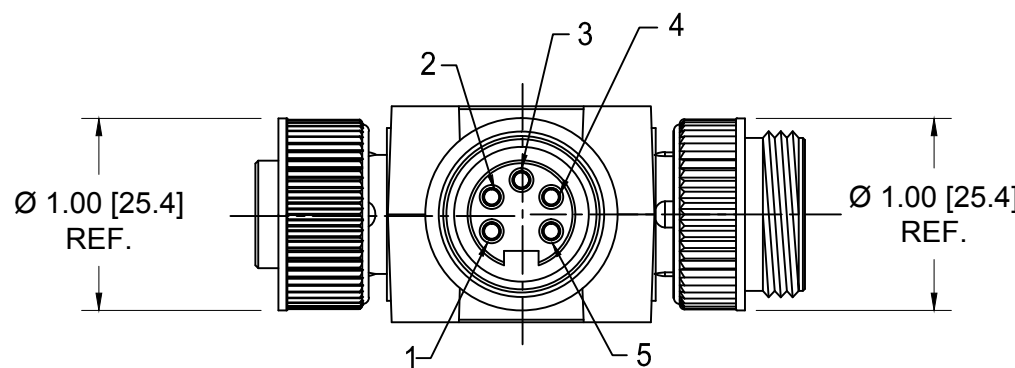
ENGINEERING P/N

1201010001

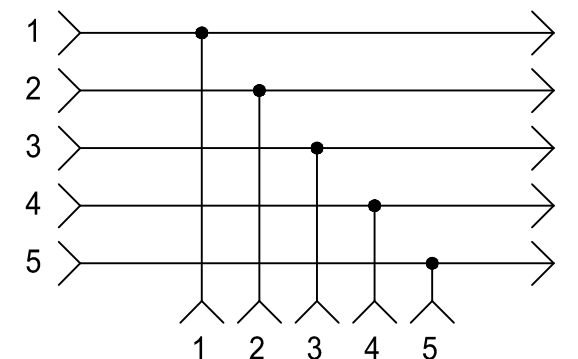
PBAPT



AUX VIEW  
(SCALE: 3:4)



SCHEMATIC



SPECIFICATIONS:

COUPLING NUT MATERIAL: ZINC DIECAST WITH  
BLACK ELECTROPHORETIC COATING  
CONTACT MATERIAL: GOLD/NICKEL OVER COPPER ALLOY  
INSERT MATERIAL: YELLOW TPE  
OVERMOLD MATERIAL: YELLOW TPE  
VOLTAGE RATING: 400V PER IEC 60664 (C1)  
VOLTAGE RATING: 600V PER UL 2238  
CURRENT RATING: 10A  
ENVIRONMENTAL: -20°C TO 80°C  
IP67 WHEN MATED  
AGENCY APPROVALS: UL LISTED

IEC VOLTAGE WAS 320V EC NO: IPG2017-0882 DRWN: RSTONE 3/29/17 CHKD: M ZIELIN 2017/04/10 APPR: BWOODMAN	DESCRIPTION REV	QUALITY SYMBOLS ▽=0 ◻=0	GENERAL TOLERANCES (UNLESS SPECIFIED)		DIMENSION STYLE INCH/MM		SCALE 1:1	DESIGN UNITS INCH	THIRD ANGLE PROJECTION	
		4 PLACES ±--- ±--- 3 PLACES ±--- ±--- 2 PLACES ±--- ±--- 1 PLACE ±--- ±---	mm INCH	DRAWN BY DATE VOU 2012/06/26	TITLE MINI-CHANGE 5-POLE TEE PROFIBUS					
		ANGULAR ±.5°		CHECKED BY DATE KJ 2010/01/28	MOLEX INCORPORATED					
		DRAFT WHERE APPLICABLE MUST REMAIN WITHIN DIMENSIONS		APPROVED BY DATE --- ---	MATERIAL NO. SEE CHART	DOCUMENT NO. SD-120101-002	SHEET NO. 1 OF 1			

THIS DRAWING CONTAINS INFORMATION THAT IS PROPRIETARY TO MOLEX INCORPORATED AND SHOULD NOT BE USED WITHOUT WRITTEN PERMISSION