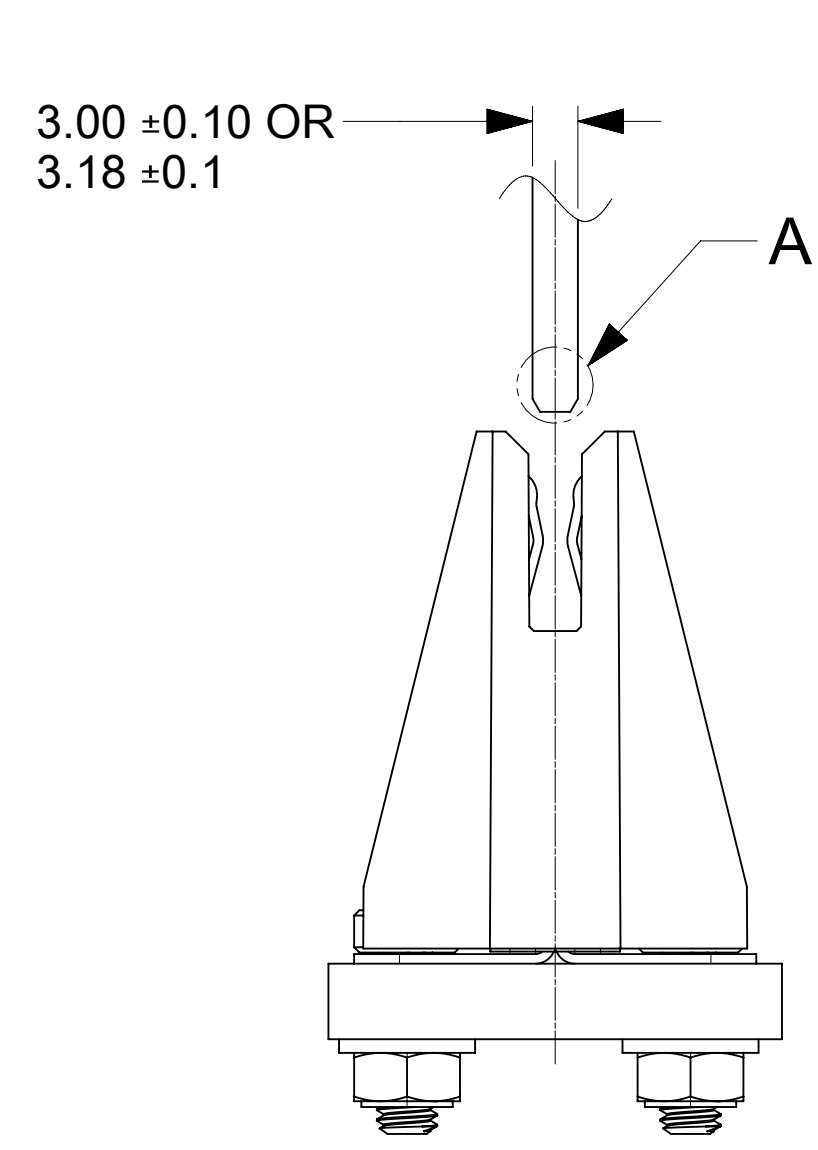
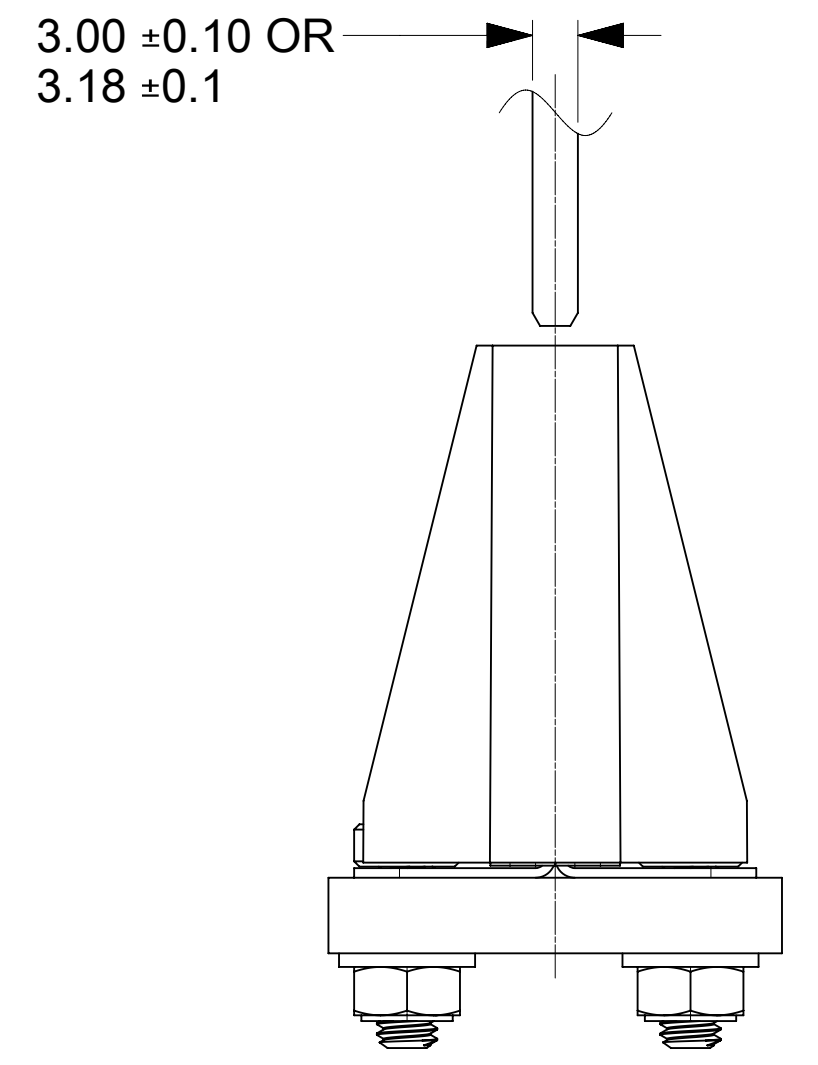
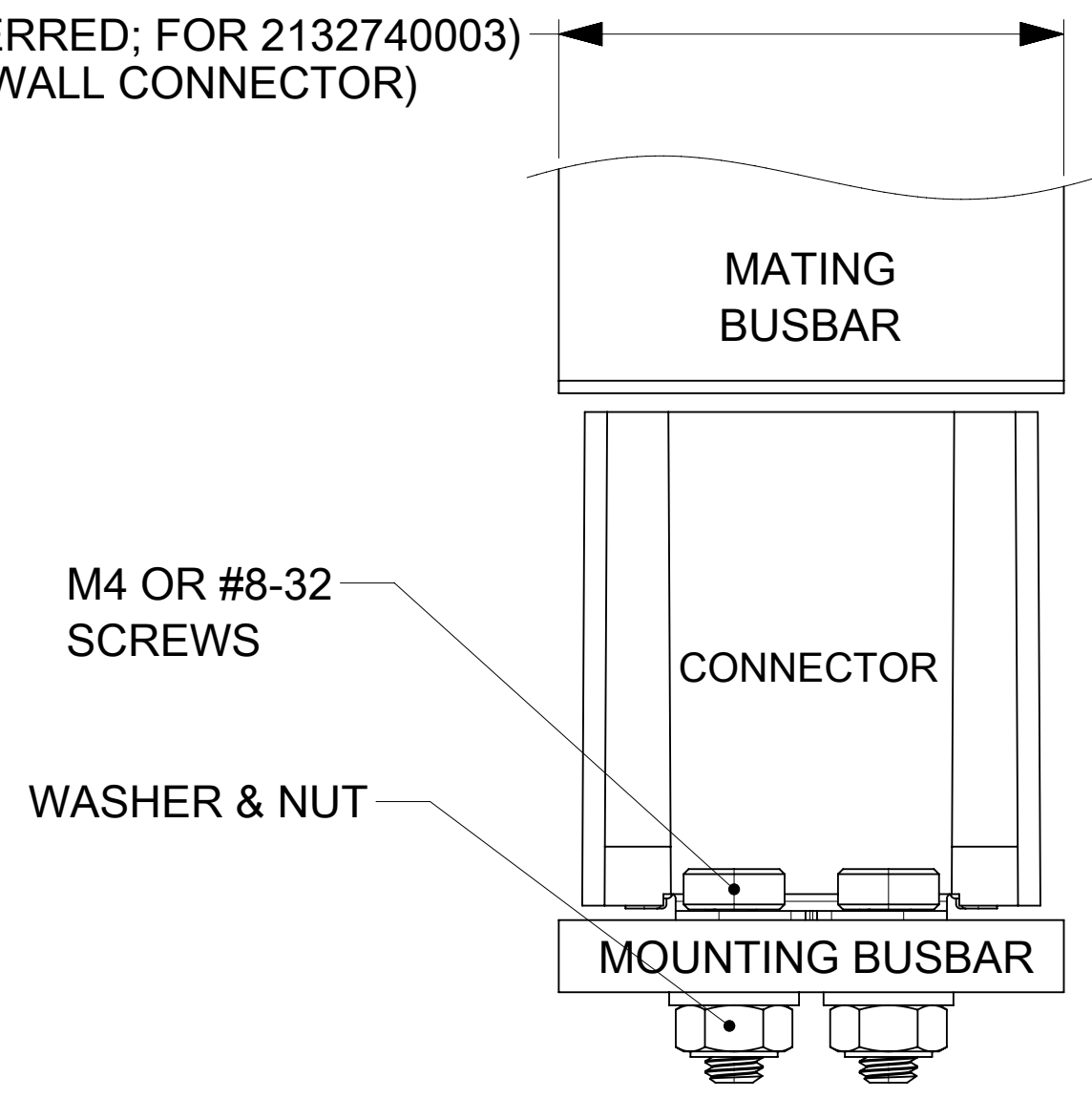


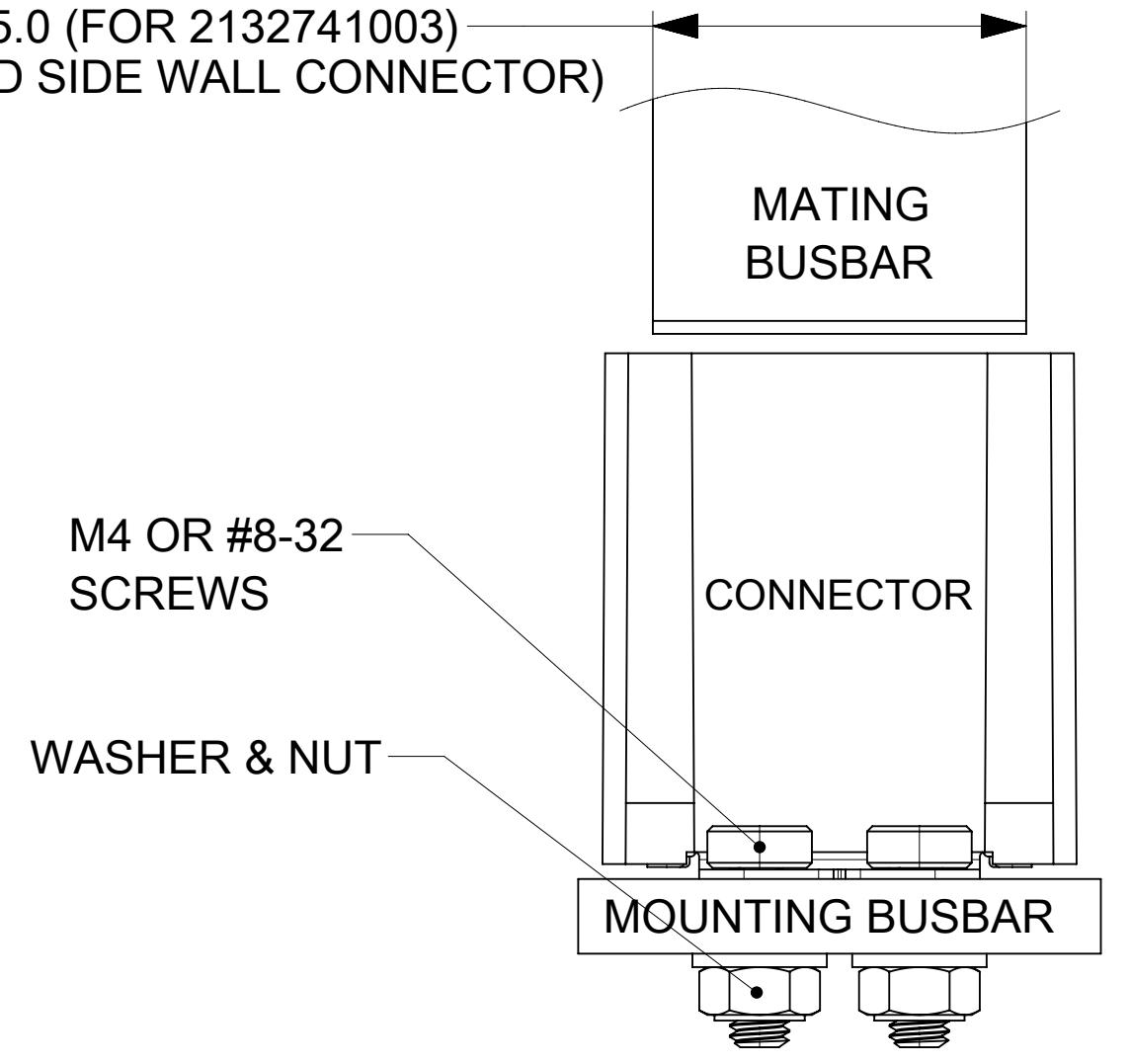
PART NUMBER	DESCRIPTION	NOTE
2132740003	OPEN SIDE WALL	
2132741003	CLOSED SIDE WALL	



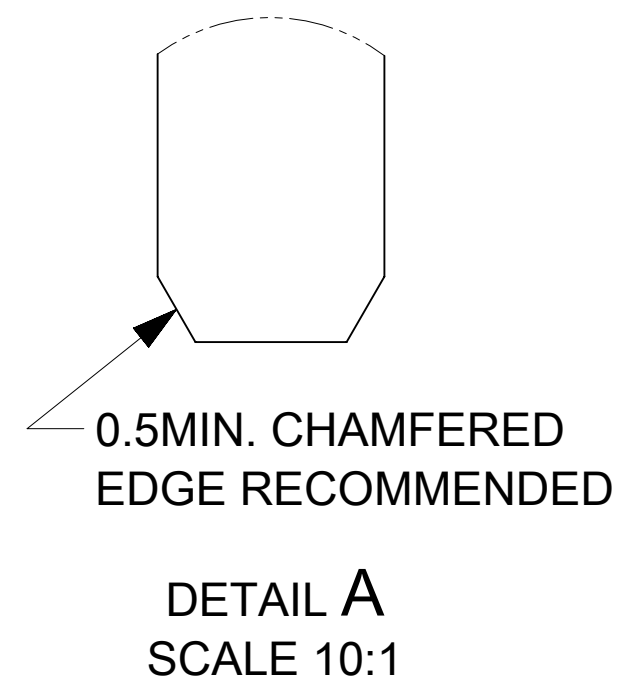
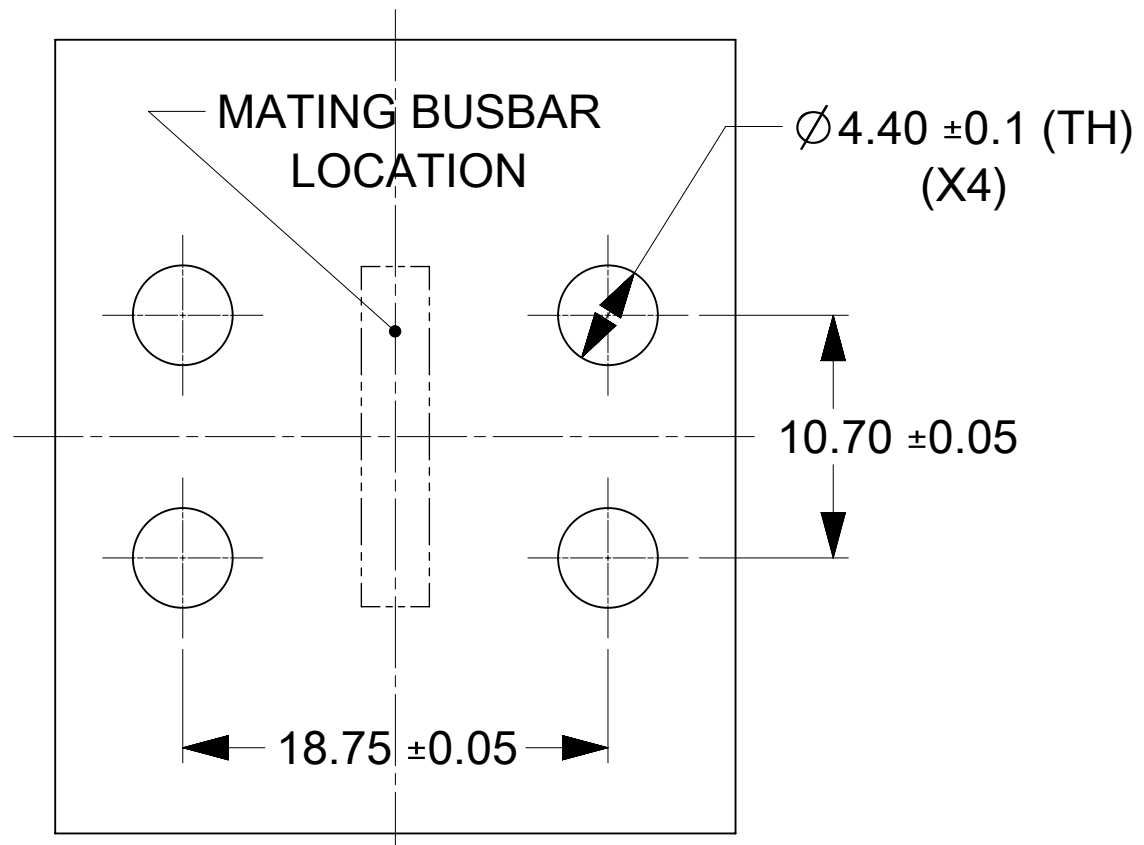
>30 (>35 IS PREFERRED; FOR 2132740003)
(OPEN SIDE WALL CONNECTOR)



25.0 (FOR 2132741003)
(CLOSED SIDE WALL CONNECTOR)

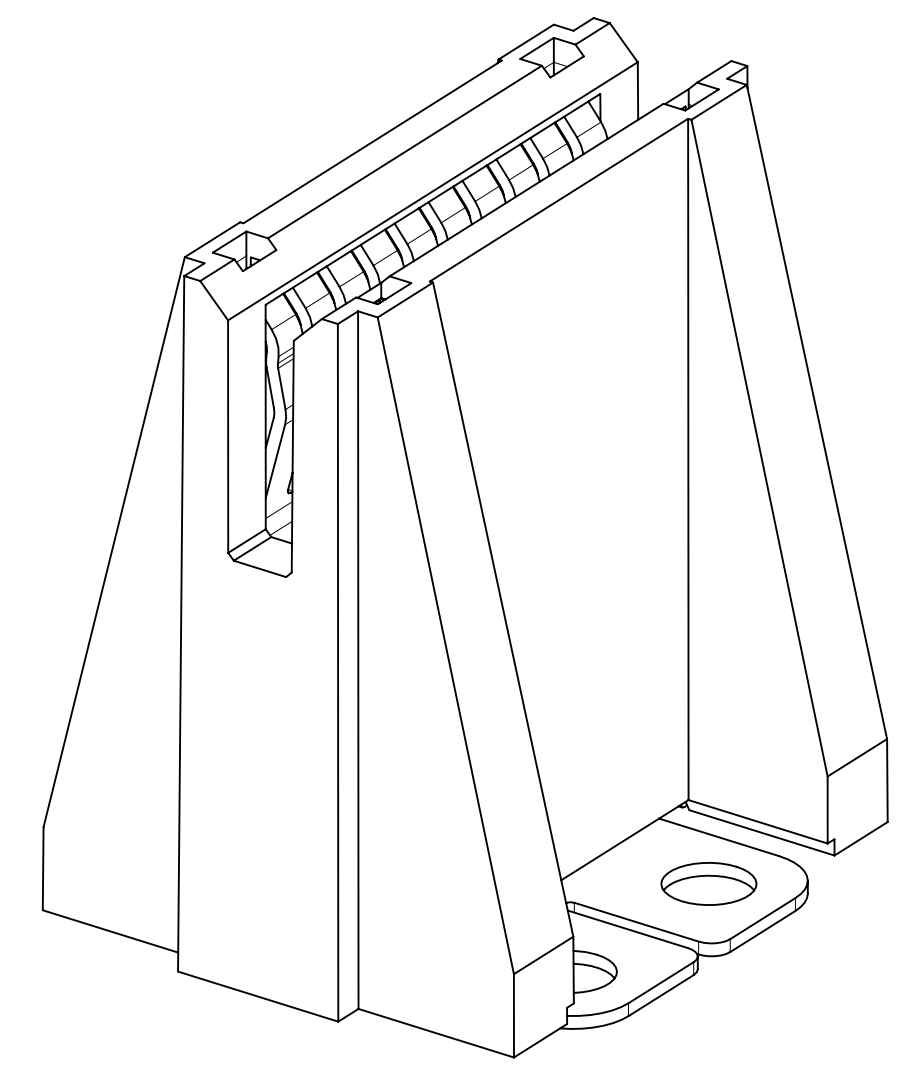
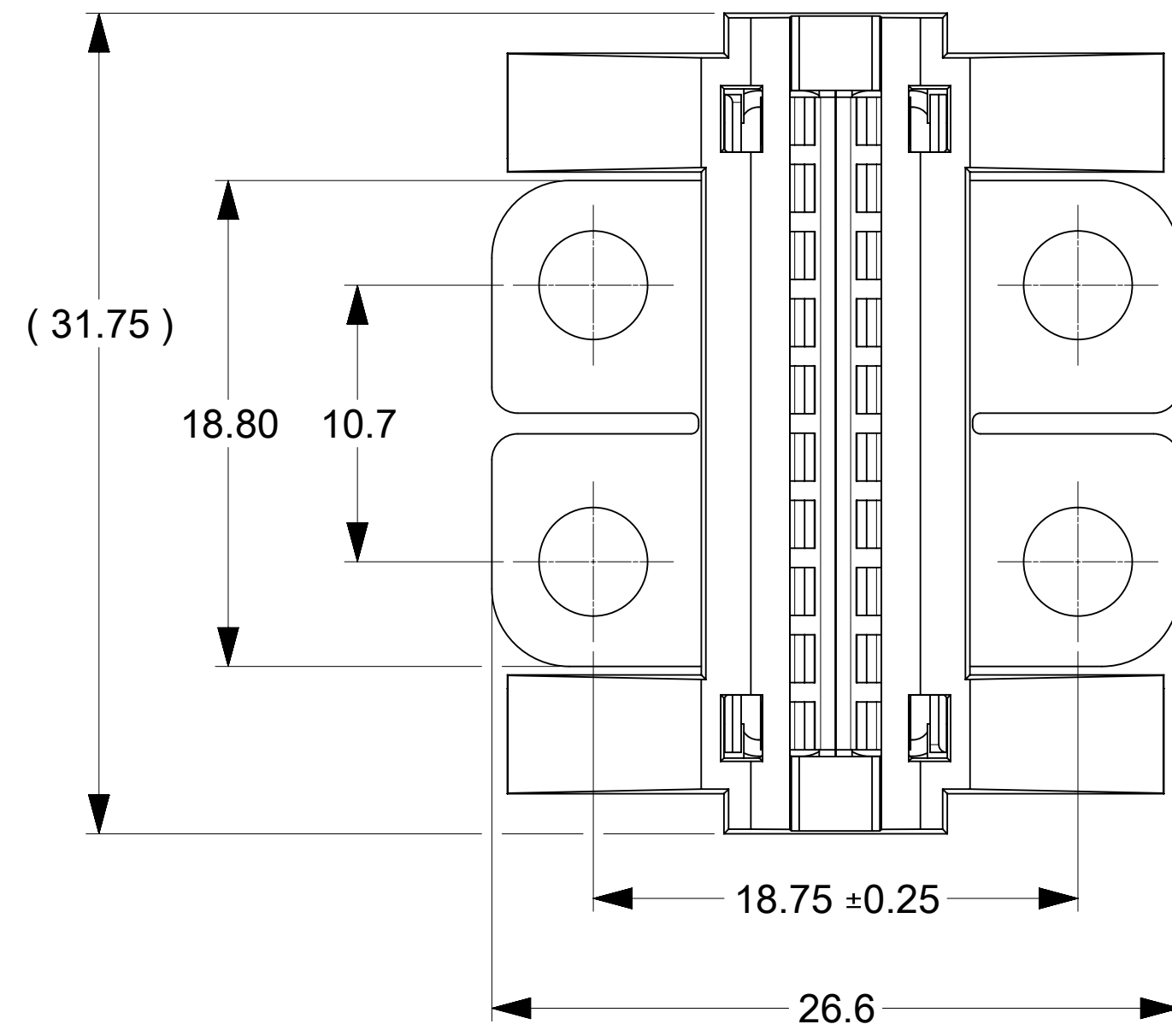


BUSBARS, SCREWS, WASHER AND NUTS
IN THESE VIEWS ARE SHOWN FOR REFERENCE

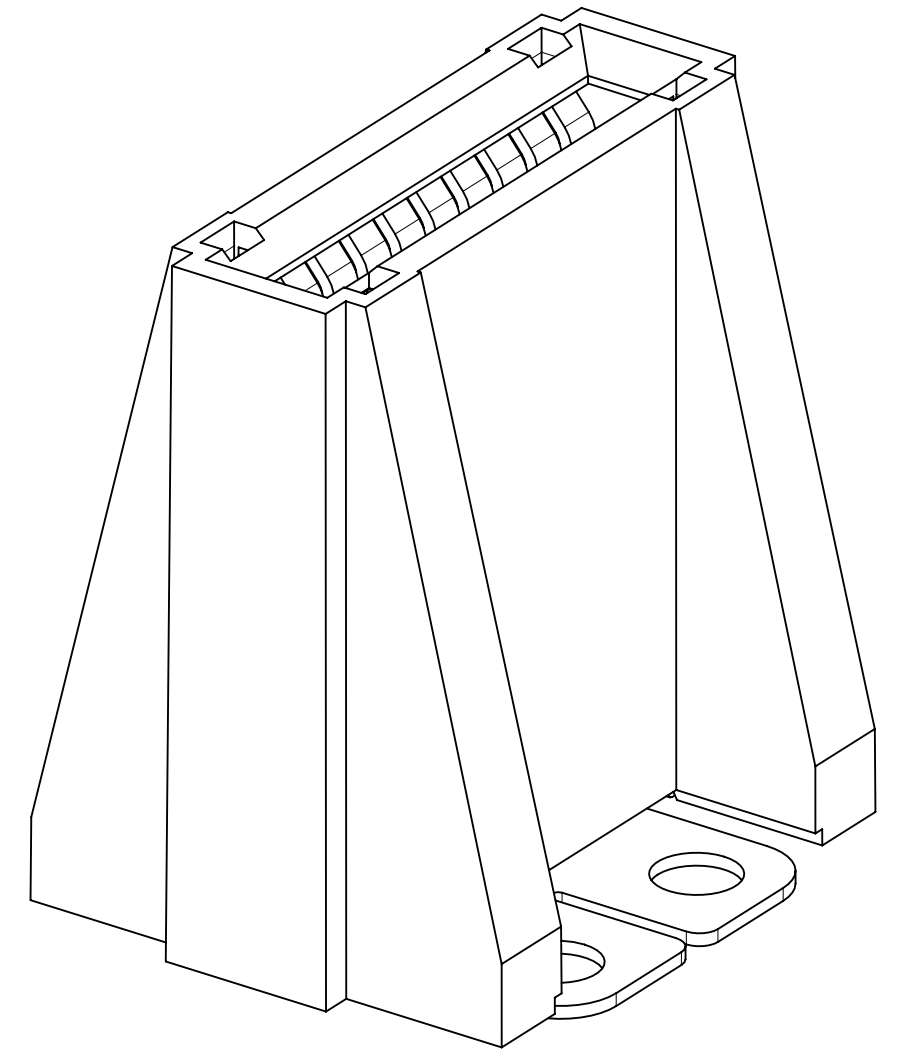
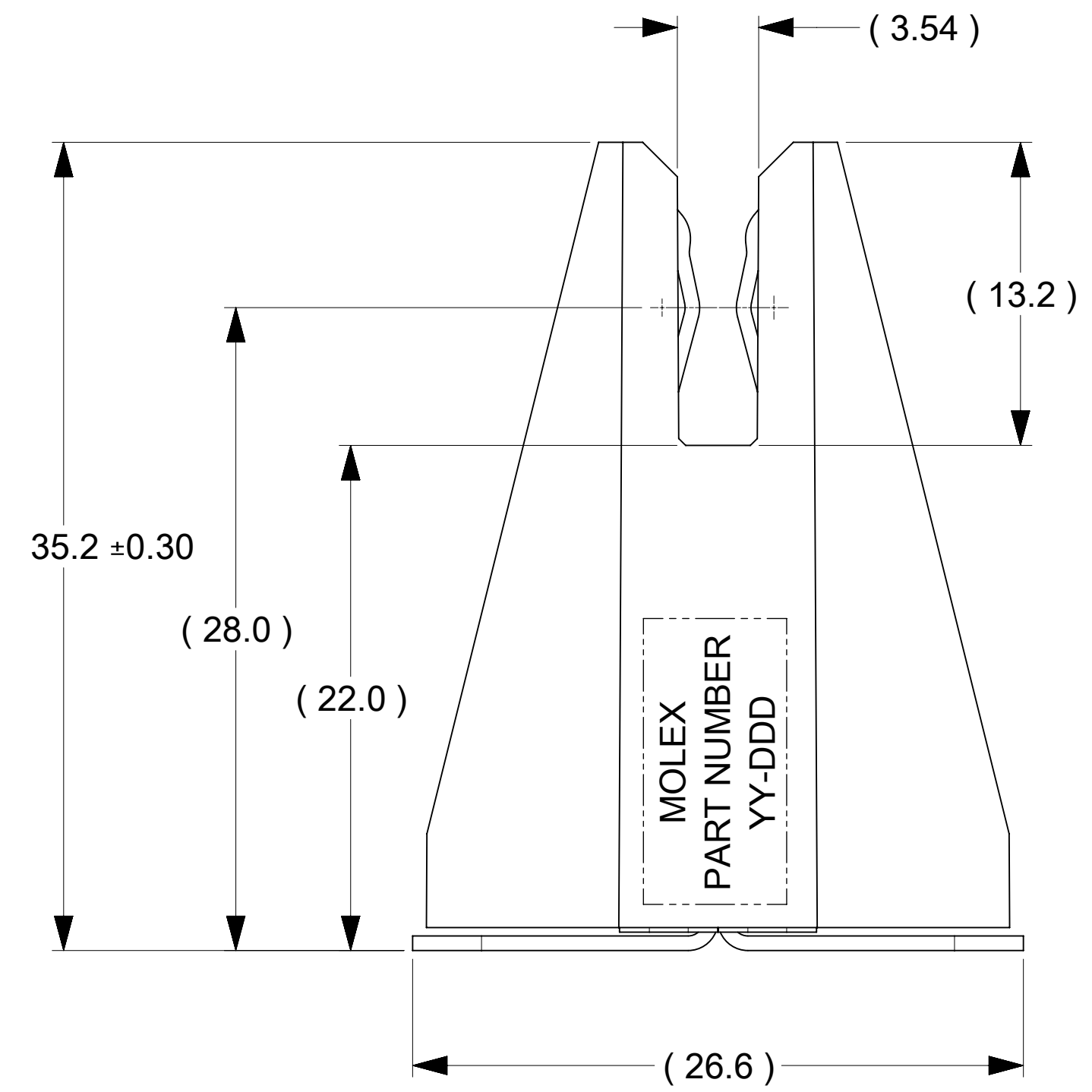


NOTES:

- MATERIALS:
 - HOUSING BODY: POLYMER, UL94V-0, BLACK.
 - TERMINALS: COPPER ALLOY.
 - RIVET/CLIP: COPPER ALLOY.
- PLATING:
 - CONTACT AREAS: 3.18 MICRON MIN. SILVER, OVER 1.27 MICRON MIN. NICKEL.
 - TAB AREAS: 3.18 MICRON MIN. TIN OVER 1.27 MICRON MIN. NICKEL.
 - REST: 1.27 MICRON MIN. NICKEL.
- LUBRICATION: LUBED IN CONTACT AREA.
- REFERENCE DOCUMENT: 2132740001-PS, 2132740001-AS
- MODULE ASSEMBLY IS RoHS COMPLIANT.
- FINAL ASSEMBLY TO BE PACKAGED AND LABELED PER PACKAGING KIT DRAWING NUMBER 2132740003-PK.



PART NUMBER: 2132740003
(OPEN SIDE WALLS)



PART NUMBER: 2132741003
(CLOSED SIDE WALLS)

RECOMMENDED BUSBAR LAYOUT

FUNCTIONAL SYMBOLS	THIS DRAWING CONTAINS INFORMATION THAT IS PROPRIETARY TO MOLEX ELECTRONIC TECHNOLOGIES, LLC AND SHOULD NOT BE USED WITHOUT WRITTEN PERMISSION		CURRENT REV DESC:	
DIMENSION UNITS	SCALE			
$F_A = 0$	mm	3:1		
$F_G = 0$	GENERAL TOLERANCES (UNLESS SPECIFIED)			
$F_P = 0$	ANGULAR TOL ± °			
DIVISIONAL SYMBOLS	4 PLACES	±		
	3 PLACES	±		
	2 PLACES	± 0.15		
	1 PLACE	± 0.25		
	0 PLACES	±		
DRAFT WHERE APPLICABLE MUST REMAIN WITHIN DIMENSIONS		THIRD ANGLE PROJECTION	DRAWING	SHEET NUMBER
			D-SIZE	213274
		MATERIAL NUMBER		CUSTOMER
		SEE CHART		
		SERIES		SHEET NUMBER
		213274		1 OF 1



POWER PLANE BBC 10C VERTICAL

PRODUCT CUSTOMER DRAWING

DOCUMENT NUMBER	DOC TYPE	DOC PART	REVISION
2132740003-SD	PSD	000	A1

DOCUMENT STATUS	P1	RELEASE DATE	2022/01/07	20:21:56