

Product data sheet

Specifications



IP67 passive splitter box - cable 5 m - with 8 channels M12 connector

ABE9C1280L05

! To be discontinued on: 15 December 2023

! To be end-of-service on: 15 December 2025

! To be discontinued

Main

| | |
|---------------------------|---|
| Range of product | Advantys ABE9 |
| Product or component type | IP67 passive splitter box |
| Number of channels | 8 |
| Electrical connection | 1 pre-wired cable connector, 5 m cable length 8 female connectors M12 5 pins |
| Status LED | Without |

Complementary

| | |
|--------------------------------|---|
| Number of ways | 16 ways |
| [Ue] rated operational voltage | 24 V DC |
| Current per channel | 4 A |
| Insulation group | Category 3 conforming to VDE 0110 |
| Operating position | Any position |
| Fixing mode | M4 screw fixing |
| Contact resistance | 5000 μ Ohm |
| Current of common | 16 A 1 mm ² 12 A 0.75 mm ² |
| Separation of commons | Without or with |
| Net weight | 1.61 kg |

Environment

| | |
|---------------------------------------|---|
| IP degree of protection | IP67 conforming to IEC 529 |
| Product certifications | cULus |
| Ambient air temperature for operation | -20...80 °C |
| Ambient air temperature for storage | -40...85 °C |
| Vibration resistance | 0.2 gn (f= 57...150 Hz) conforming to IEC 68-2-6, FC tests |
| Shock resistance | 30 gn for 11 ms conforming to EN 68-2-2 30 gn for 11 ms conforming to IEC 68-2-2 |

Packing Units

| | |
|------------------------------|----------|
| Unit Type of Package 1 | PCE |
| Number of Units in Package 1 | 1 |
| Package 1 Height | 4 cm |
| Package 1 Width | 30 cm |
| Package 1 Length | 28 cm |
| Package 1 Weight | 1.307 kg |
| Unit Type of Package 2 | S03 |
| Number of Units in Package 2 | 6 |
| Package 2 Height | 30 cm |
| Package 2 Width | 30 cm |
| Package 2 Length | 40 cm |
| Package 2 Weight | 8.352 kg |

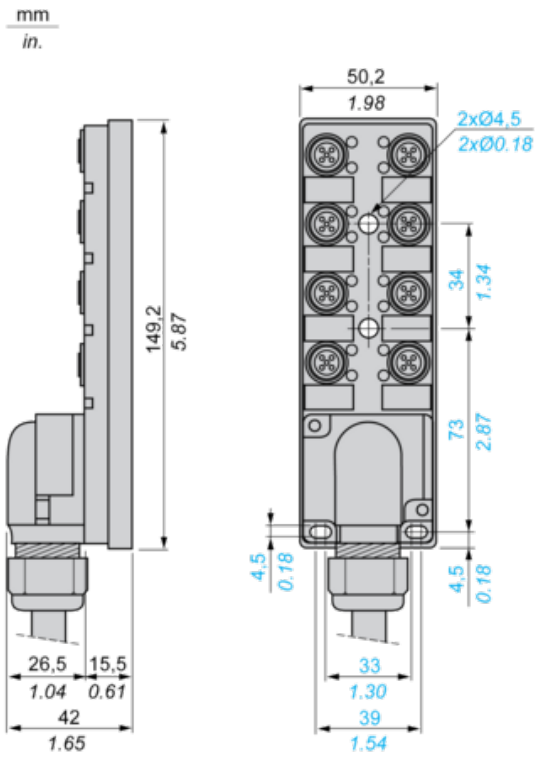
Offer Sustainability

| | |
|----------------------------|---|
| Sustainable offer status | Green Premium product |
| REACH Regulation | REACH Declaration |
| EU RoHS Directive | Pro-active compliance (Product out of EU RoHS legal scope) EU RoHS Declaration |
| Mercury free | Yes |
| China RoHS Regulation | China RoHS declaration |
| RoHS exemption information | Yes |
| Environmental Disclosure | Product Environmental Profile |
| Circularity Profile | End of Life Information |
| WEEE | The product must be disposed on European Union markets following specific waste collection and never end up in rubbish bins |
| California proposition 65 | WARNING: This product can expose you to chemicals including: Lead and lead compounds, which is known to the State of California to cause cancer and birth defects or other reproductive harm. For more information go to www.P65Warnings.ca.gov |

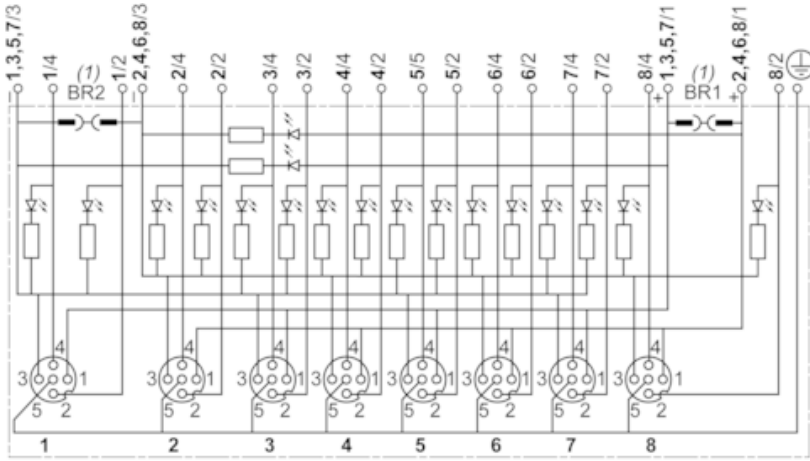
Contractual warranty

| | |
|----------|-----------|
| Warranty | 18 months |
|----------|-----------|

Dimensions



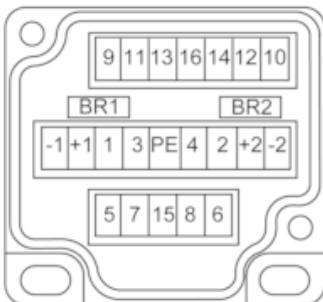
Wiring Diagram



(1) BR1 and BR2: removable link

| Item | Terminal | Wire |
|---------------|----------|--------------|
| 1/4 | 1 | White |
| 1/2 | 9 | Grey/pink |
| 2/4 | 2 | Green |
| 2/2 | 10 | Red/blue |
| 3/4 | 3 | Yellow |
| 3/2 | 11 | White/green |
| 4/4 | 4 | Grey |
| 4/2 | 12 | Brown/green |
| 5/4 | 5 | Pink |
| 5/2 | 13 | White/yellow |
| 6/4 | 6 | Red |
| 6/2 | 14 | Yellow/brown |
| 7/4 | 7 | Black |
| 7/2 | 15 | White/grey |
| 8/4 | 8 | Violet |
| 8/2 | 16 | Grey/brown |
| 1, 3, 5 & 7/1 | +1 | Brown 1 |
| 2, 4, 6 & 8/1 | +2 | Brown 2 |
| 1, 3, 5 & 7/3 | -1 | Blue 1 |
| 2, 4, 6 & 8/3 | -2 | Blue 2 |
| 1...8/5 | PE | Green/yellow |

Connection Terminals



Recommended replacement(s)