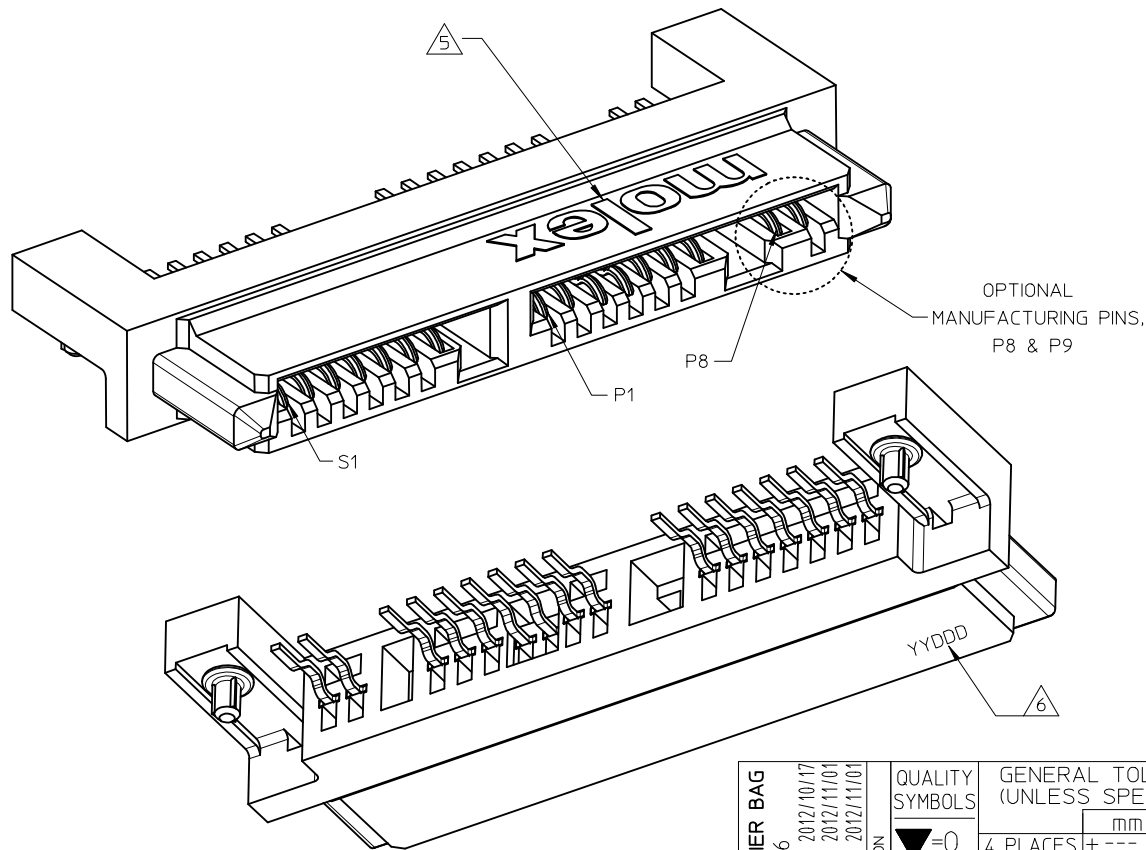
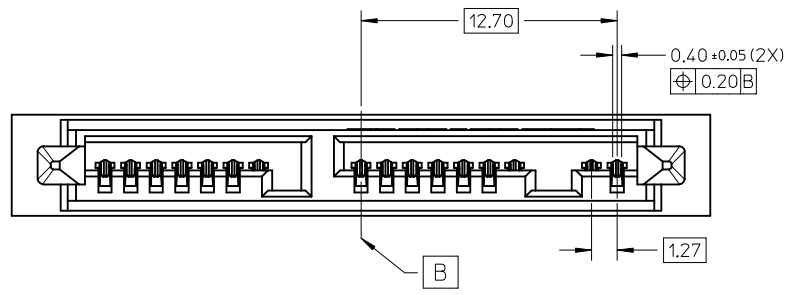
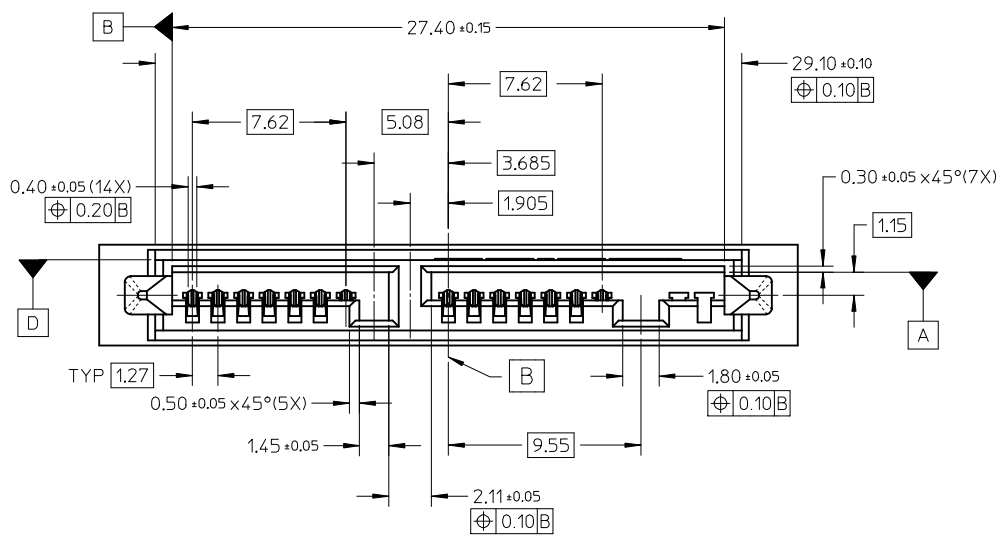


10	9	8	7	6	5	4	3	2	1
PART NUMBER	TOTAL PINS	DESCRIPTION	HOUSING MATERIAL			PACKAGING		REMARKS	
78109-0001	16	WITH OPTIONAL MANUFACTURING PINS (S1 TO S7 & P1 TO P9)	NYLON (PA) 9T, GLASS FILLED, UL 94V-0, BLACK.			TRAY		WITHOUT CAP	
78109-0012						TAPE AND REEL		WITH CAP	
78109-1001	14	WITHOUT OPTIONAL MANUFACTURING PINS (S1 TO S7 & P1 TO P7)				TRAY		WITHOUT CAP	
78109-1012						TAPE AND REEL		WITH CAP	

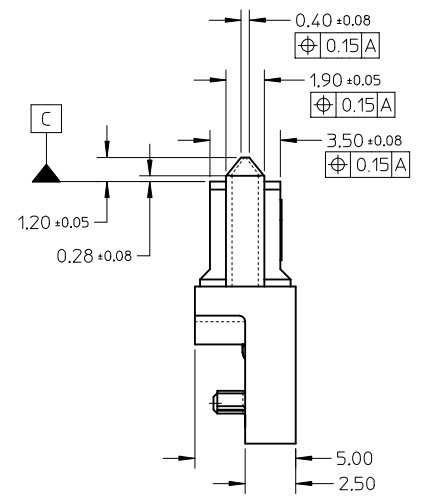
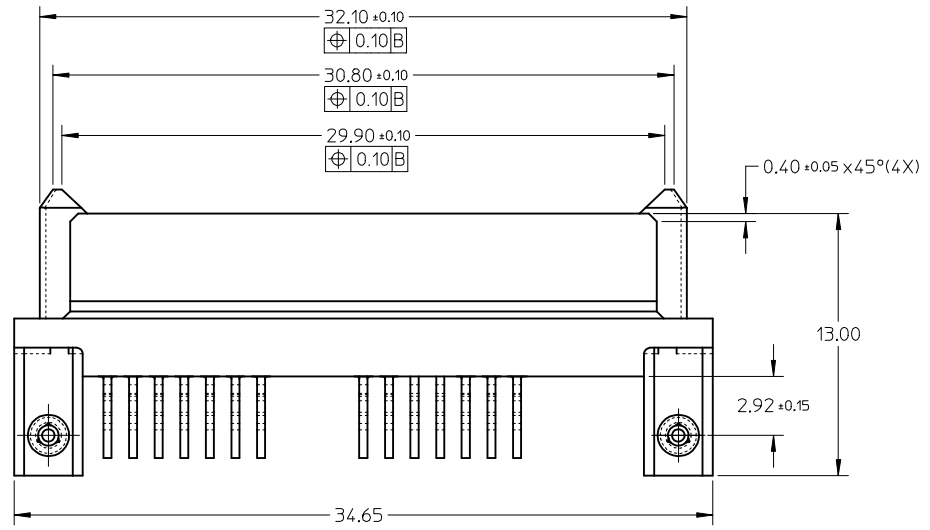


- NOTES:
- MATERIAL : SEE TABLE  
TERMINAL/LOCATING PIN : COPPER ALLOY
  - PLATING :  
TERMINAL : 0.764m MIN. SELECTIVE GOLD OVER  
1.274m MIN. NICKEL UNDERPLATE  
: 2.544m MIN. TIN OVER  
1.274m MIN. NICKEL UNDERPLATE  
LOCATING PIN : 3.814m MIN. TIN OVER  
2.004m MIN. NICKEL UNDERPLATE
  - PRODUCT SPECIFICATION : PS-78109-001
  - MATES WITH MICRO SATA PLUG SERIES : 78283
  - MOLEX LOGO LOCATED APPROXIMATELY AS SHOWN
  - DATE CODE LOCATED APPROXIMATELY AS SHOWN
  - PACKAGING : SEE TABLE  
PARTS TO BE PACKED IN MOISTURE BARRIER BAG
  - THIS PRODUCT IS COMPLIANT TO RoHS DIRECTIVE WITH THE FOLLOWING BANNED SUBSTANCES - LEAD, MERCURY, CADMIUM, HEXAVALENT CHROMIUM, POLYBROMINATED BIPHENYLS AND POLYBROMINATED DIPHENYLS ETHERS.
  - NON FUNCTIONAL CORING MAY VARY.

ADD MOIST BARRIER BAG EC NO: S2013-0226 DRWN:SKANG 2012/10/17 CHKD:ATSEE 2012/11/01 APPR:MLONG 2012/11/01	DESCRIPTION REV	QUALITY SYMBOLS	GENERAL TOLERANCES (UNLESS SPECIFIED)	DIMENSION STYLE	SCALE	DESIGN UNITS	THIRD ANGLE PROJECTION															
		$\nabla=0$ $\square=0$	<table border="1"> <thead> <tr> <th></th> <th>mm</th> <th>INCH</th> </tr> </thead> <tbody> <tr> <td>4 PLACES</td> <td>± ---</td> <td>± ---</td> </tr> <tr> <td>3 PLACES</td> <td>± ---</td> <td>± ---</td> </tr> <tr> <td>2 PLACES</td> <td>± 0.20</td> <td>± ---</td> </tr> <tr> <td>1 PLACE</td> <td>± ---</td> <td>± ---</td> </tr> </tbody> </table>		mm	INCH	4 PLACES	± ---	± ---	3 PLACES	± ---	± ---	2 PLACES	± 0.20	± ---	1 PLACE	± ---	± ---	MM ONLY	NTS	METRIC	
			mm	INCH																		
		4 PLACES	± ---	± ---																		
3 PLACES	± ---	± ---																				
2 PLACES	± 0.20	± ---																				
1 PLACE	± ---	± ---																				
	<table border="1"> <thead> <tr> <th></th> <th>DATE</th> <th>TITLE</th> </tr> </thead> <tbody> <tr> <td>DRAWN BY</td> <td>2006/06/27</td> <td rowspan="2">SERIAL ATA RECEPTACLE 1.8 INCH HDD RIGHT-ANGLE, SMT</td> </tr> <tr> <td>CHECKED BY</td> <td>2006/07/28</td> </tr> <tr> <td>APPROVED BY</td> <td>2006/07/28</td> <td rowspan="2">MOLEX INCORPORATED</td> </tr> <tr> <td>MATERIAL NO.</td> <td>SEE TABLE</td> </tr> </tbody> </table>		DATE	TITLE	DRAWN BY	2006/06/27	SERIAL ATA RECEPTACLE 1.8 INCH HDD RIGHT-ANGLE, SMT	CHECKED BY	2006/07/28	APPROVED BY	2006/07/28	MOLEX INCORPORATED	MATERIAL NO.	SEE TABLE	<table border="1"> <thead> <tr> <th>SIZE</th> <th>DOCUMENT NO.</th> <th>SHEET NO.</th> </tr> </thead> <tbody> <tr> <td>A3</td> <td>SD-78109-001</td> <td>1 OF 6</td> </tr> </tbody> </table>	SIZE	DOCUMENT NO.	SHEET NO.	A3	SD-78109-001	1 OF 6	
	DATE	TITLE																				
DRAWN BY	2006/06/27	SERIAL ATA RECEPTACLE 1.8 INCH HDD RIGHT-ANGLE, SMT																				
CHECKED BY	2006/07/28																					
APPROVED BY	2006/07/28	MOLEX INCORPORATED																				
MATERIAL NO.	SEE TABLE																					
SIZE	DOCUMENT NO.	SHEET NO.																				
A3	SD-78109-001	1 OF 6																				
		DRAFT WHERE APPLICABLE MUST REMAIN WITHIN DIMENSIONS	THIS DRAWING CONTAINS INFORMATION THAT IS PROPRIETARY TO MOLEX INCORPORATED AND SHOULD NOT BE USED WITHOUT WRITTEN PERMISSION																			



78109-0001



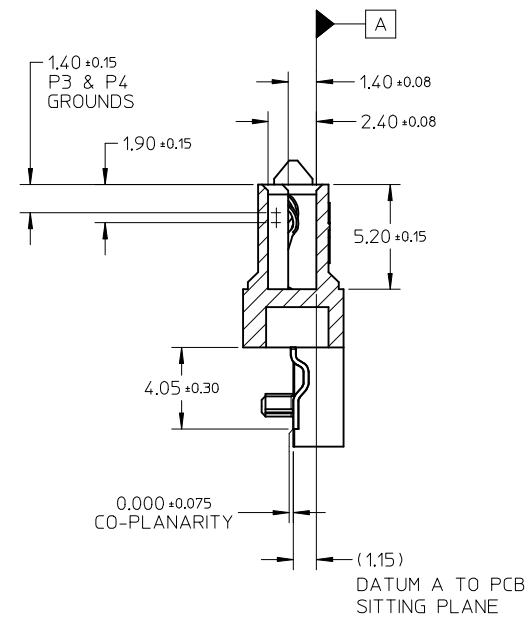
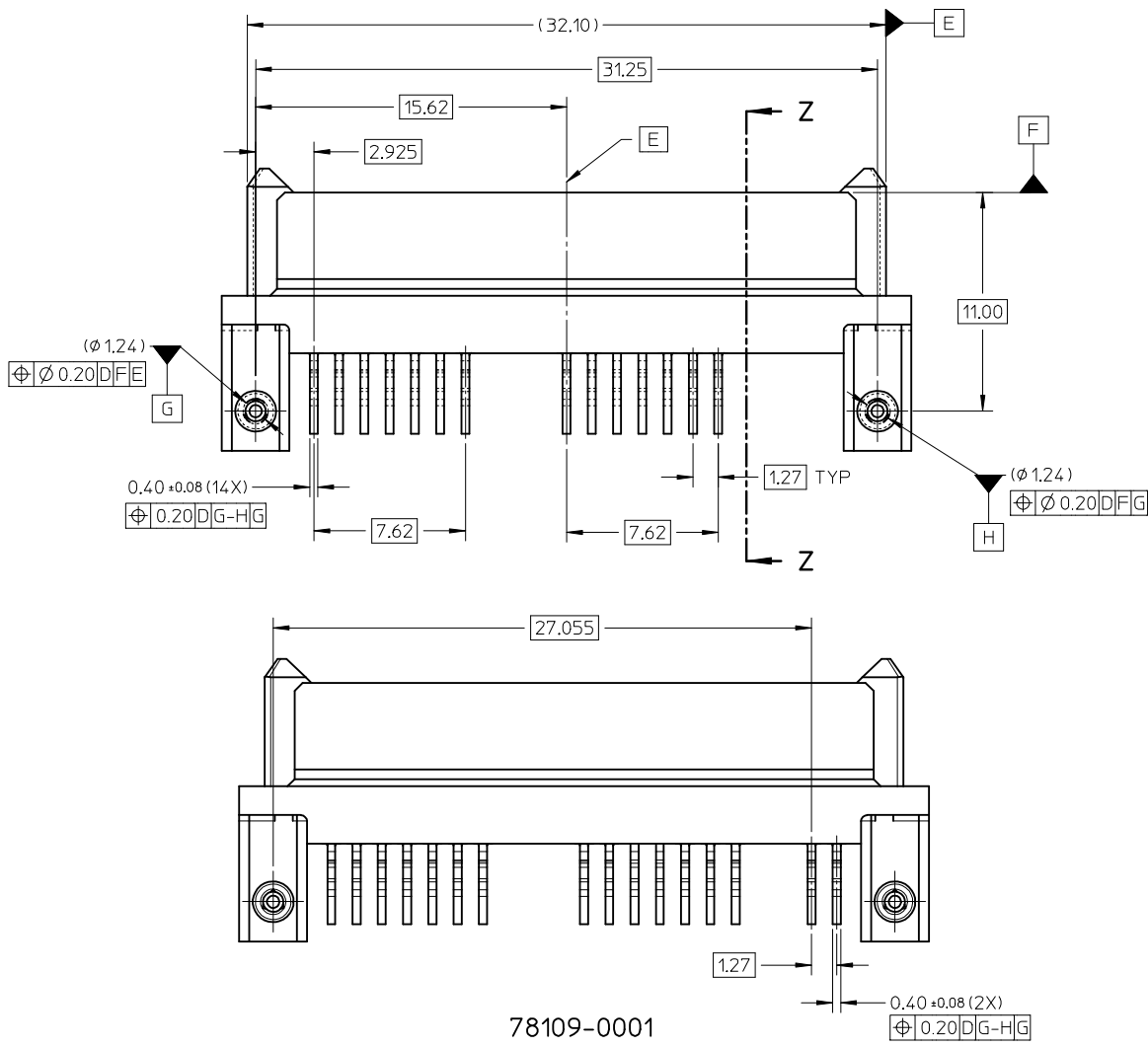
ADD MOIST BARRIER BAG	EC NO: S2013-0226	2012/10/17
DRWN:SKANG	CHKD:ATSEE	2012/11/01
APPR:MLONG		2012/11/01
REV	A1	

QUALITY SYMBOLS	DESCRIPTION
▽=0	
∠=0	

GENERAL TOLERANCES (UNLESS SPECIFIED)	mm	INCH
4 PLACES	± ---	± ---
3 PLACES	± ---	± ---
2 PLACES	± 0.20	± ---
1 PLACE	± ---	± ---
ANGULAR ± 3 °		
DRAFT WHERE APPLICABLE MUST REMAIN WITHIN DIMENSIONS		

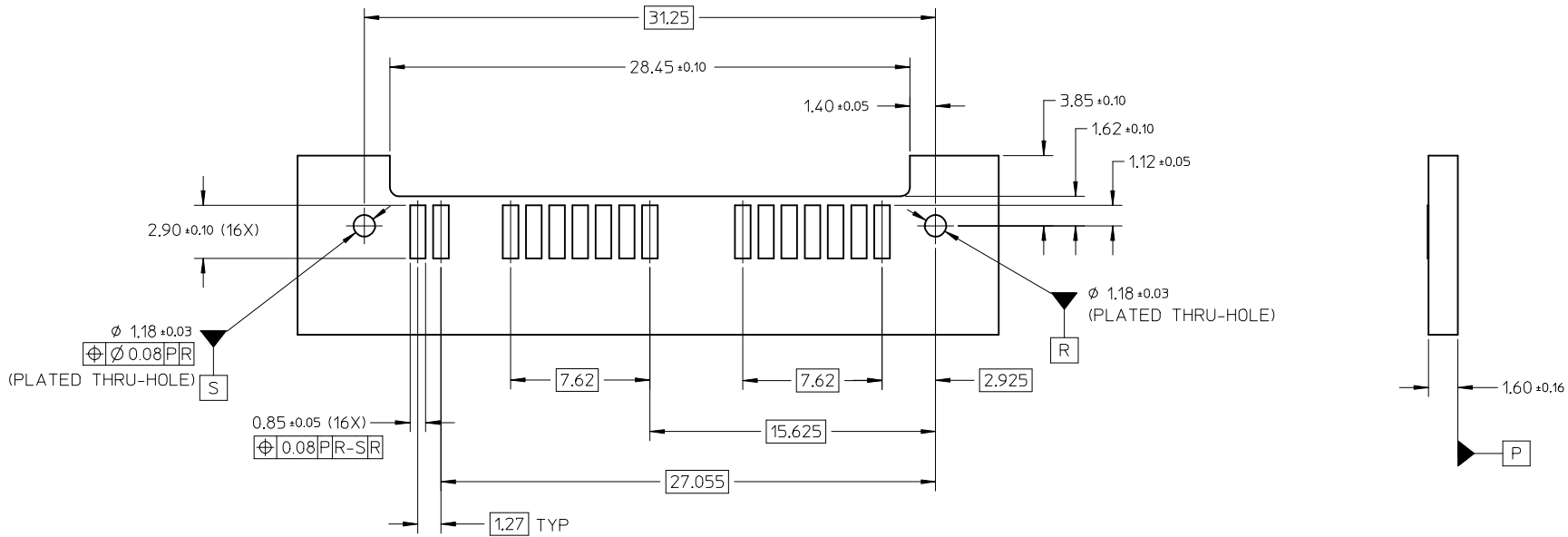
DIMENSION STYLE	MM ONLY
SCALE	NTS
DESIGN UNITS	METRIC
THIRD ANGLE PROJECTION	
DRAWN BY	YKOH
DATE	2006/06/27
CHECKED BY	SHONG
DATE	2006/07/28
APPROVED BY	KCLING
DATE	2006/07/28
MATERIAL NO.	SEE TABLE
SIZE	A3

TITLE	SERIAL ATA RECEPTACLE 1.8 INCH HDD RIGHT-ANGLE, SMT
MOLEX INCORPORATED	
DOCUMENT NO.	SD-78109-001
SHEET NO.	2 OF 6
THIS DRAWING CONTAINS INFORMATION THAT IS PROPRIETARY TO MOLEX INCORPORATED AND SHOULD NOT BE USED WITHOUT WRITTEN PERMISSION	



78109-0001

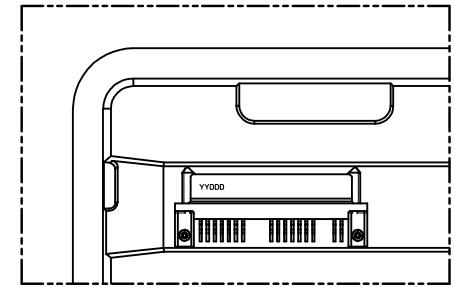
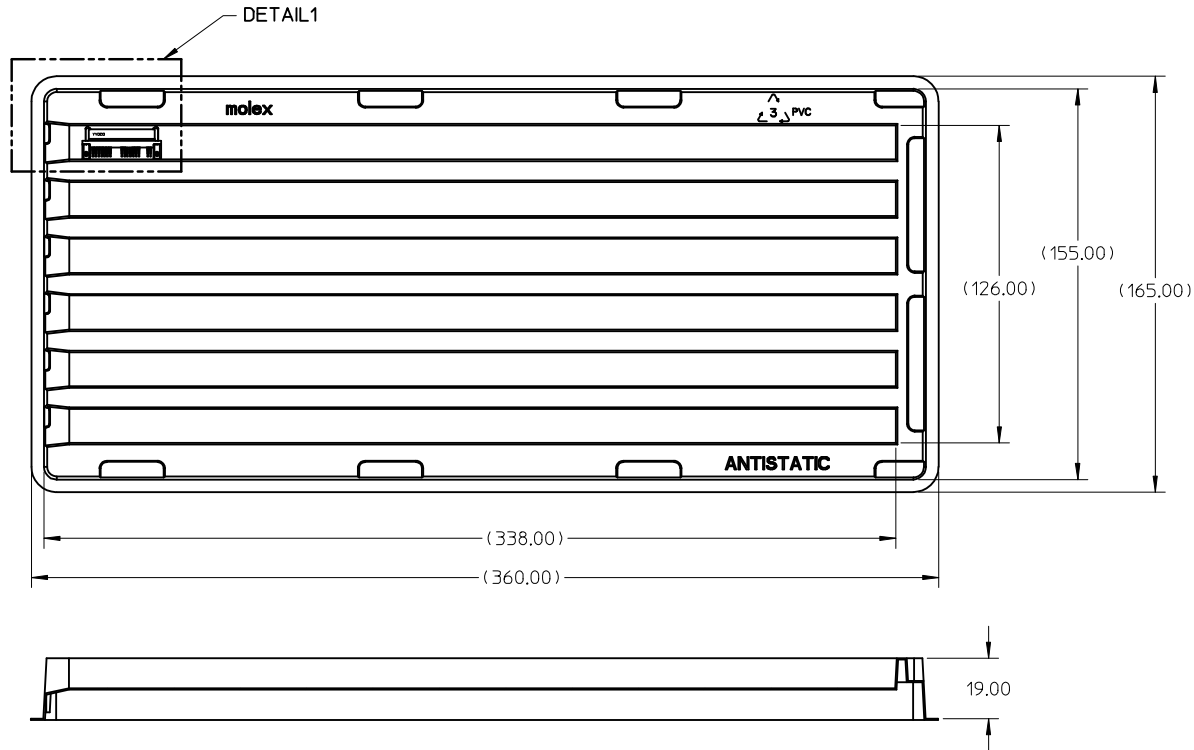
ADD MOIST BARRIER BAG EC NO: S2013-0226 DRWN:SKANG 2012/10/17 CHKD:ATSEE 2012/11/01 APPR:MLONG 2012/11/01	QUALITY SYMBOLS ▽=0 ◻=0	GENERAL TOLERANCES (UNLESS SPECIFIED)		DIMENSION STYLE MM ONLY		SCALE NTS	DESIGN UNITS METRIC	THIRD ANGLE PROJECTION		
			mm	INCH	DRAWN BY	DATE	TITLE			
		4 PLACES	± ---	± ---	YKOH	2006/06/27	SERIAL ATA RECEPTACLE 1.8 INCH HDD RIGHT-ANGLE, SMT			
		3 PLACES	± ---	± ---	CHECKED BY	DATE				
	ANGULAR ± 3 °		APPROVED BY	DATE	MOLEX INCORPORATED					
2 PLACES	± 0.20	± ---	KCL ING	2006/07/28						
1 PLACE	± ---	± ---	MATERIAL NO.		DOCUMENT NO.					
	DRAFT WHERE APPLICABLE MUST REMAIN WITHIN DIMENSIONS			SEE TABLE		SD-78109-001				
				SIZE	THIS DRAWING CONTAINS INFORMATION THAT IS PROPRIETARY TO MOLEX INCORPORATED AND SHOULD NOT BE USED WITHOUT WRITTEN PERMISSION					
A1	REV			A3	3 OF 6					



RECOMMENDED PCB LAYOUT

ADD MOIST.BARRIER BAG EC NO: S2013-0226 DRWN:SKANG 2012/10/17 CHKD:ATSEE 2012/11/01 APPR:MLONG 2012/11/01	QUALITY SYMBOLS ▽=0 ◻=0	GENERAL TOLERANCES (UNLESS SPECIFIED)		DIMENSION STYLE MM ONLY	SCALE NTS	DESIGN UNITS METRIC	THIRD ANGLE PROJECTION	
				DRAWN BY YKOH	DATE 2006/06/27	TITLE SERIAL ATA RECEPTACLE 1.8 INCH HDD RIGHT-ANGLE, SMT		
				CHECKED BY SHONG	DATE 2006/07/28	MOLEX INCORPORATED		
				APPROVED BY KCL ING	DATE 2006/07/28	MATERIAL NO. SEE TABLE	DOCUMENT NO. SD-78109-001	SHEET NO. 4 OF 6
A1	DESCRIPTION	DRAFT WHERE APPLICABLE MUST REMAIN WITHIN DIMENSIONS		SIZE A3	THIS DRAWING CONTAINS INFORMATION THAT IS PROPRIETARY TO MOLEX INCORPORATED AND SHOULD NOT BE USED WITHOUT WRITTEN PERMISSION			

PACKAGING INFORMATION : TRAY



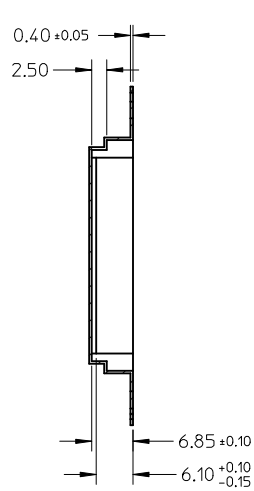
DETAIL1

NOTES:

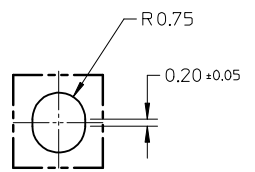
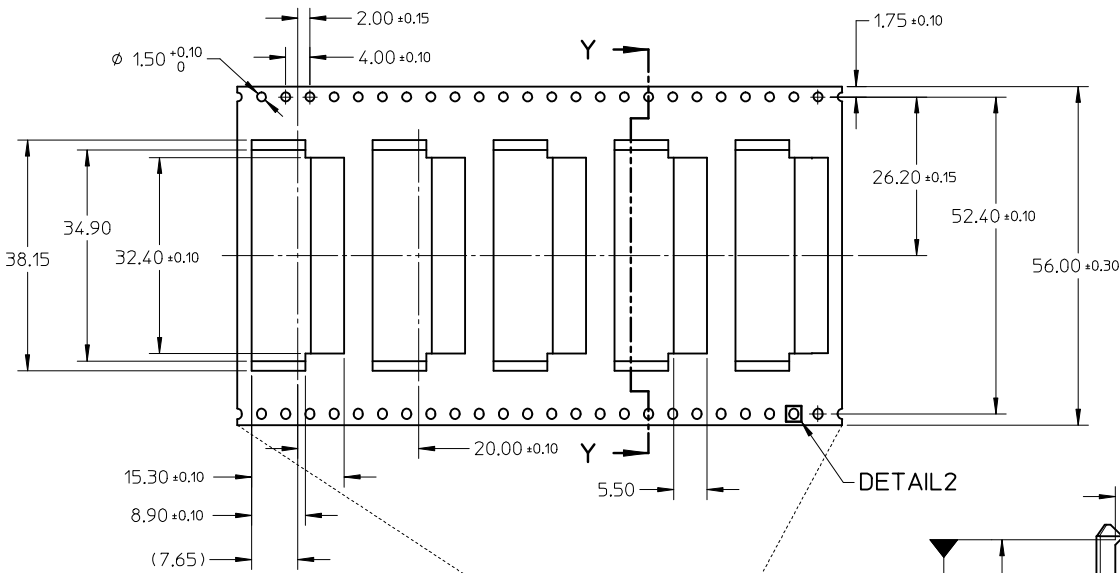
1. PACKAGING QUANTITY : 54 PCS PER TRAY
2. MATERIAL : PVC - CLEAR, ANTISTATIC  
0.70MM THICK (PRE-FORMED)

ADD MOIST BARRIER BAG EC NO: S2013-0226 DRWN:SKANG 2012/10/17 CHKD:ATSEE 2012/11/01 APPR:MLONG 2012/11/01	QUALITY SYMBOLS ▽=0 ◻=0	GENERAL TOLERANCES (UNLESS SPECIFIED)		DIMENSION STYLE MM ONLY	SCALE NTS	DESIGN UNITS METRIC	THIRD ANGLE PROJECTION		
		4 PLACES ± --- ± --- 3 PLACES ± --- ± --- 2 PLACES ± 0.20 ± --- 1 PLACE ± --- ± ---	mm INCH	DRAWN BY YKOH	DATE 2006/06/27	TITLE SERIAL ATA RECEPTACLE 1.8 INCH HDD RIGHT-ANGLE, SMT			
		ANGULAR ± 3 °		CHECKED BY SHONG	DATE 2006/07/28	MOLEX INCORPORATED			
	DRAFT WHERE APPLICABLE MUST REMAIN WITHIN DIMENSIONS			APPROVED BY KCL ING	DATE 2006/07/28	MATERIAL NO. SEE TABLE	DOCUMENT NO. SD-78109-001	SHEET NO. 5 OF 6	
A1	REV DESCRIPTION			SIZE A3	THIS DRAWING CONTAINS INFORMATION THAT IS PROPRIETARY TO MOLEX INCORPORATED AND SHOULD NOT BE USED WITHOUT WRITTEN PERMISSION				

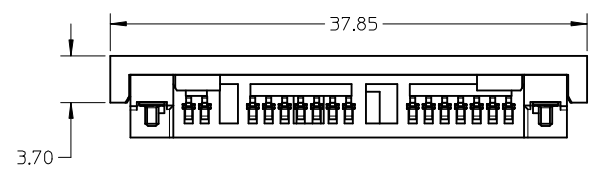
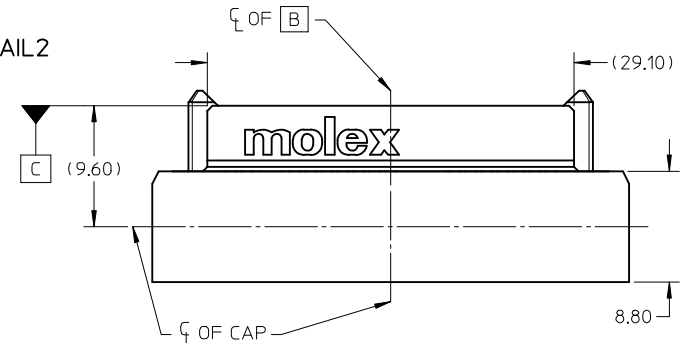
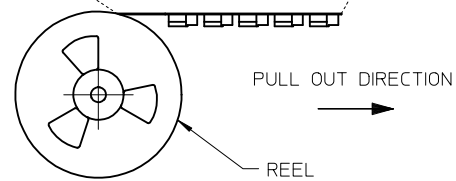
PACKAGING INFORMATION : TAPE & REEL



SECTION Y-Y

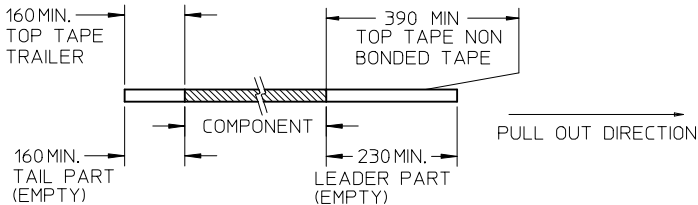


DETAIL2

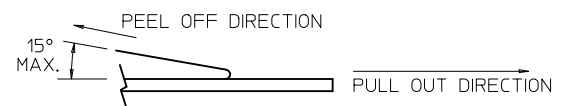


NOTES:

1. LEADER AND TRAILER TAPE



2. PEELING OFF FORCE OF THE TOP TAPE: 20 - 80gf. (PEELING DIRECTION AS SHOWN IN FOLLOWING FIGURE)



- 3. TAPE AND REEL SPECIFICATION IS AS PER EIA-481.
- 4. TAPE AND REEL QUANTITY : 480 PCS/ REEL.
- 5. THE TAPE IS TREATED FOR ANTI-STATIC.

ADD MOIST BARRIER BAG EC NO: S2013-0226 DRWN:SKANG CHKD:ATSEE APPR:MLONG 2012/10/17 2012/11/01 2012/11/01	QUALITY SYMBOLS ▽=0 ◻=0	GENERAL TOLERANCES (UNLESS SPECIFIED)		DIMENSION STYLE	SCALE	DESIGN UNITS	THIRD ANGLE PROJECTION	
				MM ONLY	NTS	METRIC		
			mm	INCH	DRAWN BY	DATE	TITLE	
		4 PLACES	± ---	± ---	YKOH	2006/06/27	SERIAL ATA RECEPTACLE	
3 PLACES	± ---	± ---	CHECKED BY	DATE	1.8 INCH HDD			
2 PLACES	± 0.20	± ---	SHONG	2006/07/28	RIGHT-ANGLE, SMT			
1 PLACE	± ---	± ---	APPROVED BY	DATE	MOLEX INCORPORATED			
ANGULAR ± 3 °		KCL ING		2006/07/28	MOLEX INCORPORATED			
DRAFT WHERE APPLICABLE MUST REMAIN WITHIN DIMENSIONS		MATERIAL NO.		DOCUMENT NO.		SHEET NO.		
A1		SEE TABLE		SD-78109-001		6 OF 6		
		SIZE A3		THIS DRAWING CONTAINS INFORMATION THAT IS PROPRIETARY TO MOLEX INCORPORATED AND SHOULD NOT BE USED WITHOUT WRITTEN PERMISSION				