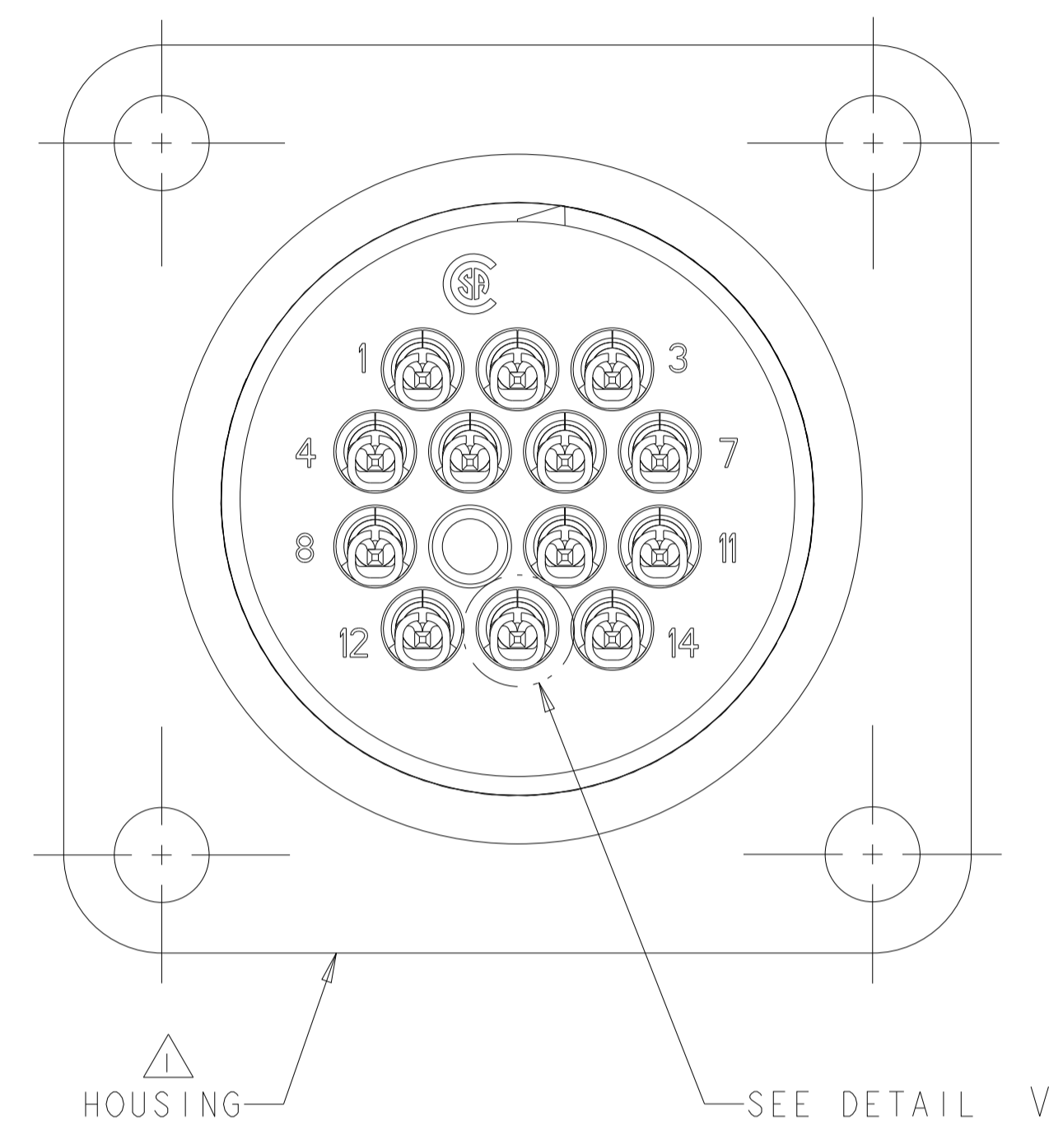
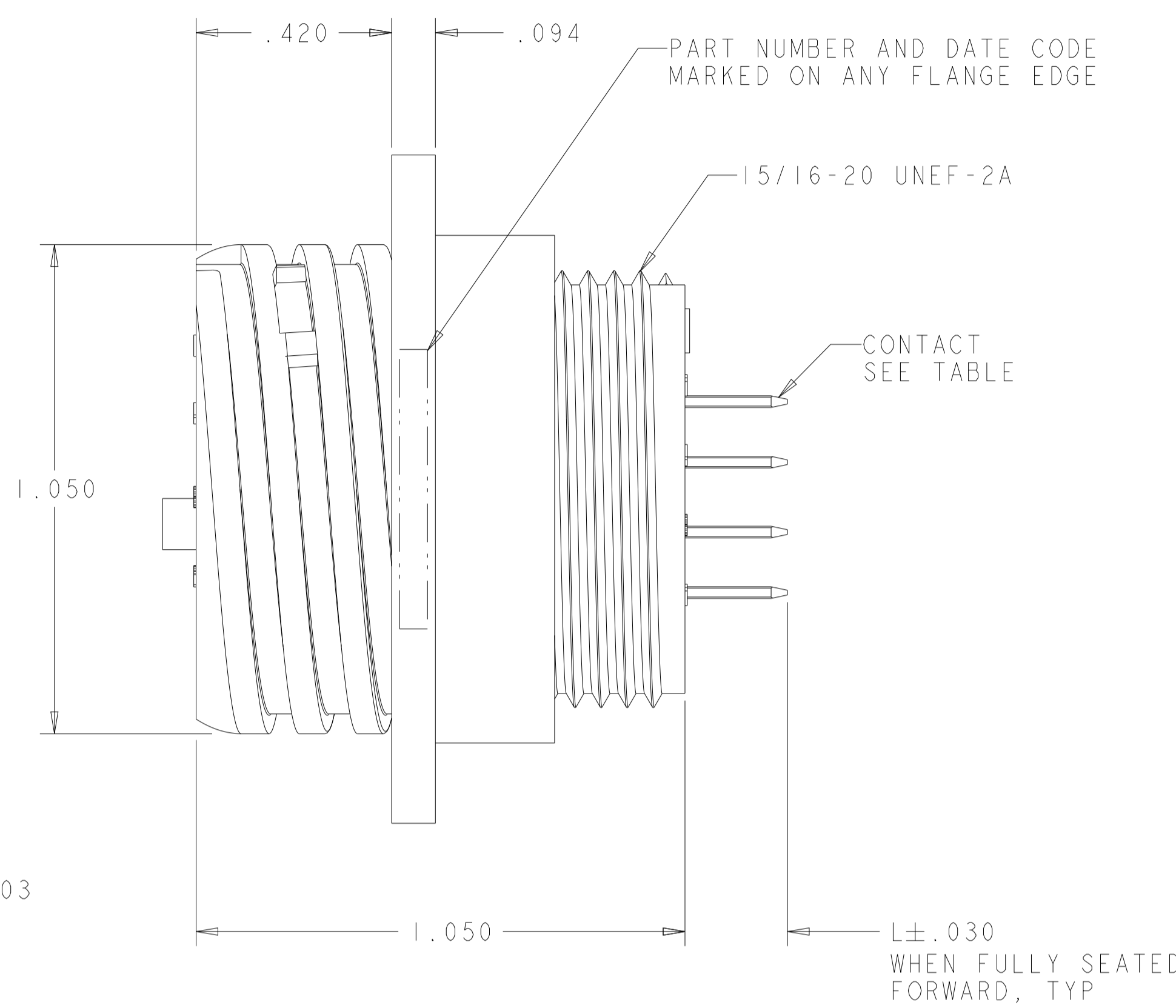
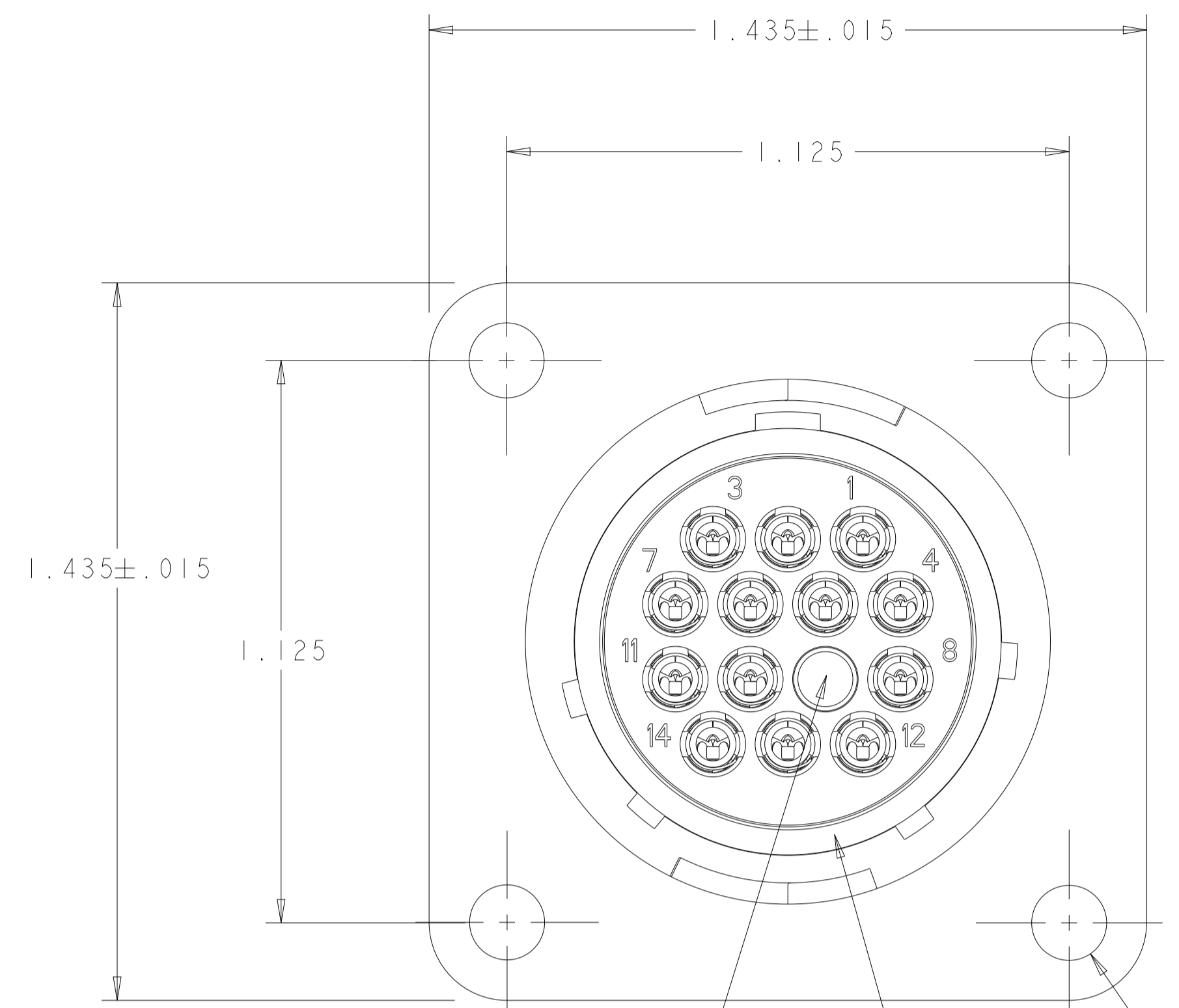
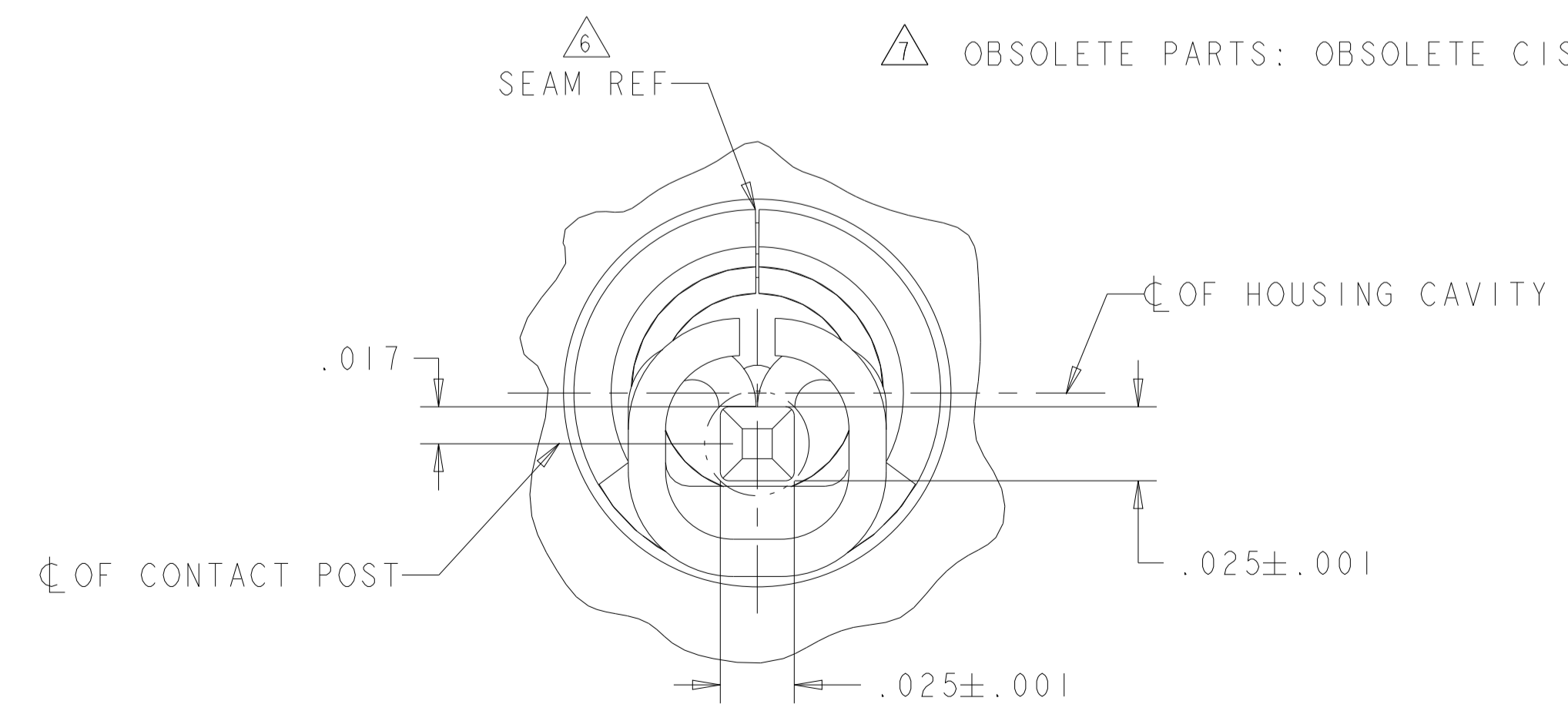


REVISIONS				
P	LTN	DESCRIPTION	DATE	OWN APVD
T1		REVISED PER ECR-22-144105	29JUN2022	RK MZ



KEYING PLUG SEE TABLE  
 PERIPHERAL SEAL SEE TABLE  
 $\varnothing .150 \pm .003$  4 PLC

- 1 HOUSING: NYLON, UL 94 V-0 RATED, BLACK.
- 2 CONTACT:  
 BODY - BRASS, .000100 MIN TIN-LEAD OVER .000050 MIN NICKEL.  
 POST - BRASS, .000100 MIN TIN-LEAD OVER .000050 MIN NICKEL.
- 3 CONTACT:  
 BODY - BRASS, .000100 MIN TIN OVER .000050 MIN NICKEL.  
 POST - BRASS, .000100 MIN TIN OVER .000050 MIN NICKEL.
- 4 PERIPHERAL SEAL: ELASTOMER, BLACK.
- 5 KEYING PLUG: NYLON, NATURAL.
- 6 .009 MAXIMUM CONTACT LEAD-IN SEAM GAP PERMISSIBLE ON MATING FACE END.
- 7 OBSOLETE PARTS: OBSOLETE CIS STREAMLINING PER D.RENAUD/D.SINISI



DETAIL V  
 SCALE 20:1

STATUS	L	KEYING PLUG	PERIPHERAL SEAL	FINISH	QTY	SELECT LOAD IN POSITIONS	PART NUMBER
OBSOLETE				3	13	1-5, 7-14	<del>1-213825-8</del>
				3	14	ALL	1-213825-7
				3	11	1, 3, 4, 6, 8-14	1-213825-6
				3	13	1-8, 10-14	1-213825-5
				3	13	1-5, 7-14	1-213825-4
OBSOLETE				2	12	1, 2, 4, 5, 7-14	<del>1-213825-3</del>
7 OBSOLETE				2	13	1-8, 10-14	1-213825-2
				2	13	1-5, 7-14	<del>1-213825-1</del>
				2	11	1, 3, 4, 6, 8-14	213825-9
8 OBSOLETE				2	13	1-8, 10-14	<del>213825-5</del>
OBSOLETE				2	13	1-5, 7-14	<del>213825-4</del>
OBSOLETE				2	13	1-5, 7-14	<del>213825-3</del>
9 OBSOLETE				2	11	1, 3, 4, 6, 8-14	<del>213825-2</del>
OBSOLETE				2	14	ALL	<del>213825-1</del>

THIS DRAWING IS A CONTROLLED DOCUMENT. OWN S. WELDON 23MAY2003  
 CHK S. HEADER 23MAY2003  
 APVD S. HEADER 23MAY2003

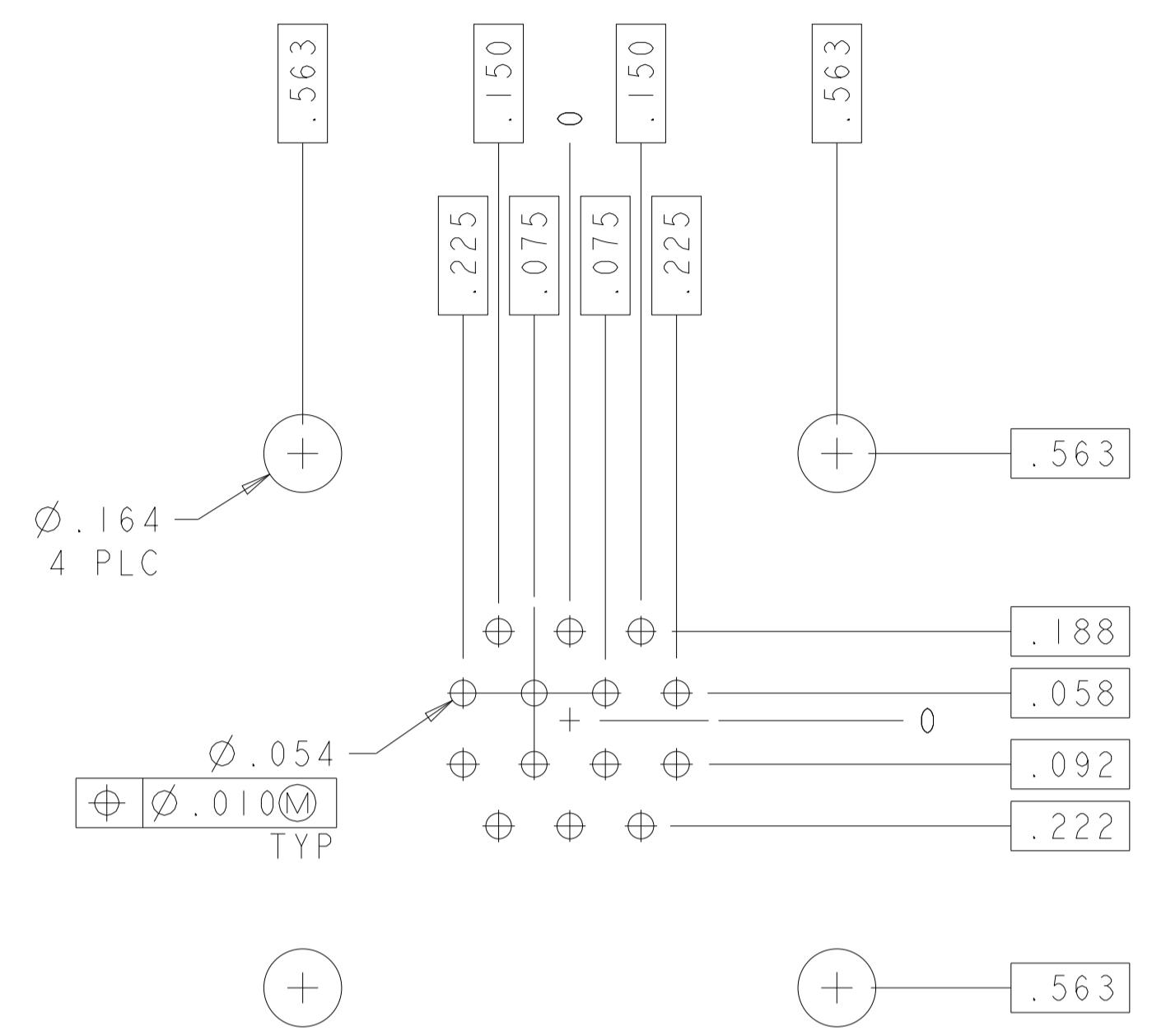
TE Connectivity

RECEPTACLE ASSEMBLY, POSTED, SERIES 1, REVERSE SEX, CPC

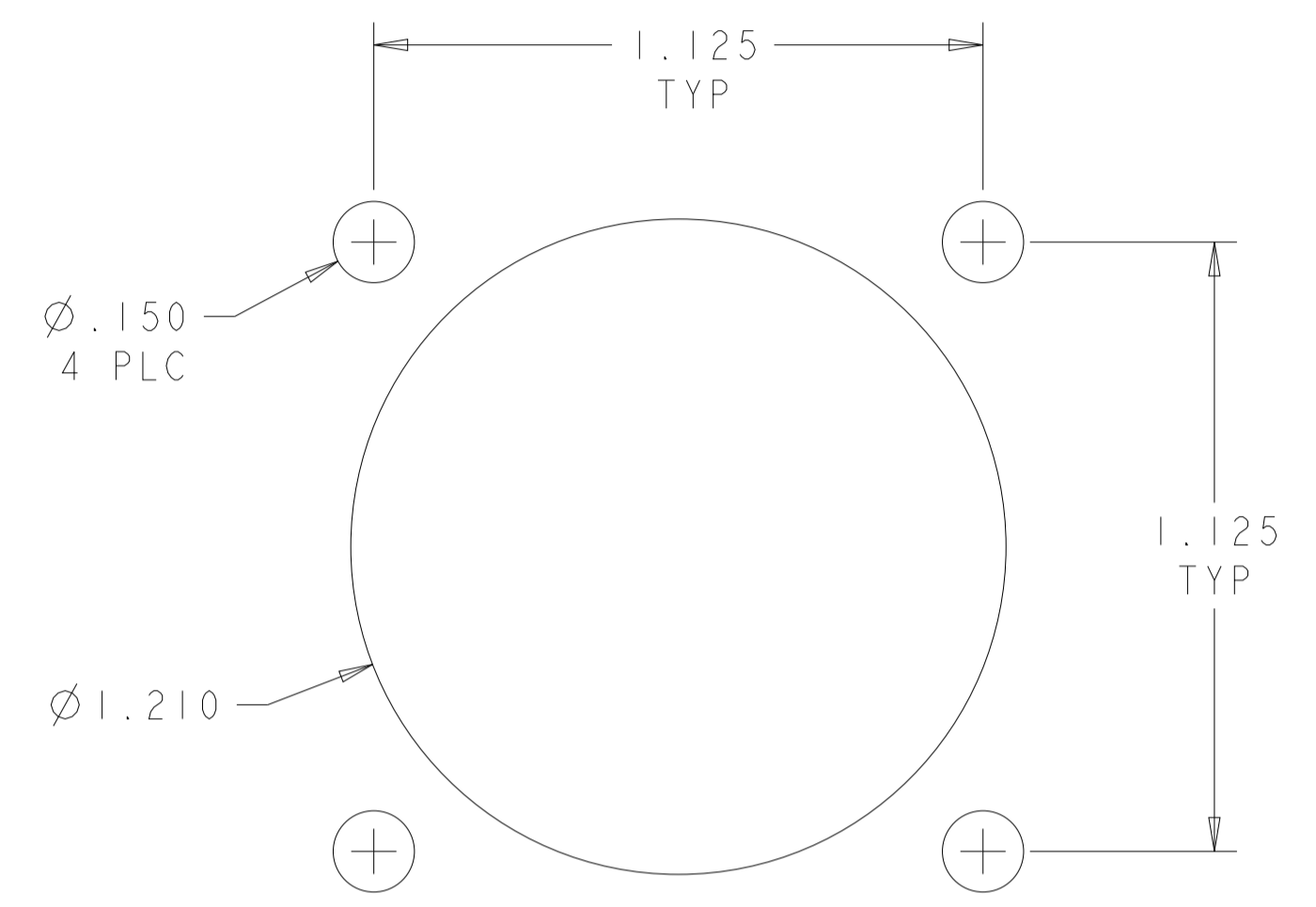
SIZE: A1 00779 C=213825

SCALE: 4:1 SHEET 1 OF 2 REV T1

REVISIONS				
P	LTN	DESCRIPTION	DATE	APVD
-		SEE SHEET 1	-	-



RECOMMENDED PC BOARD LAYOUT  
 SCALE 3:1



RECOMMENDED PANEL LAYOUT  
 .125 MAX PANEL THICKNESS  
 SCALE 3:1

THIS DRAWING IS A CONTROLLED DOCUMENT.		DWN S. WELDON 23MAY2003 CHK S. HEADER 23MAY2003 APVD S. HEADER 23MAY2003	
DIMENSIONS: INCHES	TOLERANCES UNLESS OTHERWISE SPECIFIED: 0 PLC ±0 1 PLC ±0 2 PLC ±0 3 PLC ±0.010 4 PLC ±0 ANGLES ±0 FINISH -	NAME RECEPTACLE ASSEMBLY, POSTED, SERIES 1, REVERSE SEX, CPC PRODUCT SPEC - APPLICATION SPEC -	
MATERIAL -	WEIGHT -	SIZE A1 CAGE CODE 00779 DRAWING NO C=213825	RESTRICTED TO - SCALE 4:1 SHEET 2 OF 2 REV T1
CUSTOMER DRAWING			