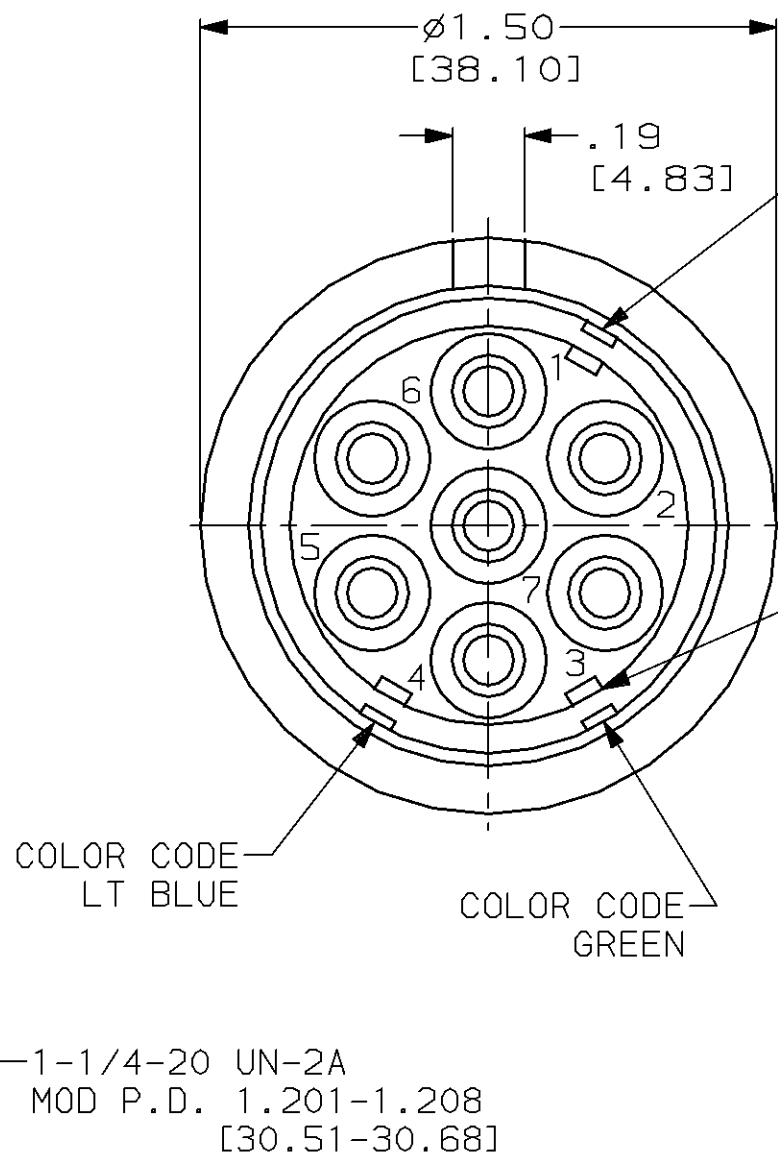
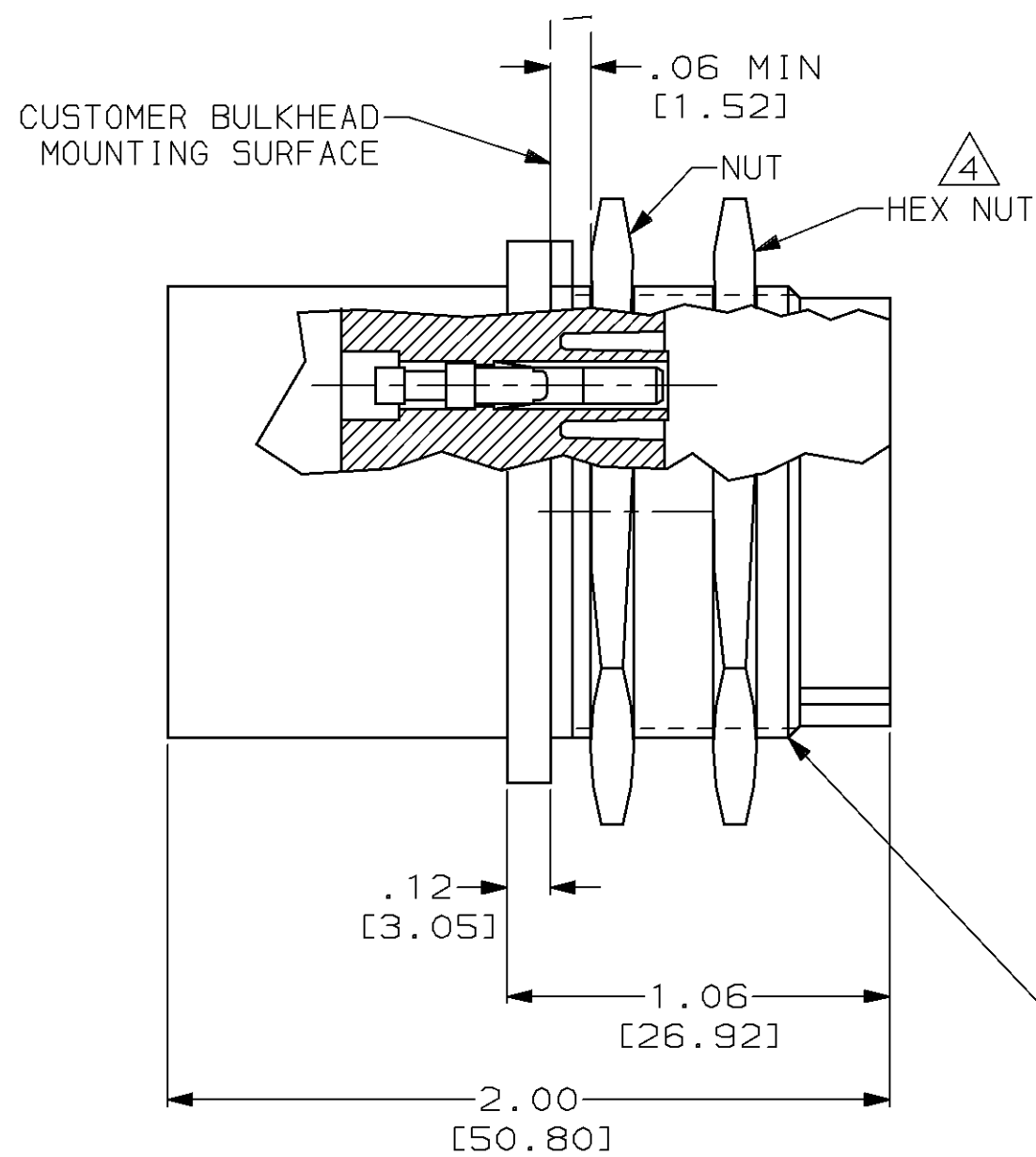
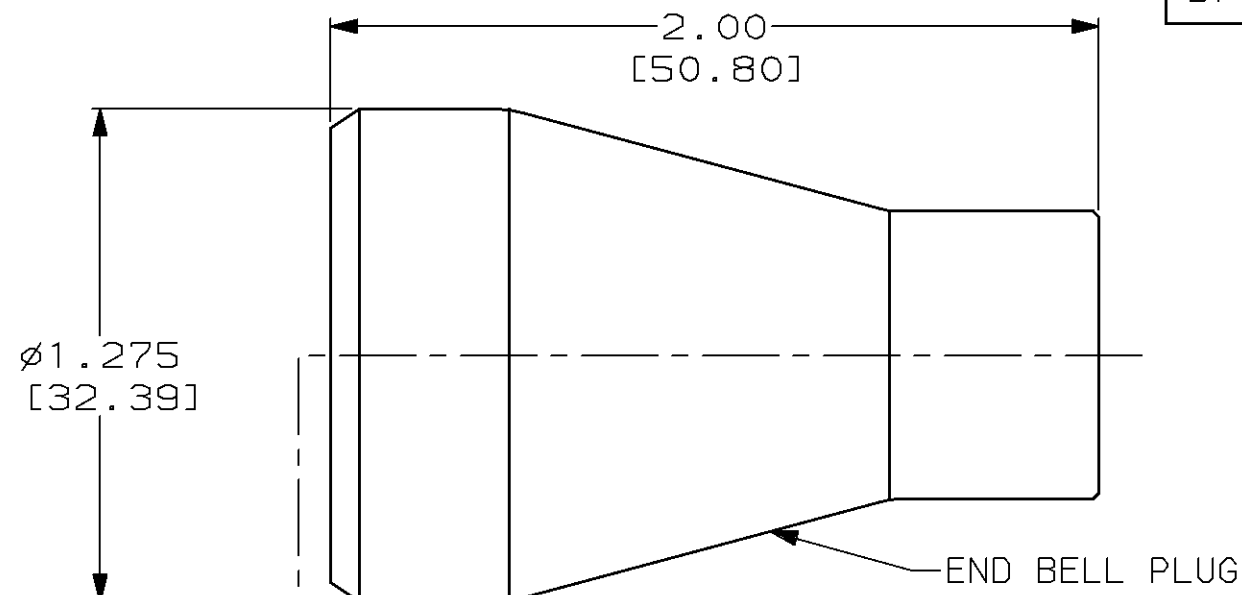


THIS DRAWING IS UNPUBLISHED. RELEASED FOR PUBLICATION
 © COPYRIGHT 19 BY AMP INCORPORATED. ALL RIGHTS RESERVED.

LOC	DIST	REVISIONS			
P	LTR	DESCRIPTION	DATE	DWN	APVD
DF	SO	REV PER 0600-4687-95	10-95	CT	CS

- ① TYPE II PINS & SOCKETS TO ACCEPT ONE #20 AWG, ONE #22 AWG, OR ONE #24 AWG STRANDED WIRE.
- ② TYPE II PINS & SOCKETS TO ACCEPT ONE #16 AWG, ONE #18 AWG STRANDED WIRE.
- ③ TYPE II PINS & SOCKETS TO ACCEPT ONE #14 AWG, STRANDED WIRE.
- ④ SECOND HEX NUT IS SUPPLIED WITH -8 & -9 ONLY.



COLOR CODE WHITE

COLOR CODE WHITE

COLOR CODE GREEN

COLOR CODE LT BLUE

COLOR CODE GREEN

COLOR CODE LT BLUE

KEYWAY 3 PLC

KEYWAY 3 PLC

RING, RETAINING (STAINLESS STEEL)

O-RING

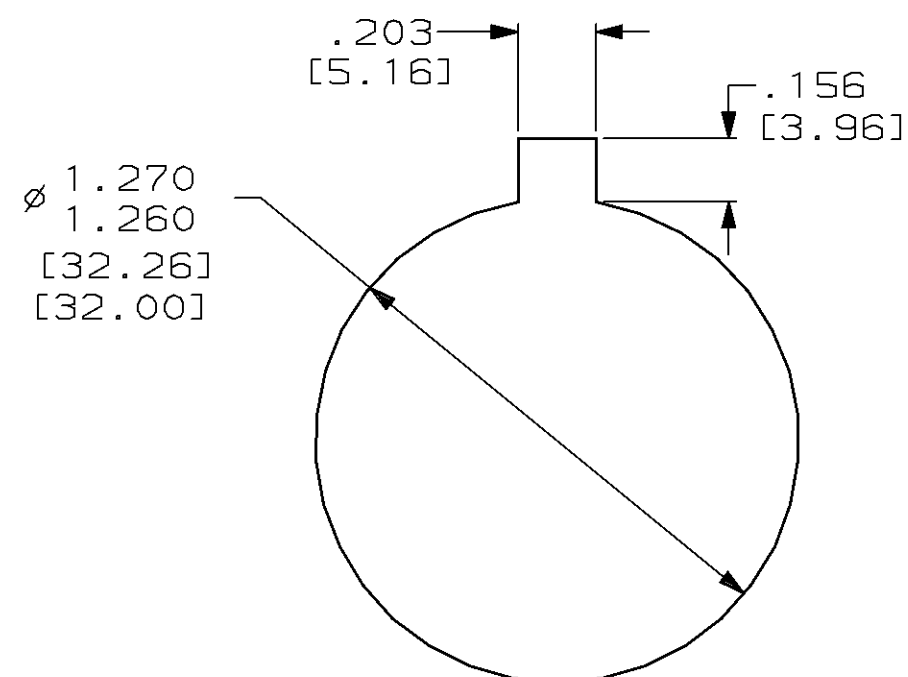
1.06 [26.92]

HOUSING

CAP

PLUG

RECEPTACLE



RECOMMENDED PANEL CUTOUT

REMARKS	COLOR CODE	HAND TOOL	WIRE SIZE RANGE	PLUG	RECEPTACLE	PART NUMBER	
②④	NO	45098	16, 18	863024-2	861647-8	863019-9	
①④	NO	45099	20, 22, 24	863024-1	861647-7	863019-8	
OBSOLETE	-	-	-	863024-8	861647-6	863019-7	
OBSOLETE	③	YES	45098	14	863024-7	861647-5	863019-6
OBSOLETE	②	YES	45098	16, 18	863024-6	861647-2	863019-5
OBSOLETE	①	YES	45099	22, 24	863024-5	861647-1	863019-4
	④	NO	45098	14	863024-3	861647-9	863019-3
	②	NO	45098	16, 18	863024-2	861647-8	863019-2
	①	NO	45099	20, 22, 24	863024-1	861647-7	863019-1

THIS DRAWING IS A CONTROLLED DOCUMENT FOR AMP INCORPORATED. IT IS SUBJECT TO CHANGE AND THE CONTROLLING ENGINEERING ORGANIZATION SHOULD BE CONTACTED FOR THE LATEST REVISION.

DIMENSIONS: IN [mm]	TOLERANCES UNLESS OTHERWISE SPECIFIED:	DWN T. THOMPSON 03-08-95	AMP AMP Incorporated Harrisburg, PA 17105-3608
	0 PLC ±-	CHK D. EARY 04-19-95	
	1 PLC ±-	APVD D. EARY 04-19-95	
	2 PLC ±.04 [1.03]	PRODUCT SPEC	
MATERIAL MOLDED PLASTIC	3 PLC ±.015 [0.38]	APPLICATION SPEC	NAME 7 PIN PLUG & RECEPTACLE KIT LGH
	4 PLC ±-	WEIGHT -	SIZE A2 CAGE CODE 00779 DRAWING NO C-863019
	ANGLES ±-	CUSTOMER DRAWING	SCALE 2:1 SHEET 1 OF 1 REV H
	FINISH BLACK		