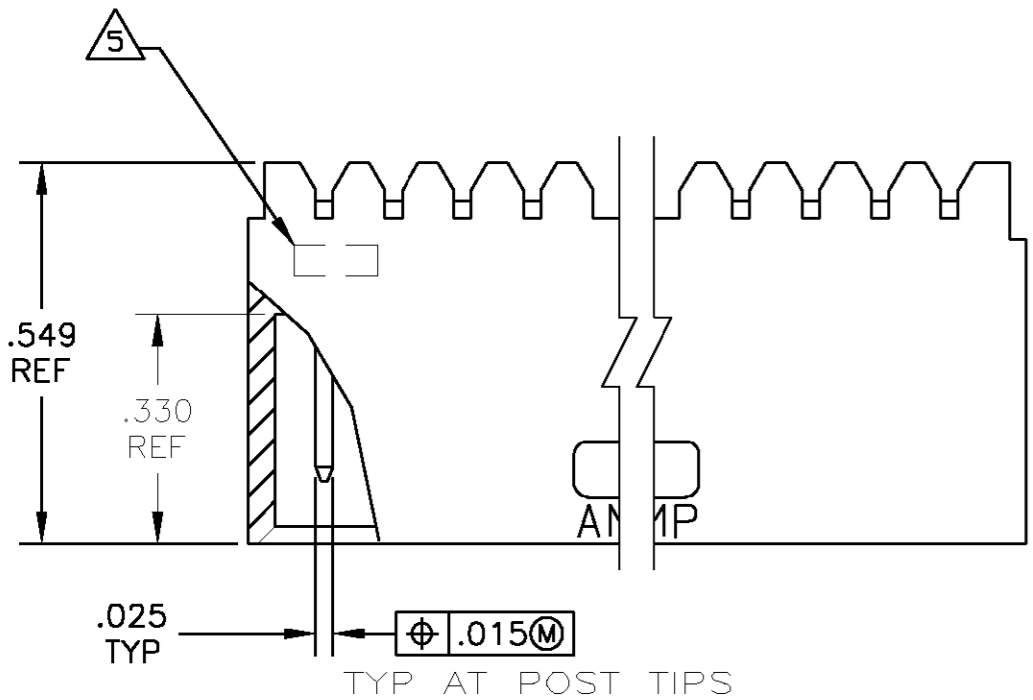
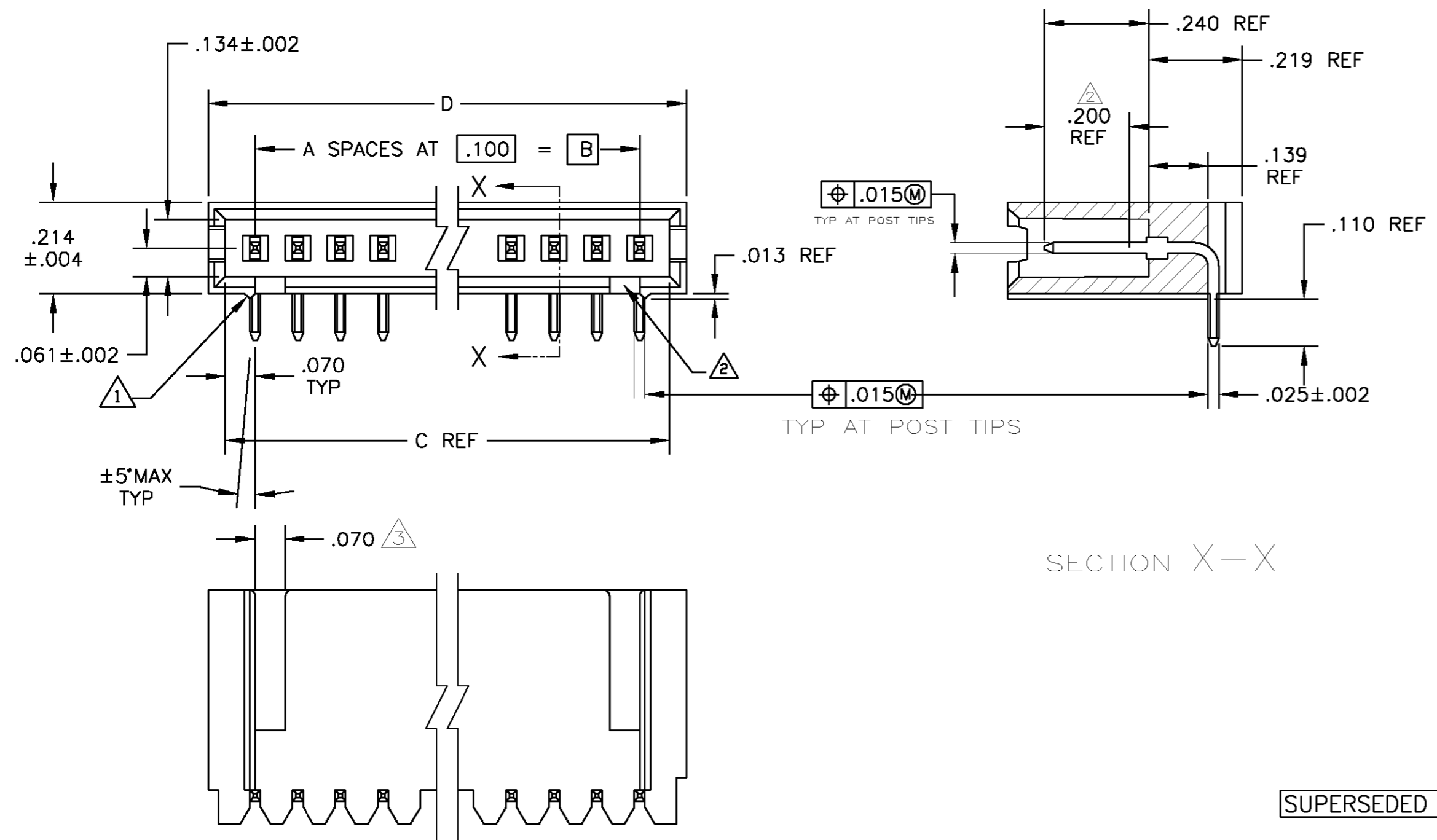


LOC		DIST		REVISIONS			
P	LTR	DESCRIPTION	DATE	DWN	APVD		
AD	39						
H		REV PER 0G3C-0289-00	18JUL00	BH	JG		

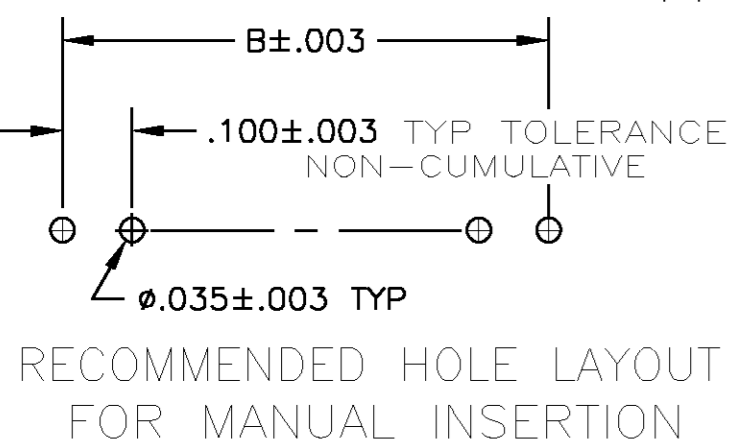


- ① STANDOFFS: UP TO 9 POS-(2 REQD) ON THE OUTSIDE ENDS OF THE HOUSING
 10 TO 19 POS-(3 REQD) TWO ON THE OUTSIDE ENDS AND ONE CENTERED ON THE HOUSING
 19 POS AND LARGER-(4 REQD) TWO ON THE OUTSIDE ENDS AND TWO SPACED EVENLY WITHIN THE REMAINING LENGTH OF THE HOUSING
- ② FOR 3 POSITION ONE SLOT, .215 WIDE.
- ③ .000100-.000200 TIN OVER .000050 NICKEL IN INDICATED AREA.

- ④ .000030 GOLD OVER .000050 NICKEL IN INDICATED AREA.
- ⑤ AMP LOGO MOLDED IN HOUSING. DATE CODE TO BE HOT EMBOSSED ON HOUSING. AMP PART NUMBER AND CUSTOMER PART NUMBER TO BE INK STAMPED WITH .062±.015 HIGH CHARACTERS.
- ⑥ HOUSING: FLAME RETARDANT THERMOPLASTIC, COLOR-BLACK. POST: PHOS-BRONZE.



SECTION X-X



RECOMMENDED HOLE LAYOUT FOR MANUAL INSERTION

	731W10331	.420	.340	.200	2	3	3-102369-4	
OBSOLETE	-	3.720	3.640	3.500	35	36	3-	-3
OBSOLETE	-	3.620	3.540	3.400	34	35	3-	-2
OBSOLETE	-	3.520	3.440	3.300	33	34	3-	-1
OBSOLETE	-	3.420	3.340	3.200	32	33	3-	-0
OBSOLETE	-	3.320	3.240	3.100	31	32	2-	-9
OBSOLETE	-	3.220	3.140	3.000	30	31	2-	-8
OBSOLETE	-	3.120	3.040	2.900	29	30	2-	-7
OBSOLETE	-	3.020	2.940	2.800	28	29	2-	-6
OBSOLETE	-	2.920	2.840	2.700	27	28	2-	-5
OBSOLETE	-	2.820	2.740	2.600	26	27	2-	-4
OBSOLETE	-	2.720	2.640	2.500	25	26	2-	-3
OBSOLETE	-	2.620	2.540	2.400	24	25	2-	-2
OBSOLETE	-	2.520	2.440	2.300	23	24	2-	-1
OBSOLETE	-	2.420	2.340	2.200	22	23	2-	-0
OBSOLETE	-	2.320	2.240	2.100	21	22	1-	-9
OBSOLETE	-	2.220	2.140	2.000	20	21	1-	-8
OBSOLETE	-	2.120	2.040	1.900	19	20	1-	-7
OBSOLETE	-	2.020	1.940	1.800	18	19	1-	-6
OBSOLETE	-	1.920	1.840	1.700	17	18	1-	-5
OBSOLETE	-	1.820	1.740	1.600	16	17	1-	-4
OBSOLETE	-	1.720	1.640	1.500	15	16	1-	-3
OBSOLETE	-	1.620	1.540	1.400	14	15	1-	-2
OBSOLETE	-	1.520	1.440	1.300	13	14	1-	-1
OBSOLETE	-	1.420	1.340	1.200	12	13	1-	-0
OBSOLETE	-	1.320	1.240	1.100	11	12		-9
OBSOLETE	-	1.220	1.140	1.000	10	11		-8
	731W11031	1.120	1.040	.900	9	10		-7
OBSOLETE	-	1.020	.940	.800	8	9		-6
OBSOLETE	731W10831	.920	.840	.700	7	8		-5
OBSOLETE	-	.820	.740	.600	6	7		-4
SUPERSEDED BY 103361-4	713W10631	.720	.640	.500	5	6		-3
	713E10531	.620	.540	.400	4	5		-2
SUPERSEDED BY 103361-2	713W10431	.520	.440	.300	3	4	102369-1	
	CUSTOMER PART NUMBER	D	C	B	A	NO OF POS	ASSEMBLY PART NUMBER	

THIS DRAWING IS A CONTROLLED DOCUMENT.

DWN: E. BRANDBURG 13-JAN-97
 CHK: -
 APVD: S. SHUEY 13-JAN-97
 NAME: -
 PRODUCT SPEC: -
 APPLICATION SPEC: -

AMP Tyco Electronics Corporation
 Harrisburg, PA 17105

ASSEMBLY, MOD II, HEADER, SINGLE ROW,
 .100 C/L, RIGHT ANGLE, WITH .025 SQ POST

SIZE: A2 CAGE CODE: 00779 DRAWING NO: C-102369 RESTRICTED TO: -
 WEIGHT: -
 CUSTOMER DRAWING SCALE: 4:1 SHEET: 1 OF 1 REV: H