

# Customer Information Sheet

DRAWING No.: M80-852XXXX

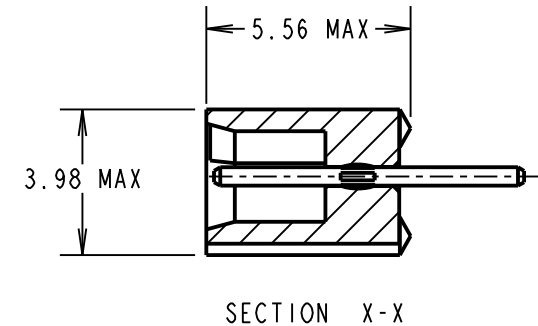
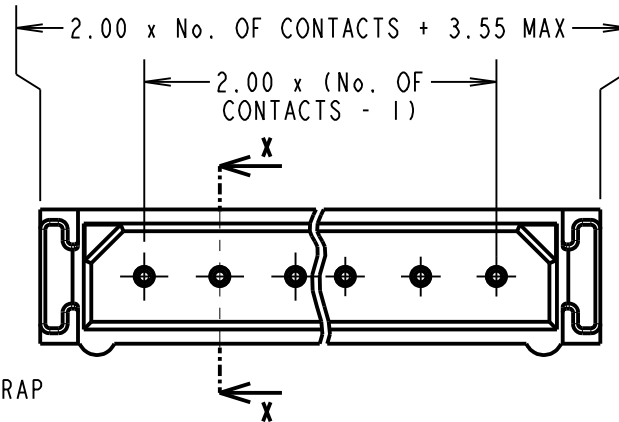
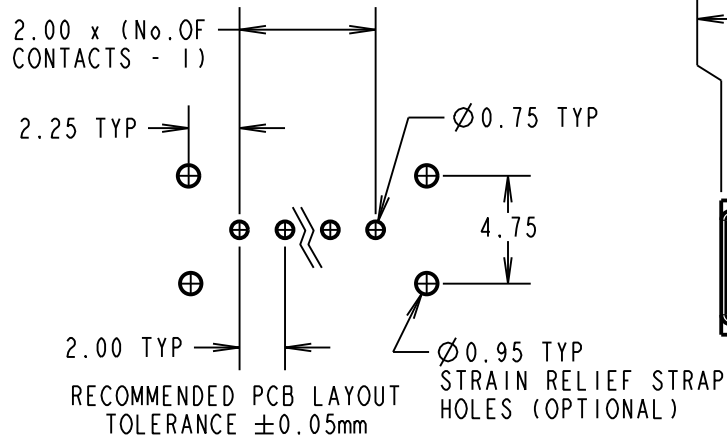
IF IN DOUBT - ASK

©

NOT TO SCALE

THIRD ANGLE PROJECTION

ALL DIMENSIONS IN mm



**SPECIFICATIONS:**

**MATERIAL:**  
 Moulding = GLASS-FILLED PPS UL94V-0, BLACK  
 CONTACTS = PHOSPHOR BRONZE

**FINISH:**  
**CONTACTS:**  
 22 = 0.75µm GOLD ON CONTACT AREA,  
 3µm 90/10 TIN/LEAD ON TAILS  
 42 = 0.75µm GOLD ON CONTACT AREA,  
 3.0µm 100% TIN OVER NICKEL ON TAILS  
 45 = 0.75µm GOLD

**ELECTRICAL:**  
 CURRENT RATING (25°C) = 3.0A MAX.  
 CURRENT RATING (85°C) = 2.2A MAX.  
 WORKING VOLTAGE = 800V AC/DC  
 VOLTAGE PROOF = 1200V AC/DC  
 CONTACT RESISTANCE (INITIAL) = 20 mΩ MAX.  
 CONTACT RESISTANCE (AFTER CONDITIONING) = 25 mΩ MAX.  
 INSULATION RESISTANCE (INITIAL) = 1000 MΩ MIN.  
 INSULATION RESISTANCE (AFTER CONDITIONING) = 100 MΩ MIN.

**MECHANICAL:**  
 DURABILITY = 500 OPERATIONS

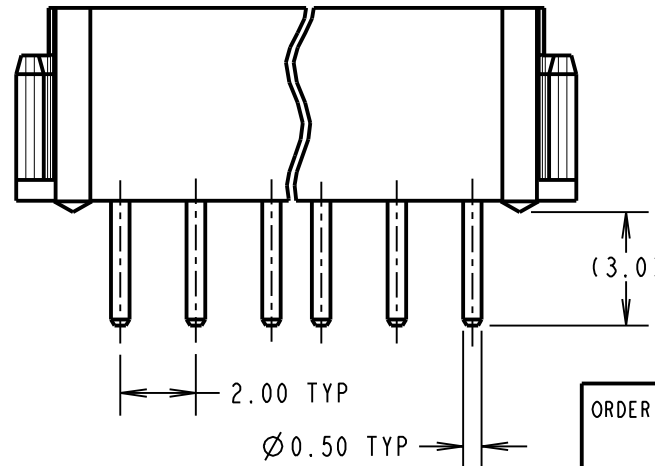
**ENVIRONMENTAL:**  
 TEMPERATURE RANGE = -55°C TO +125°C

**PACKING:**  
 TUBE

FOR COMPLETE SPECIFICATION,  
 SEE COMPONENT SPECIFICATION C005XX (LATEST ISSUE)

**NOTES:**

- 2-OFF STRAIN RELIEF STRAPS M80-0030006 MAY BE USED WITH THIS CONNECTOR.



ORDER CODE: **M80-852XXXX**

TOTAL No. OF WAYS \_\_\_\_\_  
 02 - 07, 17, 22.

**FINISH:**  
 22 = SELECTIVE GOLD + TIN/LEAD  
 42 = SELECTIVE GOLD + 100% TIN  
 45 = GOLD

MGP	8	21.01.21	22137
NAME	ISS.	DATE	CN/CO
APPROVED: MGP			
CHECKED: MR			
DRAWN: I. SANDY			
CUSTOMER REF.:			
ASSEMBLY DRG:			

**HARWIN**

www.harwin.com  
 technical@harwin.com

THIS DRAWING AND ANY INFORMATION OR DESCRIPTIVE MATTER SET OUT HEREON ARE CONFIDENTIAL AND COPYRIGHT PROPERTY OF THE HARWIN GROUP AND MUST NOT BE DISCLOSED, LOANED, COPIED OR USED FOR MANUFACTURING, TENDERING OR FOR ANY OTHER PURPOSE WITHOUT THEIR WRITTEN PERMISSION.

**TOLERANCES**  
 X. = ±1mm  
 X.X = ±0.50mm  
 X.XX = ±0.20mm  
 X.XXX = ±0.01mm

ANGLES = ±5°  
 UNLESS STATED

**MATERIAL:**  
 SEE ABOVE

**FINISH:**  
 SEE ABOVE

**S/AREA:** mm<sup>2</sup>

**TITLE:**  
 DATAMATE SIL  
 VERTICAL PC TAIL PLUG  
 ASSEMBLY (RoHS)

**DRAWING NUMBER:**  
**M80-852XXXX**

SHT  
 2  
 OF 2