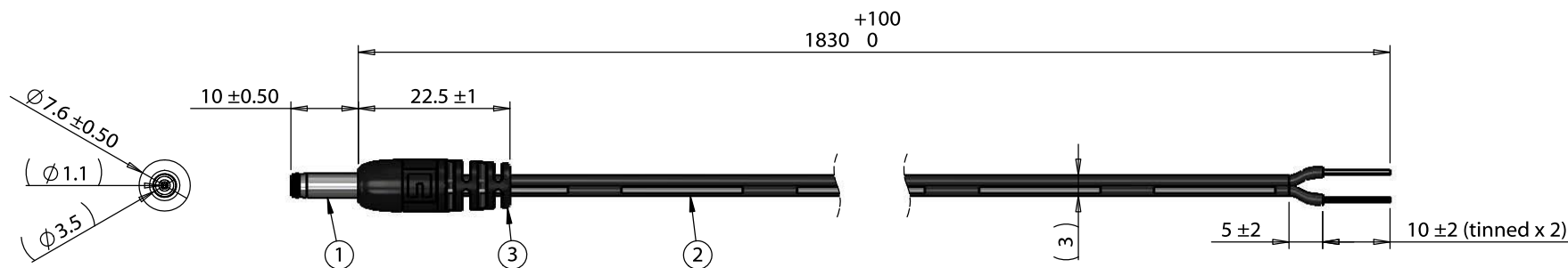


ITEM NO.	PART NUMBER	DESCRIPTION	QTY.	COMPONENT NOTES
1	50-00105	Connector, dc plug, 3.5x1.1xL18.8 mm, molding style, spring contacts	1	
2	30-00404	Wire, 2C TS, 24 AWG, UL2468, 300V, 80C, 3.0 mm, VW-1, PVC, 87A	1	
3	24-00002	Overmold, PVC	1	black



**Notes:**  
Functionally equivalent components may be substituted

Wiring Diagram	
50-00105	wire color
center	black with stripe
sleeve	black

Revision:	Date:	Description:	Prepared:	Notes:	<h1>TENSILITY</h1> tel 1.541.323.3228 800 877.670.7118 fax 1.541.323.4202 web tensility.com
A	01/31/2018	Initial release	GL <small>Digitally signed by GL Date: 2018.03.07 09:50:38 -08'00'</small>		
			Verified:	Function test: no open, no short circuit, no intermittent	
			JP <small>Digitally signed by JP Date: 2018.03.07 10:51:26 -08'00'</small>		
			Dimensions are in millimeters. Tolerances: X: ± 0.5 mm X.X: ± 0.3 mm X.XX: ± 0.05 mm	Description: Cable, 1830 mm, 3.5x1.1x10 mm 50-00001 dc plug to 10 mm tinned, 24 AWG, UL2468, 30-00404 wire	Size: Part number: A 10-02484
					Scale: 1:1  Sheet 1 of 1

5

4

3

2

1