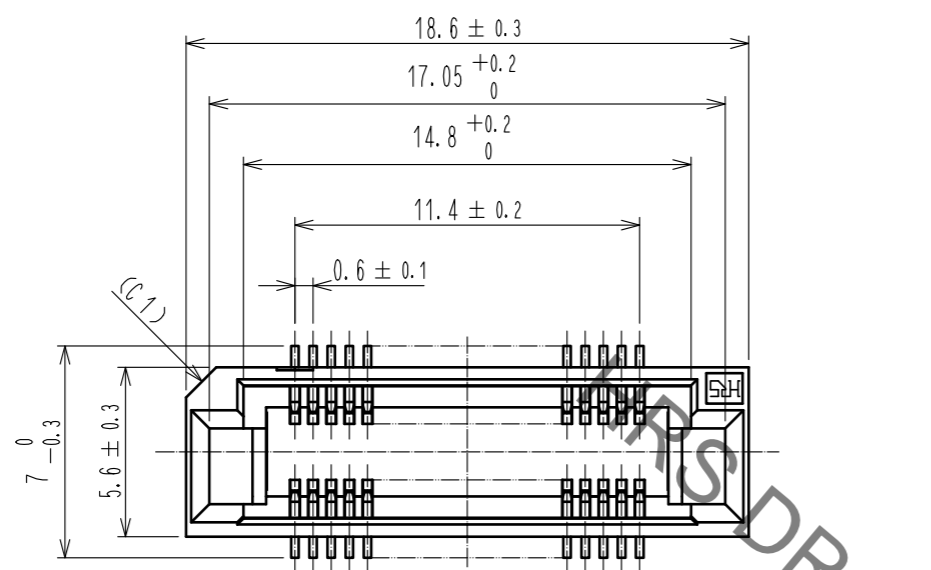
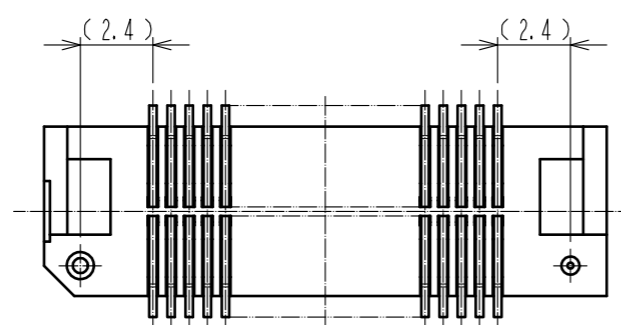
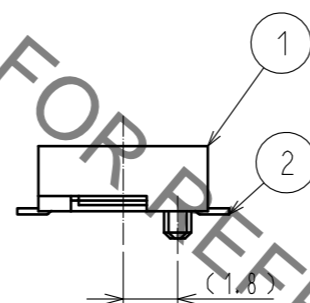
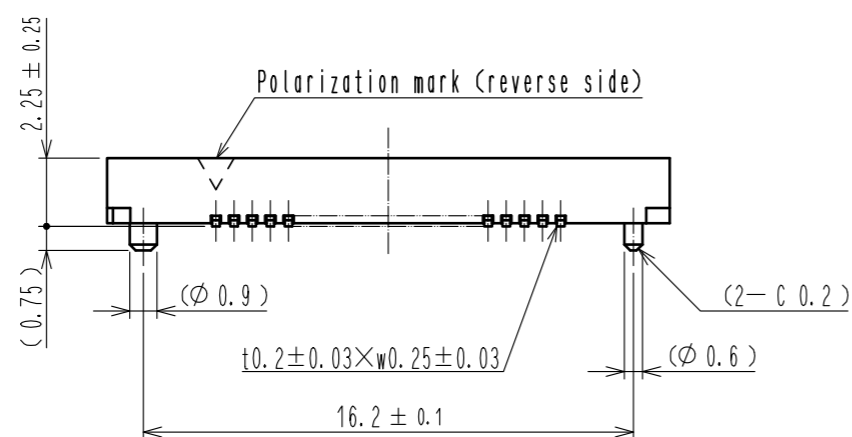
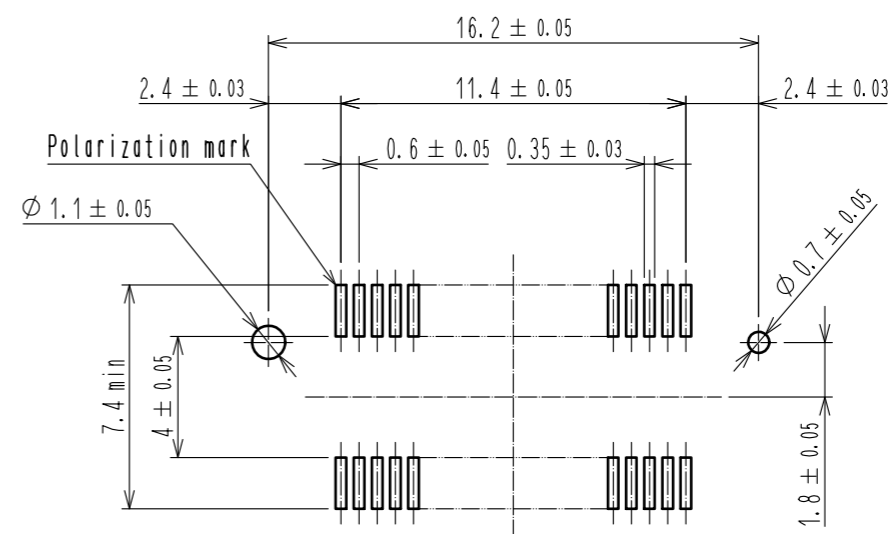


May.1.2023 Copyright 2023 HIROSE ELECTRIC CO., LTD. All Rights Reserved.
In case of consideration for using Automotive equipment / device which demand high reliability, kindly contact our sales window correspondents.



Recommended land pattern dimension of PCB (mounting side)

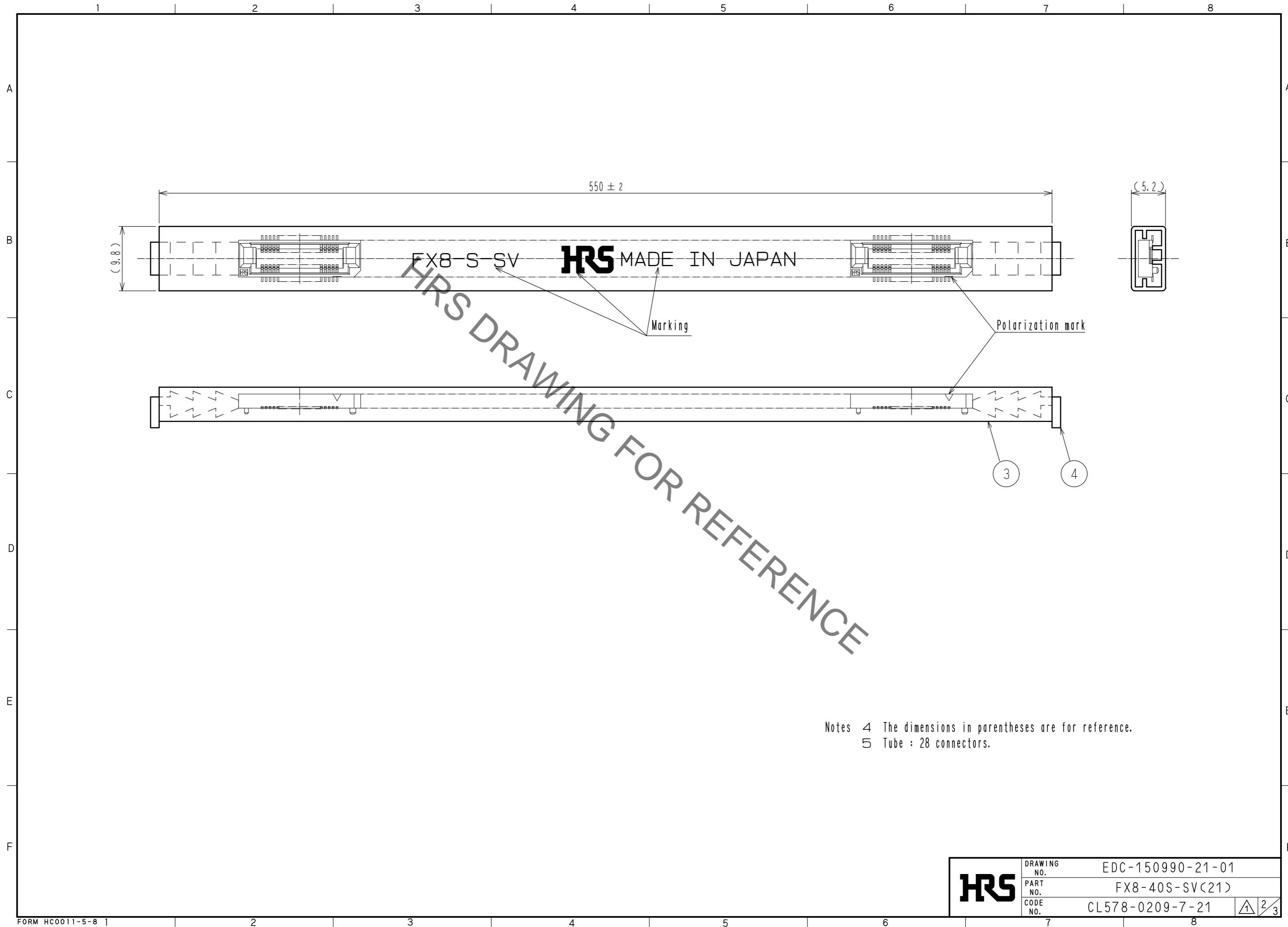


- Notes
- 1 Lead CO-PLANARITY shall be 0.1max.
 - 2 For details, see the section concerning the delivery form on next page.
 - 3 For modification, etc., preventive hole for sink mark may be added depends on circumstances.

2	PHOSPHOR BRONZE	Contact area : Gold (0.1µm) over nickel	4	POLYVINYL CHLORIDE	Stopper		
1	PPS	Lead area : Gold (flush) over nickel	3	POLYVINYL CHLORIDE	Tube		
NO.	MATERIAL	FINISH . REMARKS	NO.	MATERIAL	FINISH . REMARKS		
UNITS mm		SCALE 4 : 1	COUNT 1	DESCRIPTION OF REVISIONS DIS-F-00006412	DESIGNED KS. NAKAJIMA	CHECKED HT. YAMAGUCHI	DATE 20200803
HRS HIROSE ELECTRIC CO., LTD.		APPROVED : HS. OKAWA	20140120	DRAWING NO. EDC-150990-21-01			
		CHECKED : HT. YAMAGUCHI	20140120	PART NO. FX8-40S-SV(21)			
		DESIGNED : KJ. NISHIWAKI	20140118	CODE NO. CL578-0209-7-21			
		DRAWN : KJ. NISHIWAKI	20140118			1/3	

Added precaution

May.1.2023 Copyright 2023 HIROSE ELECTRIC CO., LTD. All Rights Reserved.
In case of consideration for using Automotive equipment / device which demand high reliability, kindly contact our sales window correspondents.



Notes 4 The dimensions in parentheses are for reference.
5 Tube : 28 connectors.

HRS	DRAWING NO.	EDC-150990-21-01
	PART NO.	FX8-40S-SV(21)
	CODE NO.	CL578-0209-7-21
		2/3

May.1.2023 Copyright 2023 HIROSE ELECTRIC CO., LTD. All Rights Reserved.
In case of consideration for using Automotive equipment / device which demand high reliability, kindly contact our sales window correspondents.

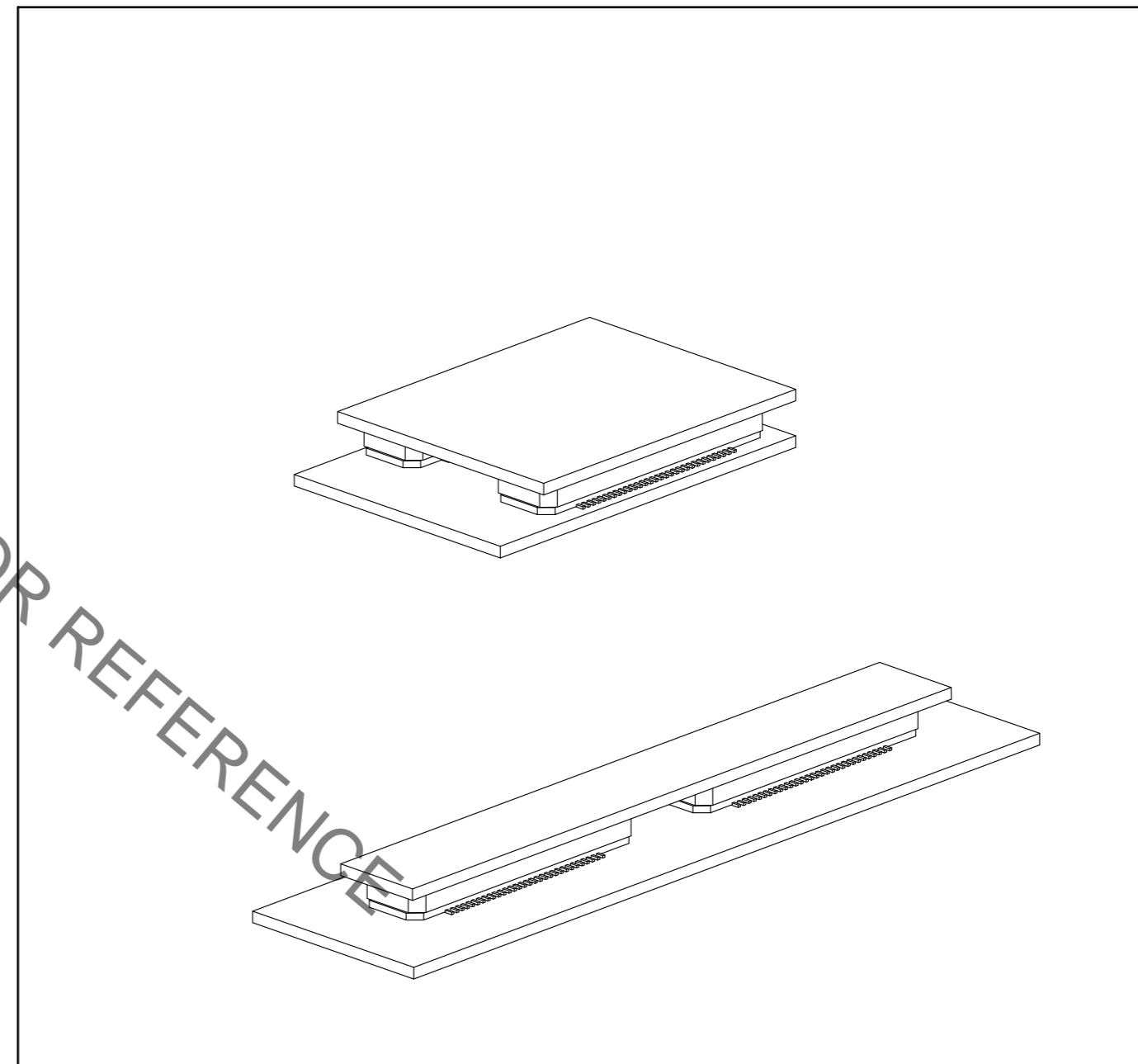
【 Precaution 】

When a board with multiple connectors mounted is mated, the connector may be damaged or deformed.
Please divide one side of the board so only one connector is mated per board.

OK



NG



DRAWING NO.	EDC-150990-21-01
PART NO.	FX8-40S-SV(21)
CODE NO.	CL578-0209-7-21