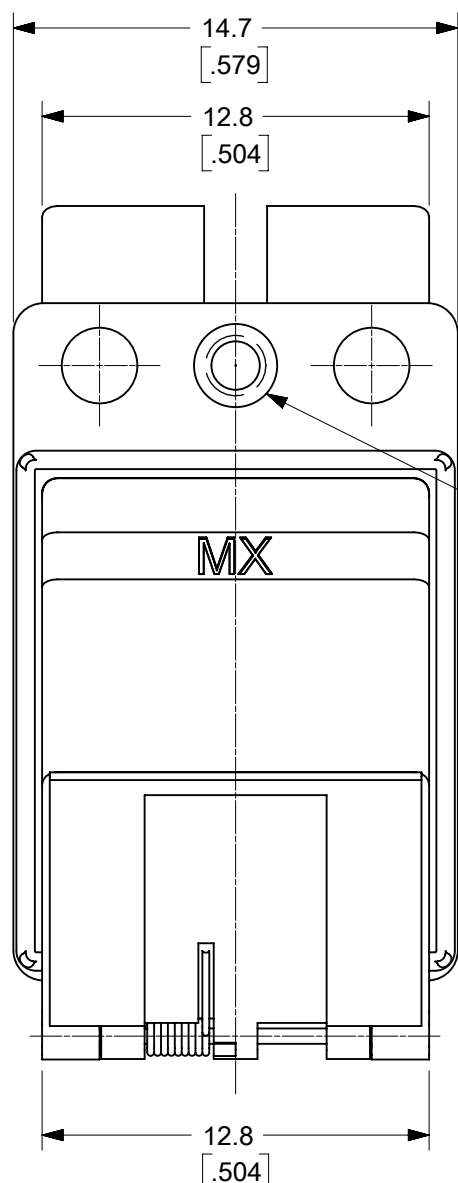
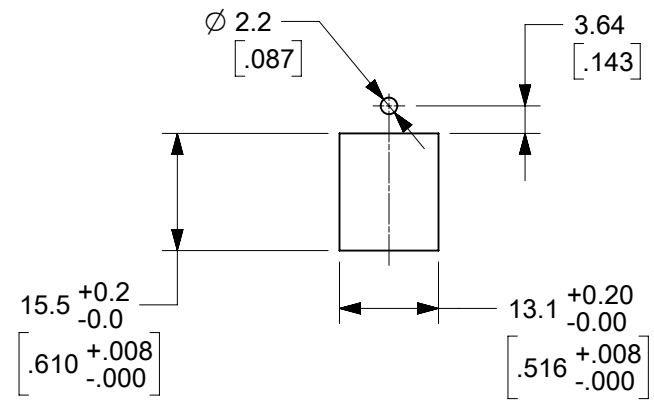


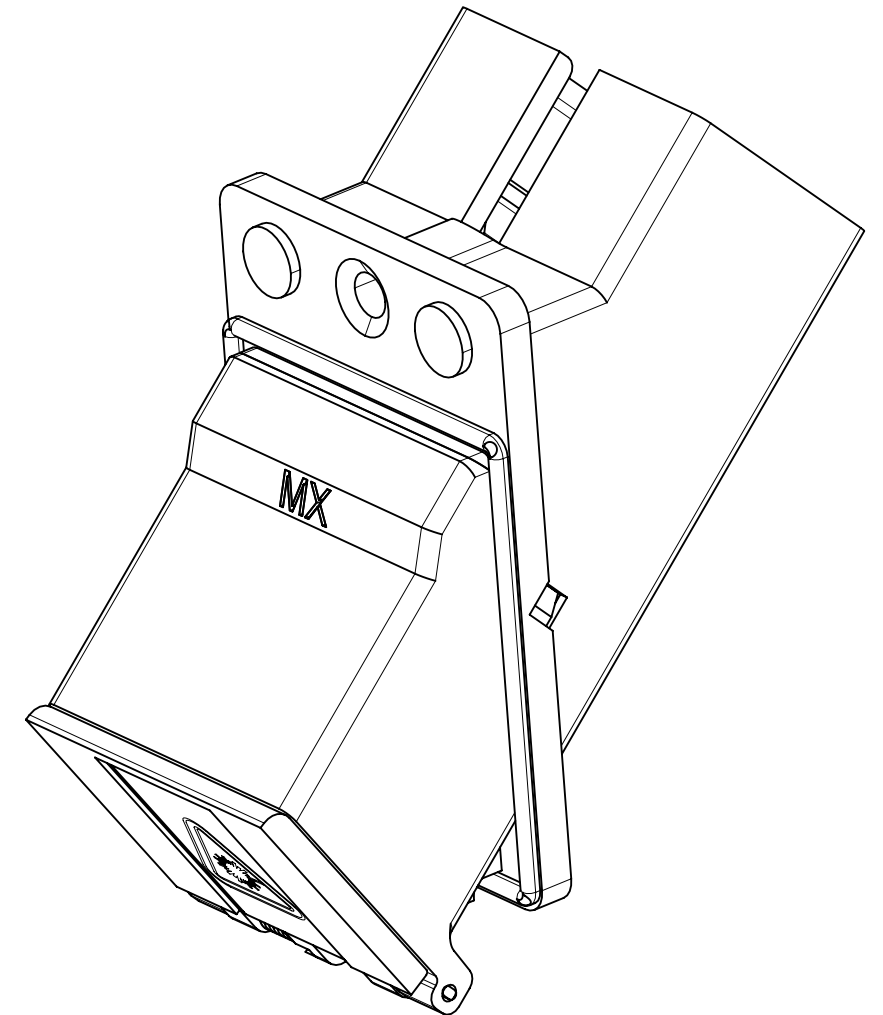
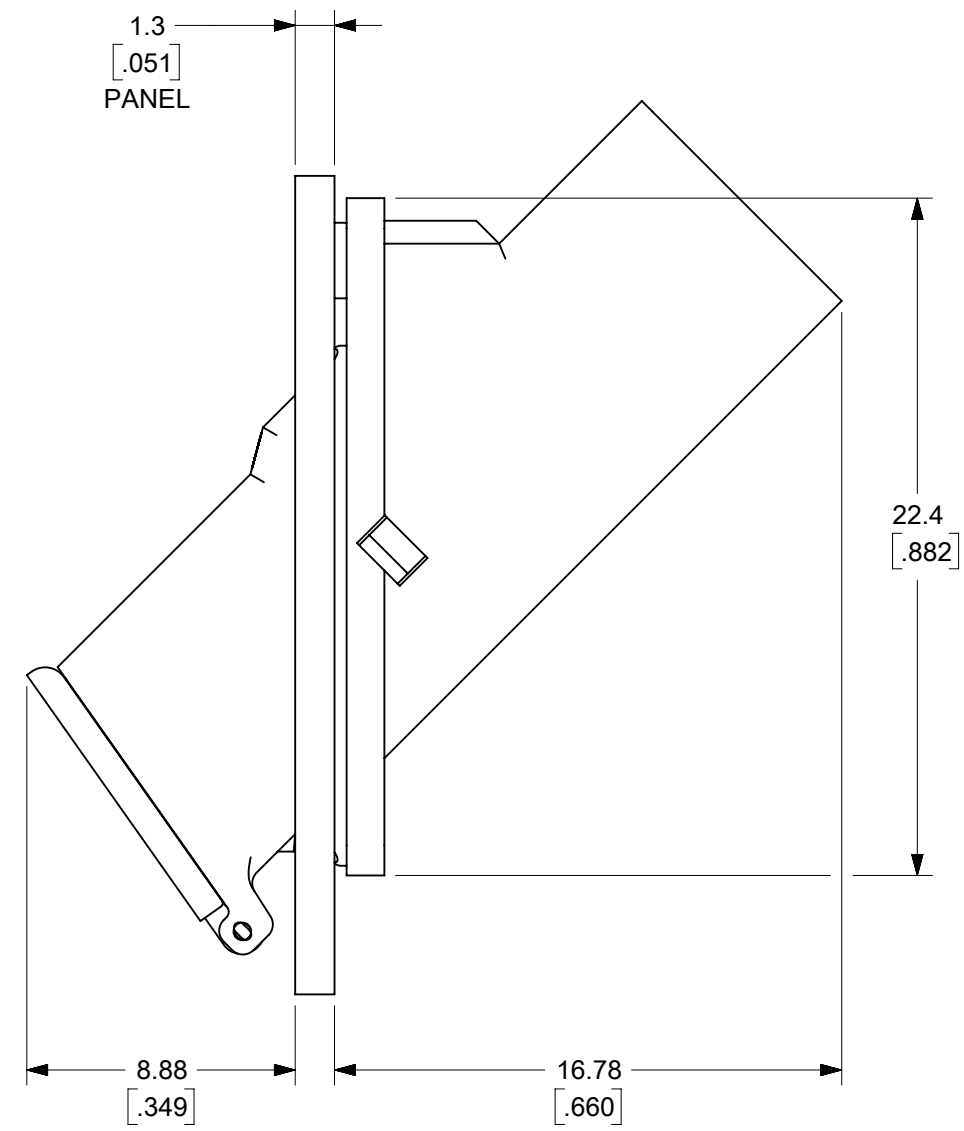
ADAPTER P/N	ADAPTER TYPE	HOUSING COLOR
1061164500	SINGLE MODE	BLUE



M2x0.4  
4mm LONG FLATHEAD  
SCREW RECOMMENDED



PANEL CUTOUT  
SCALE 1:1



NOTE:  
ALL DIMENSIONS ARE FOR REFERENCE ONLY

THIS DRAWING CONTAINS INFORMATION THAT IS PROPRIETARY TO MOLEX ELECTRONIC TECHNOLOGIES, LLC AND SHOULD NOT BE USED WITHOUT WRITTEN PERMISSION									
DIMENSION UNITS		SCALE		CURRENT REV DESC: OBSOLETE PART NUMBER				<b>molex</b>	
MM/IN		4:1							
GENERAL TOLERANCES (UNLESS SPECIFIED)									
	MM	INCH							
4 PLACES	±	±							
3 PLACES	±	±							
2 PLACES	±	±							
1 PLACE	±	±							
0 PLACES	±	±							
ANGULAR TOL		± 1.0°							
DRAFT WHERE APPLICABLE MUST REMAIN WITHIN DIMENSIONS		THIRD ANGLE PROJECTION		DRAWING		SERIES		MATERIAL NUMBER	
				B-SIZE		106116		SEE TABLE	
				DRWN: RPRABHUM		2021/01/13		PRODUCT CUSTOMER DRAWING	
				CHK'D: GGA		2021/03/15			
				APPR: GGA		2021/03/15		DOCUMENT NUMBER	
				INITIAL REVISION:					
				DRWN: SERNST		2006/06/23		SD-106116-4500	
				APPR: SMIGO		2006/07/12			
								DOC TYPE	
								PSD	
								DOC PART	
								001	
								REVISION	
								A5	
								CUSTOMER	
								GENERAL MARKET	
								SHEET NUMBER	
								1 OF 1	

DOCUMENT STATUS	P1	RELEASE DATE	2021/03/15	11:28:42
-----------------	----	--------------	------------	----------