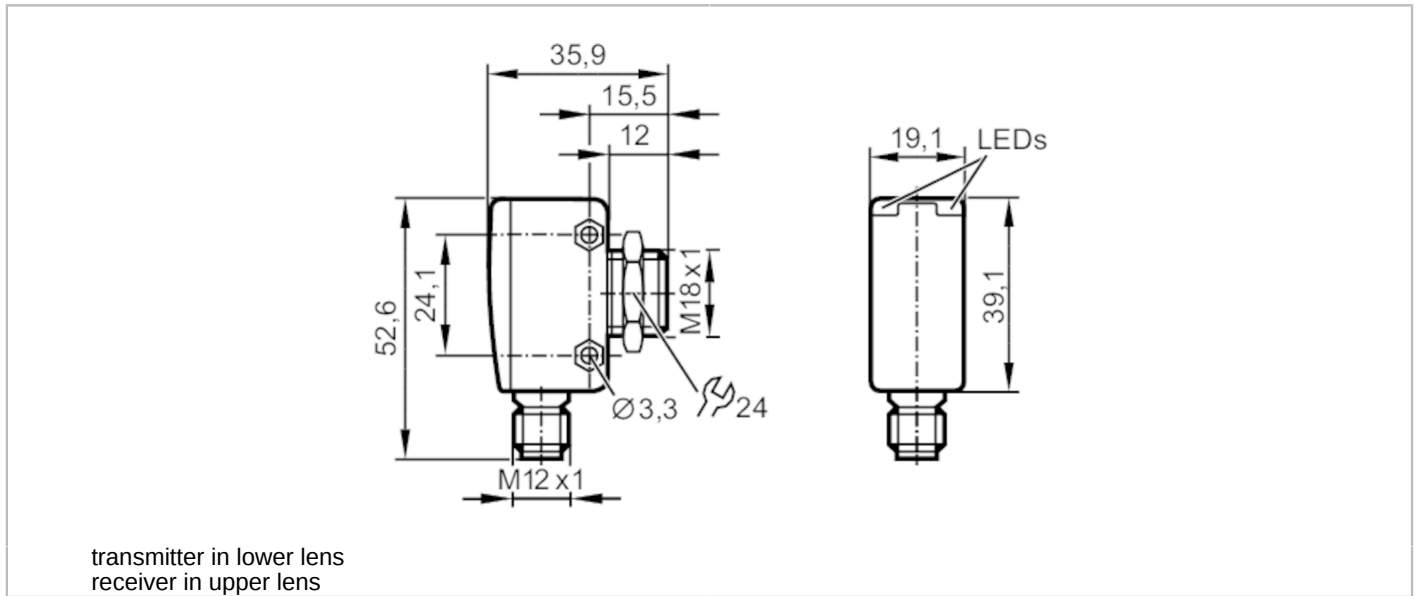




Diffuse reflection sensor with background suppression

OGH-HNKG/US/CUBE/100MM



Product characteristics	
Type of light	red light
Housing	rectangular with M18 thread
Application	
Special feature	Background suppression
Function principle	Diffuse reflection sensor
Electrical data	
Operating voltage [V]	10...30 DC
Current consumption [mA]	25
Protection class	III
Reverse polarity protection	yes
Type of light	red light
Wave length [nm]	645
Outputs	
Electrical design	NPN
Output function	light-on mode
Max. voltage drop switching output DC [V]	2.5
Permanent current rating of switching output DC [mA]	200
Switching frequency DC [Hz]	1000
Short-circuit protection	yes
Type of short-circuit protection	pulsed
Overload protection	yes
Detection zone	
Range [mm]	< 100; (white paper 200 x 200 mm 90% remission)



Diffuse reflection sensor with background suppression

OGH-HNKG/US/CUBE/100MM

Range on white object (90 % remission) [mm]	< 100
Range on grey object (18 % remission) [mm]	< 100
Range on black object (6 % remission) [mm]	< 100
Range adjustable	no
Max. light spot diameter [mm]	7
Light spot dimensions refer to	at maximum range
Background suppression available	yes

Interfaces

Communication interface	IO-Link	
Transmission type	COM2 (38,4 kBaud)	
IO-Link revision	1.1	
SDCI standard	IEC 61131-9	
Profiles	Smart Sensor: Device Identification; Device Diagnosis; Teach Channel; Switching Channel	
SIO mode	yes	
Required master port type	A	
Min. process cycle time [ms]	10	
IO-Link process data (cyclical)	function	bit length
	process value	16
	device status	4
	binary switching information	1
IO-Link functions (acyclical)	application specific tag; operating hours counter; switching cycles counter	
Supported DeviceIDs	Type of operation	DeviceID
	Default	1138
Note	For further information please see the IODD PDF file under "Downloads"	

Operating conditions

Ambient temperature [°C]	-25...60
Storage temperature [°C]	-40...60
Protection	IP 65; IP 67

Tests / approvals

EMC	EN 60947-5-2	
MTTF [years]	782	
UL approval	Ta	-25...60 °C
	Enclosure type	Type 1
	power supply	Class 2
	File number UL	E174191

Mechanical data

Weight [g]	60
Housing	rectangular with M18 thread
Dimensions [mm]	52.6 x 19.1 x 35.9
Thread designation	M18 x 1
Materials	diecast zinc; PEI
Lens material	PEI



Diffuse reflection sensor with background suppression

OGH-HNKG/US/CUBE/100MM

Lens alignment side lens

Displays / operating elements

Display	switching status	1 x LED, yellow
	operation	1 x LED, green

Accessories

Items supplied lock nut: 1 x

Remarks

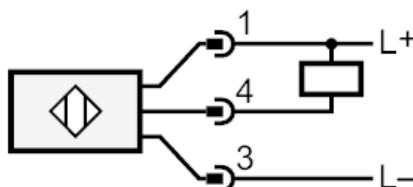
Pack quantity 1 pcs.

Electrical connection

Connector: 1 x M12; coding: A



Connection



4 OUT / IO-Link

OGH282



Diffuse reflection sensor with background suppression

OGH-HNKG/US/CUBE/100MM

Other data

Repeatability / precision: 6 σ

	repeatability of the measured values	
Abstand	white (90 % remission)	black (6 %...90 % remission)
20 mm	0.5 mm	1.0 mm
50 mm	0.8 mm	2.0 mm
100 mm	1.5 mm	4.5 mm
	accuracy	
Abstand	white (90 % remission)	black (6 %...90 % remission)
20 mm	± 1.5 mm	± 1.8 mm
50 mm	± 3.0 mm	± 3.5 mm
100 mm	± 5.0 mm	± 6.5 mm

The values apply at

Extraneous light on the object	< 10 klx
constant ambient conditions	23 °C / 960 hPa
minimum power-on time in minutes	10