

## SUMMARY



Image is for illustrative purpose only

### # Wires

Coax 1

Series 1S

Termination type

IP rating 50

AWG wire size 0.00 - 0.00

Cable Ø 0.00 - 0.00 mm

Status active

### Download

[Request a quote](#)

[Catalog](#)

## TECHNICAL DETAILS

### Mechanics

Shell Style/Model FTA\*: T-plug with two in line receptacles

Keying

Housing Material Brass (chrome plated [SAE AMS 2460]) shell and collet nut, nickel plated [SAE AMS QQ N 290] brass latch sleeve and mid pieces

Weight 30.01 g

### Performance

Configuration 1S.250 : 1 Coax (50 Ohm)

Insulator T: PTFE

Rated Current 12 Amps

### Specifications

Cable type: RG 178 B/U, RG 196 A/U, RG 188 A/U, RG 316 B/U, RG 174 A/U, HF-2114, RG 122 /U

### Others

Endurance (Shell): 5000 mating cycles

Temp (min / max): -55°C / +250°C

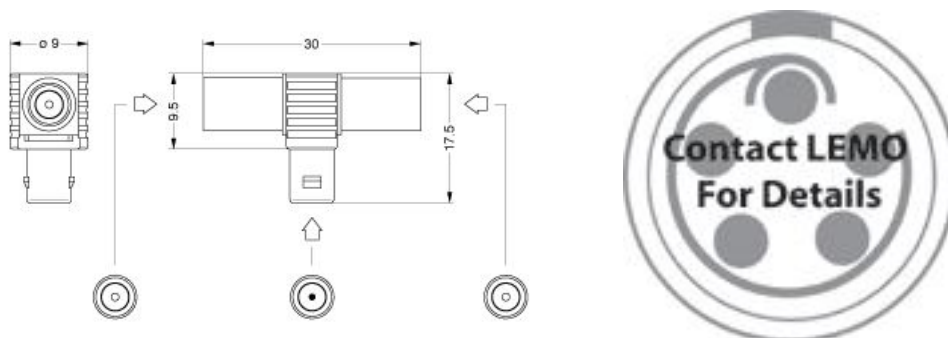
Humidity (max): <=95% [at 60 deg C / 140 F]

Vibration: 15 g [10 Hz - 2000 Hz]

LEMO products and services are provided "as is". LEMO makes no warranties or representations with regard to LEMO product & services or use of them, express, implied or statutory, including for accuracy, completeness, or security. The user is fully responsible for his products and applications using LEMO components.

Shock Resistance: 100 g [ 6 ms]  
Climatical Category: 50/175/21  
Shielding (min): 75 dB (10 MHz)  
Shielding (min): 40 dB (1 GHz)  
Salt Spray Corrosion: >144 hr

## DRAWINGS



### Dimensions

	A	H	I	L
mm.	16	26.5	16.5	45
in.	0,63	1,04	0,65	1,77

## RECOMMENDED BY LEMO

### Tools

*LEMO products and services are provided "as is". LEMO makes no warranties or representations with regard to LEMO product & services or use of them, express, implied or statutory, including for accuracy, completeness, or security. The user is fully responsible for his products and applications using LEMO components.*