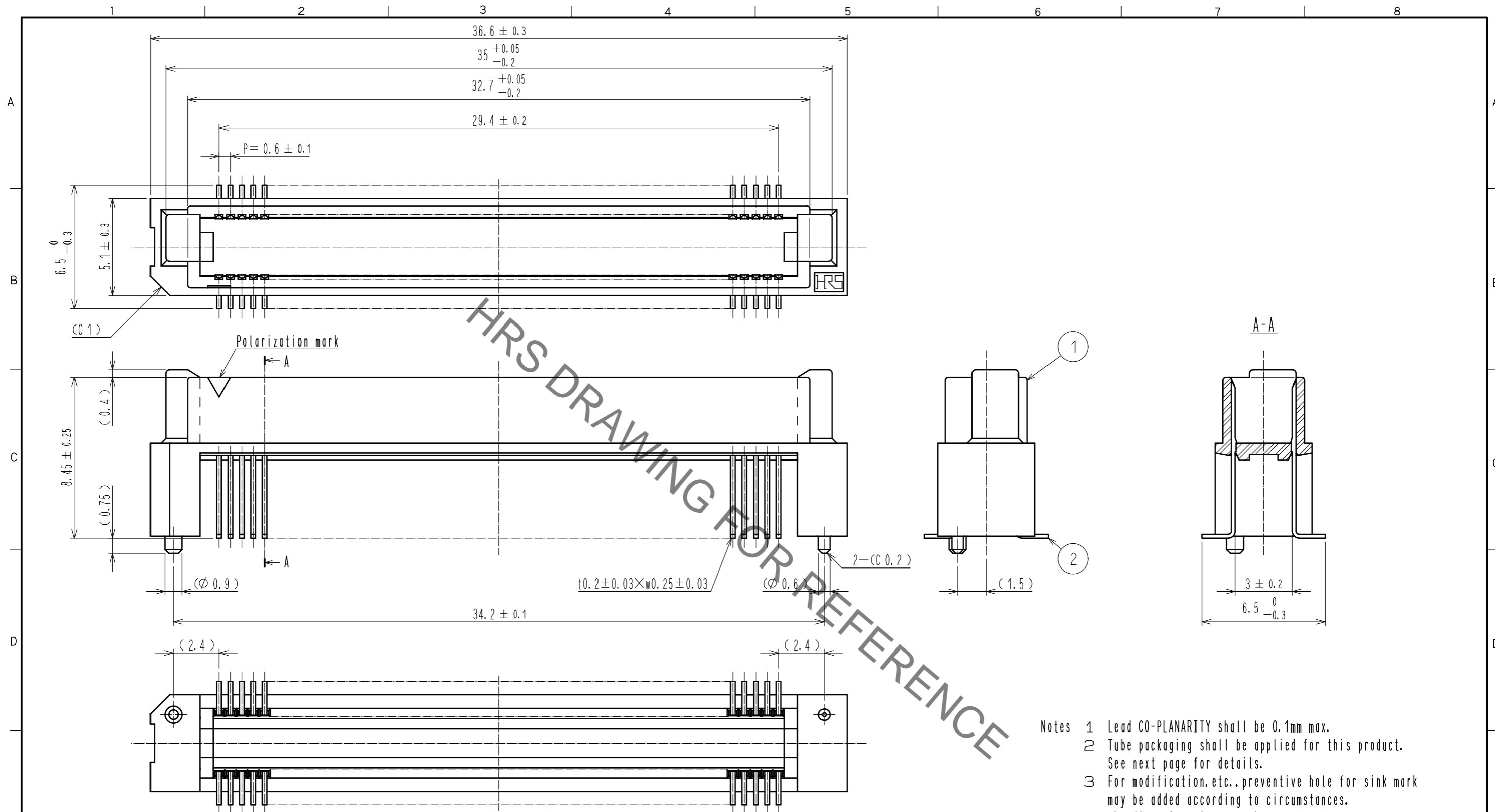
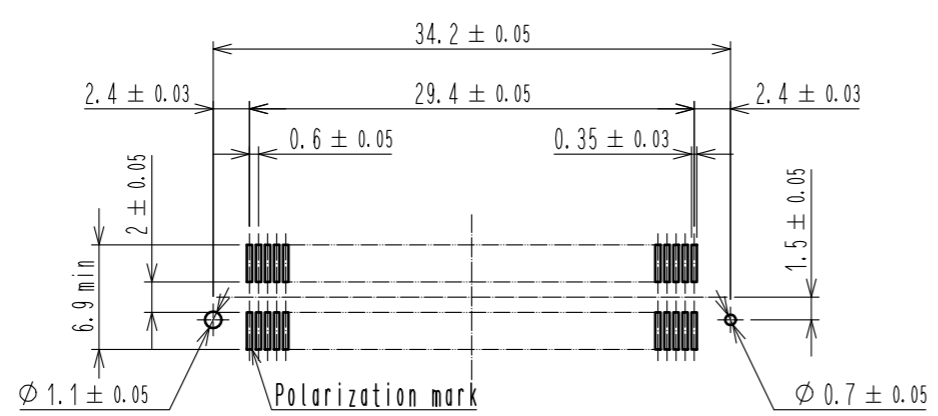


May.1.2023 Copyright 2023 HIROSE ELECTRIC CO., LTD. All Rights Reserved.
In case of consideration for using Automotive equipment / device which demand high reliability, kindly contact our sales window correspondents.



Recommended land pattern dimension of PCB (mounting side) (2:1)

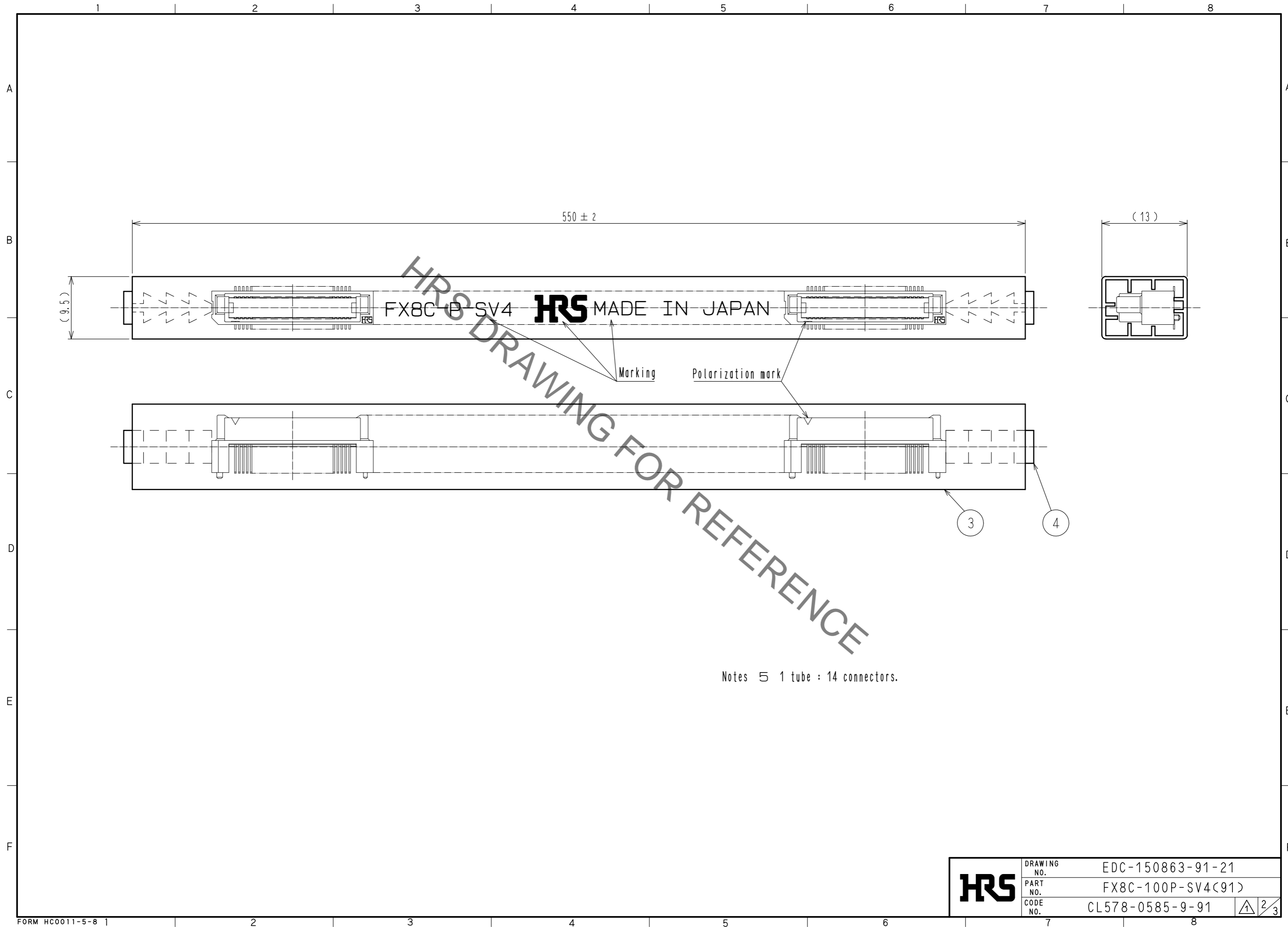


△ Added precaution

- Notes
- 1 Lead CO-PLANARITY shall be 0.1mm max.
 - 2 Tube packaging shall be applied for this product. See next page for details.
 - 3 For modification, etc., preventive hole for sink mark may be added according to circumstances.
 - 4 The dimensions in parentheses are for reference.

2	PHOSPHOR BRONZE	Contact area : Gold 0.1μm min.					
		Lead area : Tin-plating 1μm min.					
		Under plating : Nickel 1μm min.	4	POLYVINYL CHLORIDE	(Stopper)		
1	PPS	Light brown (UL94V-0)	3	POLYVINYL CHLORIDE	(Tube)		
NO.	MATERIAL	FINISH . REMARKS	NO.	MATERIAL	FINISH . REMARKS		
UNITS	∅	SCALE	COUNT	DESCRIPTION OF REVISIONS		DESIGNED	CHECKED
mm		5 : 1	1	DIS-F-00006416		KS. NAKAJIMA	HT. YAMAGUCHI
DATE		20200803		DRAWING NO.		EDC-150863-91-21	
APPROVED : HS. OKAWA		20051212		PART NO.		FX8C-100P-SV4(91)	
CHECKED : HS. OZAWA		20051212		CODE NO.		CL578-0585-9-91	
DESIGNED : KY. NAKAMURA		20051212					
DRAWN : KY. NAKAMURA		20051212					

May.1.2023 Copyright 2023 HIROSE ELECTRIC CO., LTD. All Rights Reserved.
In case of consideration for using Automotive equipment / device which demand high reliability, kindly contact our sales window correspondents.



Notes 5 1 tube : 14 connectors.

HRS	DRAWING NO.	EDC-150863-91-21
	PART NO.	FX8C-100P-SV4(91)
	CODE NO.	CL578-0585-9-91

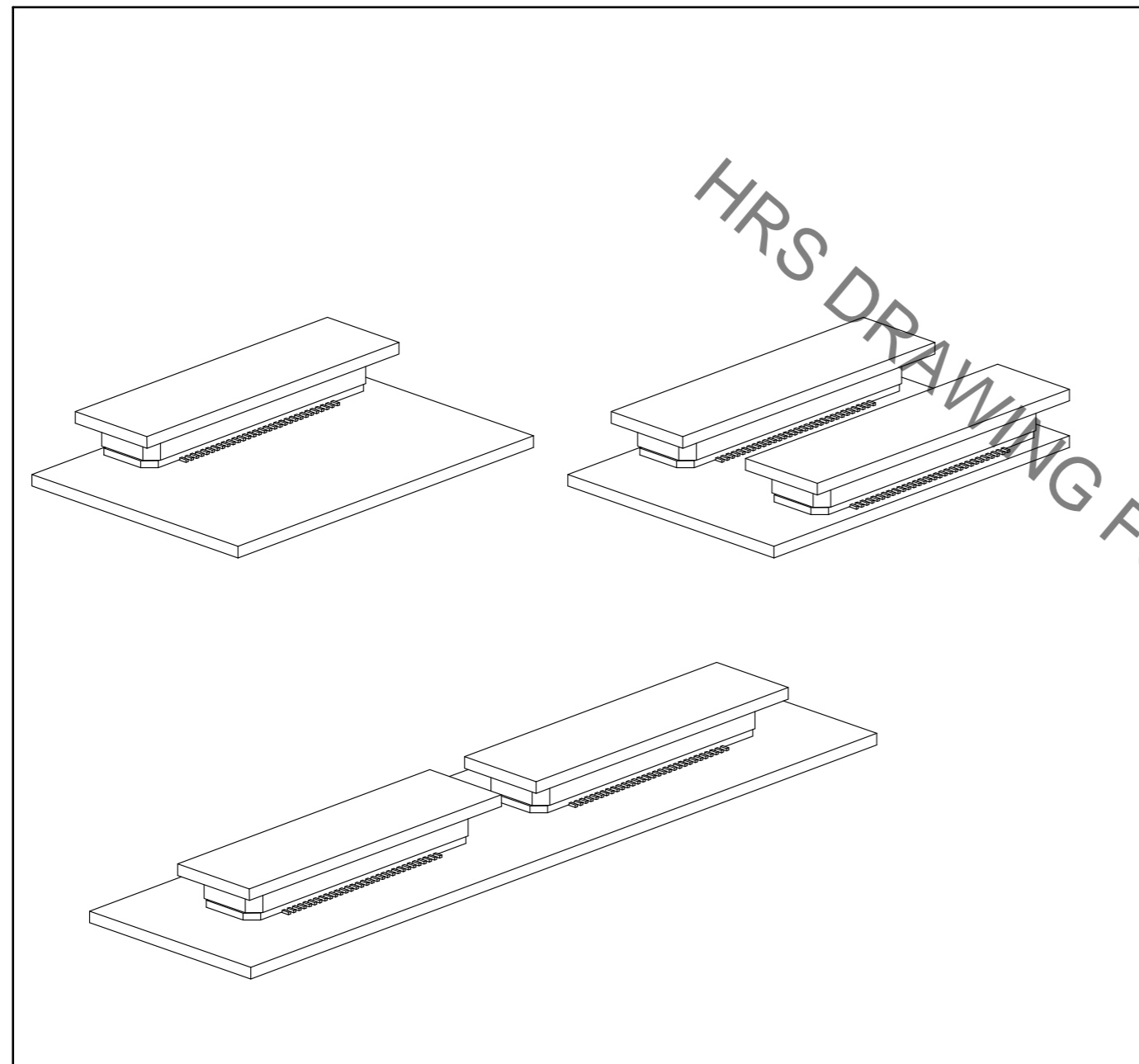
2/3

May.1.2023 Copyright 2023 HIROSE ELECTRIC CO., LTD. All Rights Reserved.
In case of consideration for using Automotive equipment / device which demand high reliability, kindly contact our sales window correspondents.

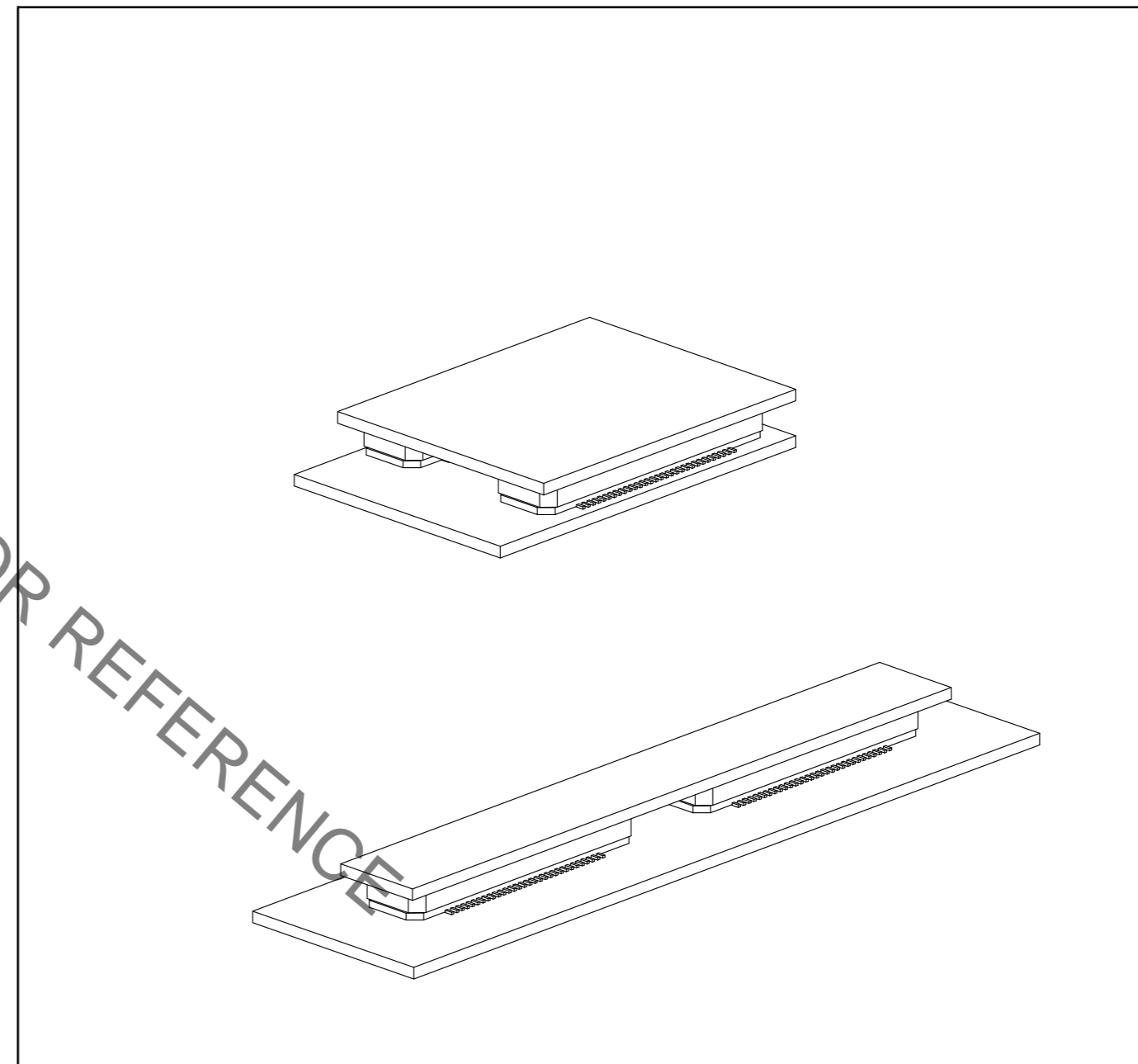
【 Precaution 】

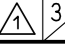
When a board with multiple connectors mounted is mated, the connector may be damaged or deformed.
Please divide one side of the board so only one connector is mated per board.

OK



NG



HRS	DRAWING NO.	EDC-150863-91-21	
	PART NO.	FX8C-100P-SV4(91)	
	CODE NO.	CL578-0585-9-91	