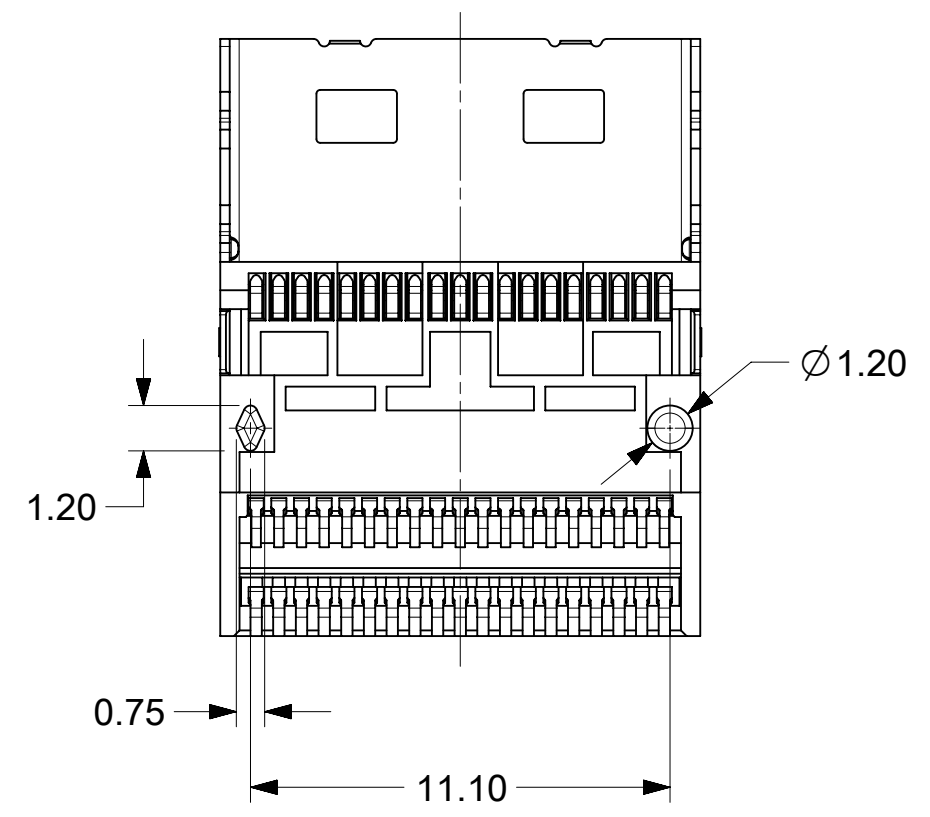
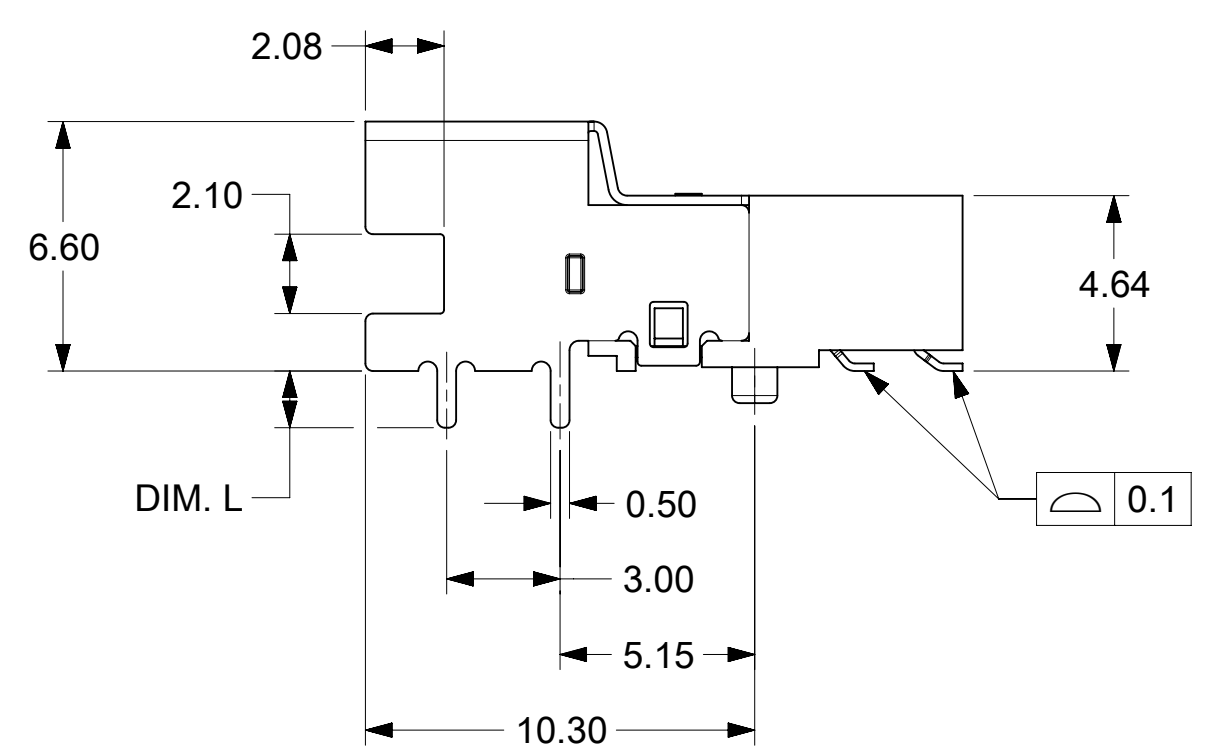
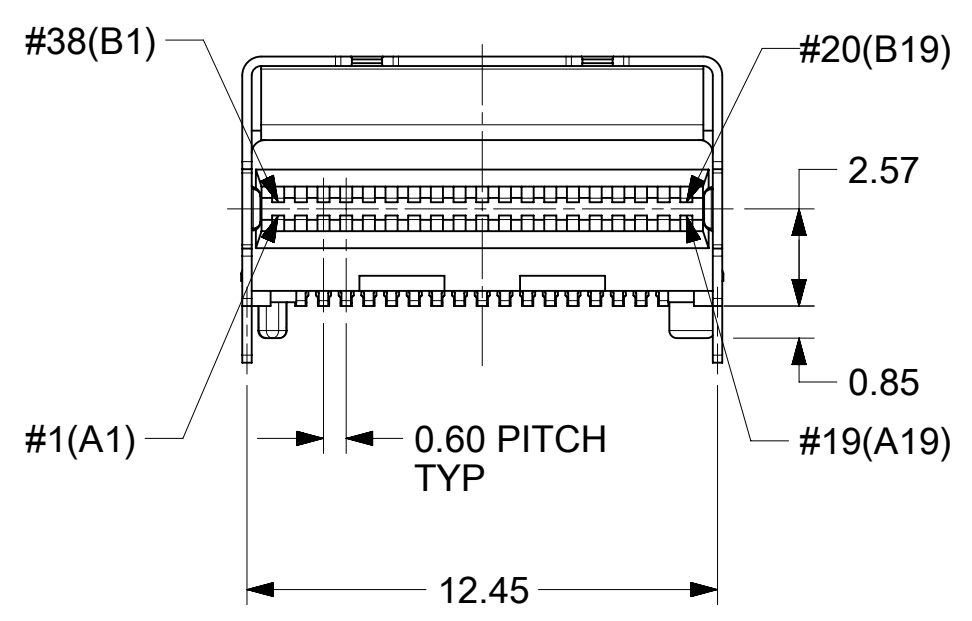
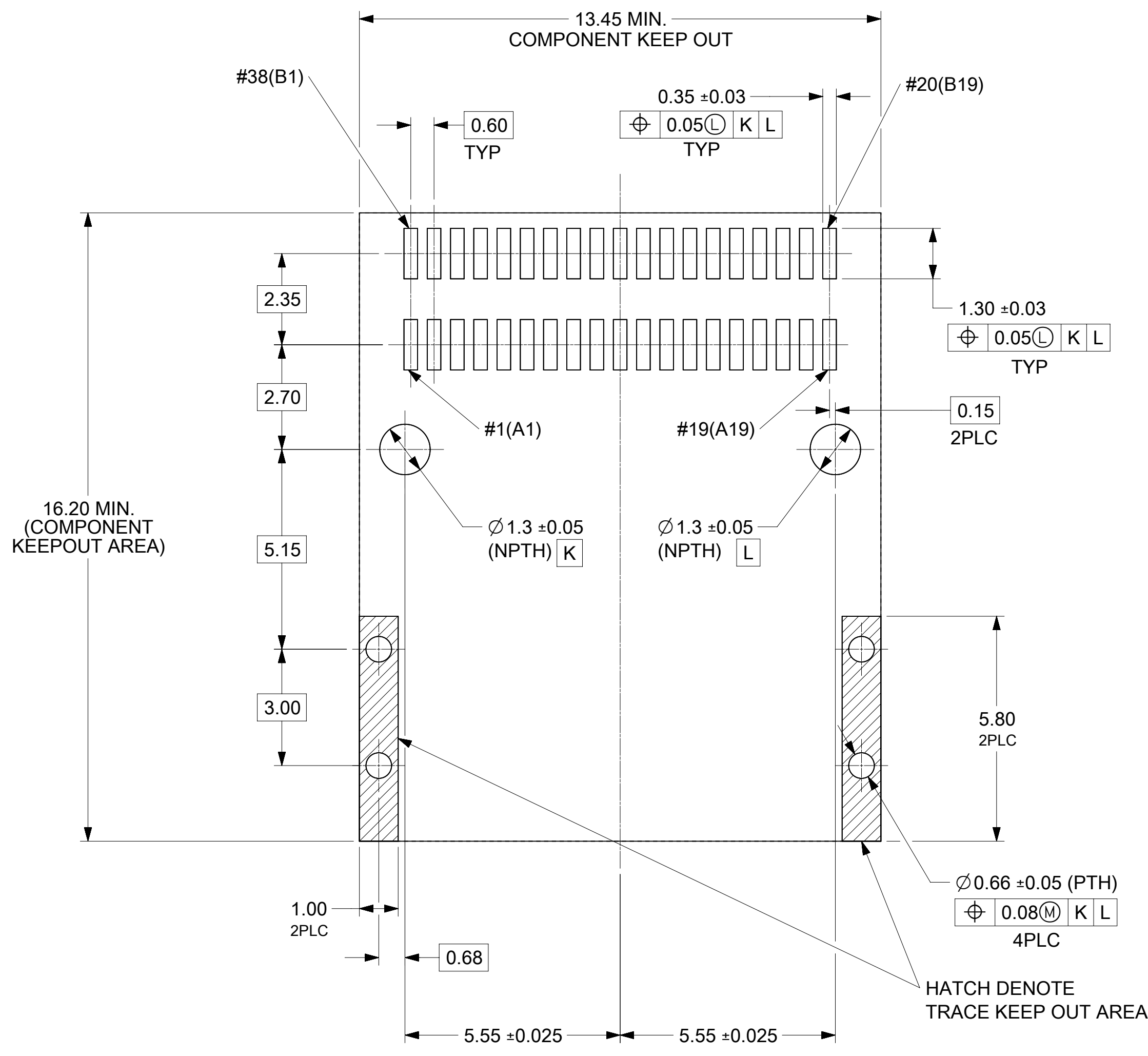


- NOTE:
- MATERIAL:
 - HOUSING : LCP, UL94-V0, BLACK OR NATURAL COLOR
 - INSERT MOLD: LCP, UL94-V0, BLACK COLOR
 - CONTACT: COPPER ALLOY
 - SHELL: NICKEL SILVER
 - FINISH:
 - CONTACT: GOLD PLATING (SEE TABLE) ON CONTACT AREA 100u" MIN. MATTE TIN PLATING ON SOLDER TAIL 50u" MIN. NICKEL UNDER PLATING OVERALL
 - GROUND: 50u" MIN. NICKEL PLATING OVERALL
 - SOLDERTAILS COPLANARITY TO BE 0.1 MAXIMUM.
 - ROHS COMPLIANT



| | | | | |
|-----------|--------------|--------------|------------|-------------|
| NATURAL | 0.375[15u"] | 4.2 | 2119662118 | |
| | | 3.0 | 2119662117 | |
| | | 2.2 | 2119662116 | |
| | 0.75um[30u"] | 1.5 | 2119662115 | |
| | | 4.2 | 2119662114 | |
| | | 3.0 | 2119662113 | |
| BLACK | 0.375[15u"] | 2.2 | 2119662112 | |
| | | 1.5 | 2119662111 | |
| | | 4.2 | 2119662108 | |
| | 0.75um[30u"] | 3.0 | 2119662107 | |
| | | 2.2 | 2119662106 | |
| | | 1.5 | 2119662105 | |
| HSG COLOR | GOLD PLATING | 4.2 | 2119662104 | |
| | | 3.0 | 2119662103 | |
| | | 2.2 | 2119662102 | |
| | | 1.5 | 2119662101 | |
| HSG COLOR | | GOLD PLATING | DIM. L | PART NUMBER |

| | | | | | | |
|--|---|---------|--------|-------------------|--|---------------|
| FUNCTIONAL SYMBOLS $\nabla_A = 0$ $\nabla_C = 0$ $\nabla_P = 0$ DIVISIONAL SYMBOLS | THIS DRAWING CONTAINS INFORMATION THAT IS PROPRIETARY TO MOLEX ELECTRONIC TECHNOLOGIES, LLC AND SHOULD NOT BE USED WITHOUT WRITTEN PERMISSION | SCALE | 5:1 | CURRENT REV DESC: | molex SLIMSAS 4X RIGHT ANGLE RECEPTACLE CONNECTOR, 85OHM PRODUCT CUSTOMER DRAWING | |
| | DIMENSION UNITS | mm | | | | EC NO: 690306 |
| | GENERAL TOLERANCES (UNLESS SPECIFIED) | | | | | DRWN: ETSENG |
| | ANGULAR TOL | ± | ° | | | 2021/12/27 |
| | 4 PLACES | ± | | CHK'D: ETSENG | 2021/12/30 | |
| | 3 PLACES | ± | 0.15 | APPR: VPENG01 | 2021/12/30 | |
| | 2 PLACES | ± | 0.25 | INITIAL REVISION: | | |
| | 1 PLACE | ± | 0.35 | DRWN: SHOU | 2019/11/15 | |
| | 0 PLACES | ± | | APPR: ETSENG | 2020/03/23 | |
| DRAFT WHERE APPLICABLE MUST REMAIN WITHIN DIMENSIONS | THIRD ANGLE PROJECTION | DRAWING | C-SIZE | SERIES | 211966 | |
| | | | | MATERIAL NUMBER | SEE TABLE | |
| | | | | CUSTOMER | | |
| | | | | SHEET NUMBER | 1 OF 2 | |



| | | | | | |
|---|---|----------------------|---|------------------------------|---|
| FUNCTIONAL SYMBOLS $\nabla_A = 0$ $\nabla_C = 0$ $\nabla_P = 0$ | THIS DRAWING CONTAINS INFORMATION THAT IS PROPRIETARY TO MOLEX ELECTRONIC TECHNOLOGIES, LLC AND SHOULD NOT BE USED WITHOUT WRITTEN PERMISSION | | CURRENT REV DESC: EC NO: 690306 DRWN: ETSENG CHK'D: ETSENG APPR: VPENG01 | | |
| | DIMENSION UNITS mm | SCALE 10:1 | 2021/12/27 2021/12/30 2021/12/30 | | |
| DIVISIONAL SYMBOLS 4 PLACES ± 3 PLACES ± 0.15 2 PLACES ± 0.25 1 PLACE ± 0.35 0 PLACES ± | GENERAL TOLERANCES (UNLESS SPECIFIED) ANGULAR TOL ± ° | | INITIAL REVISION: DRWN: SHOU APPR: ETSENG | | PRODUCT CUSTOMER DRAWING |
| DRAFT WHERE APPLICABLE MUST REMAIN WITHIN DIMENSIONS | THIRD ANGLE PROJECTION | DRAWING | SERIES | MATERIAL NUMBER SEE TABLE | DOC TYPE DOC PART REVISION PSD 000 D |
| DOCUMENT STATUS P1 | RELEASE DATE 2021/12/30 10:26:06 | C-SIZE | SHEET NUMBER 211966 | CUSTOMER | SHEET NUMBER 2 OF 2 |