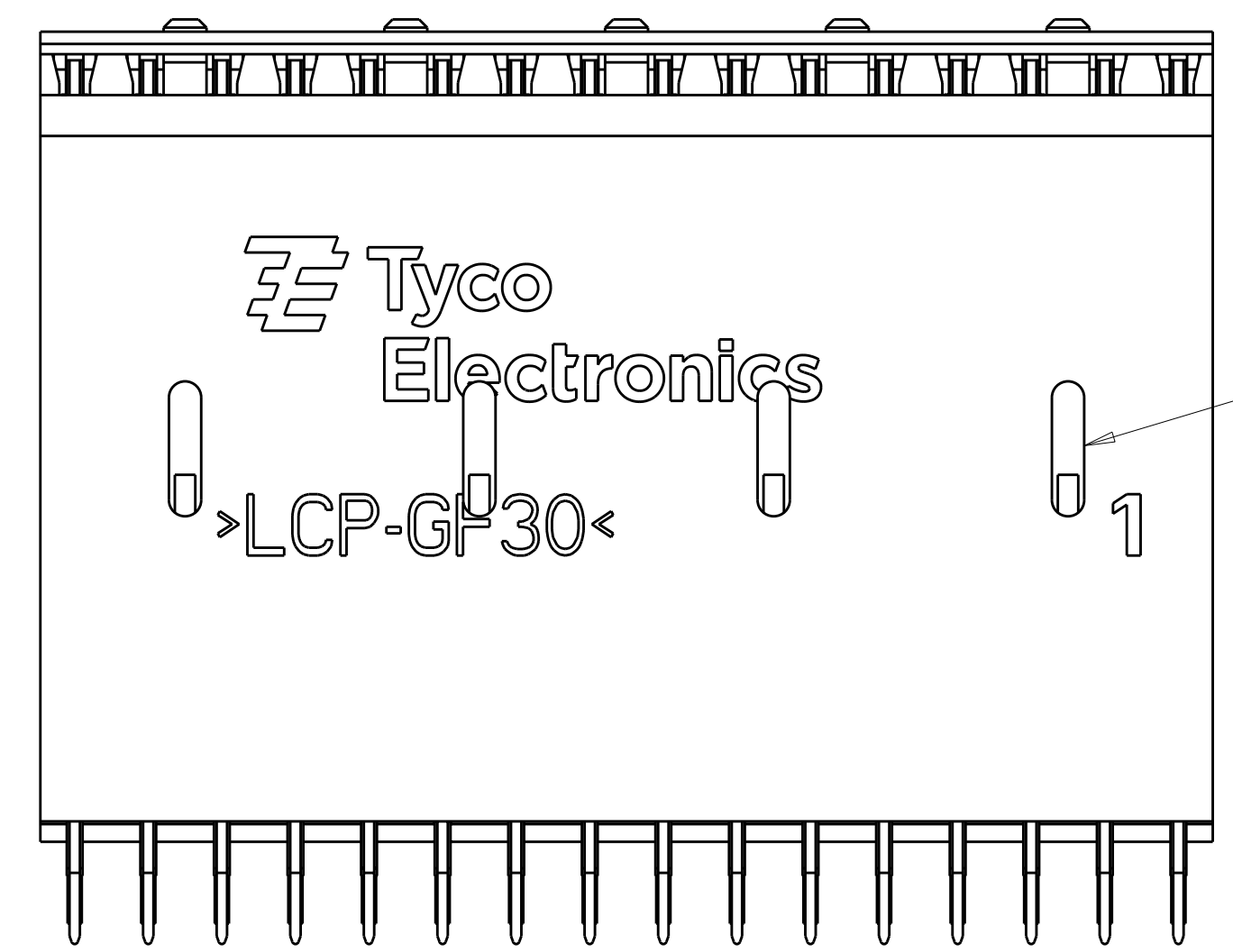
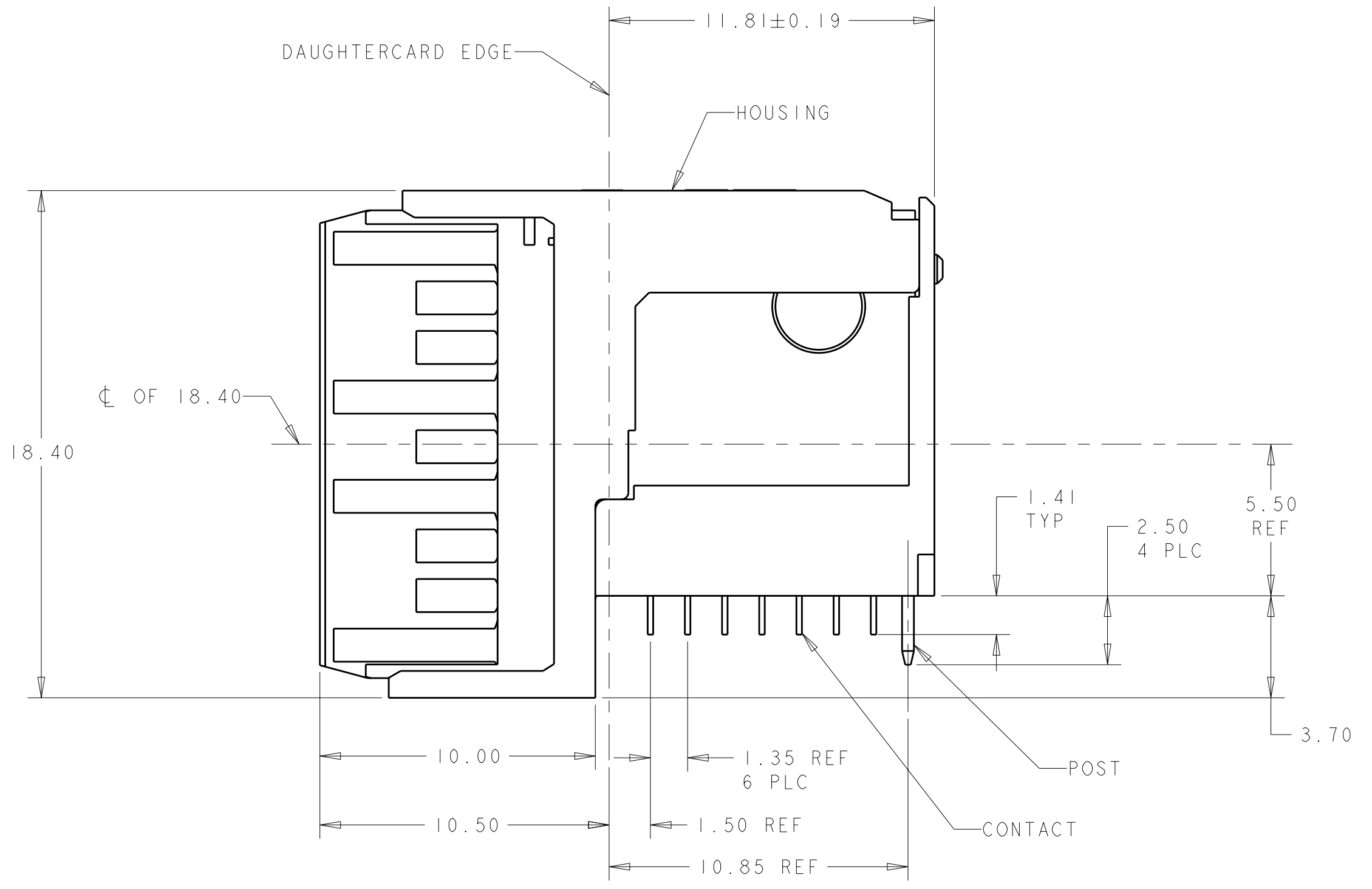
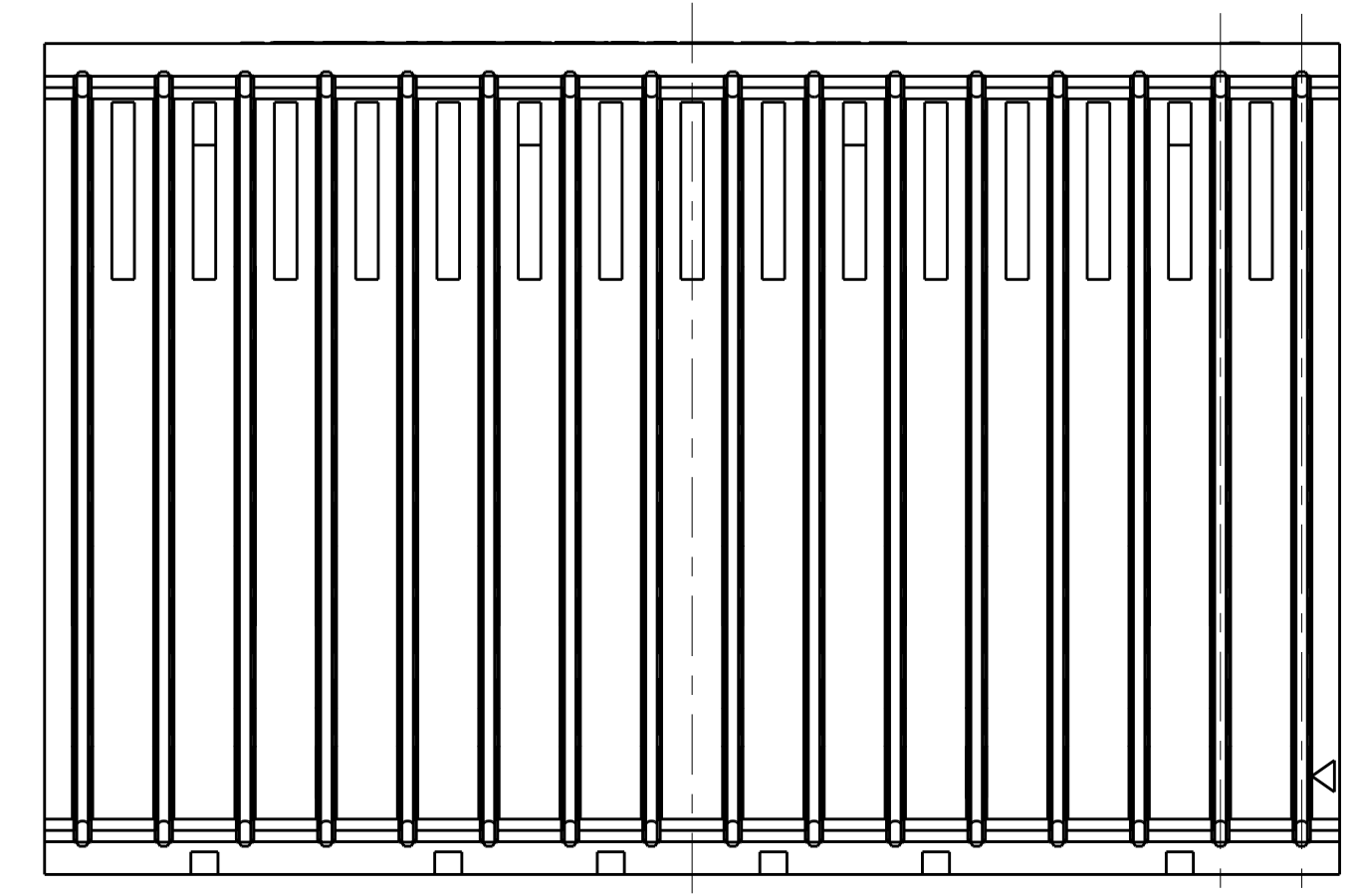


LOC	DIST	REV	DATE	BY	APP'D
DF	A5	1	05AUG2009	MM	



SLOTS FOR RECEIVING SHIELD RETENTION LEGS

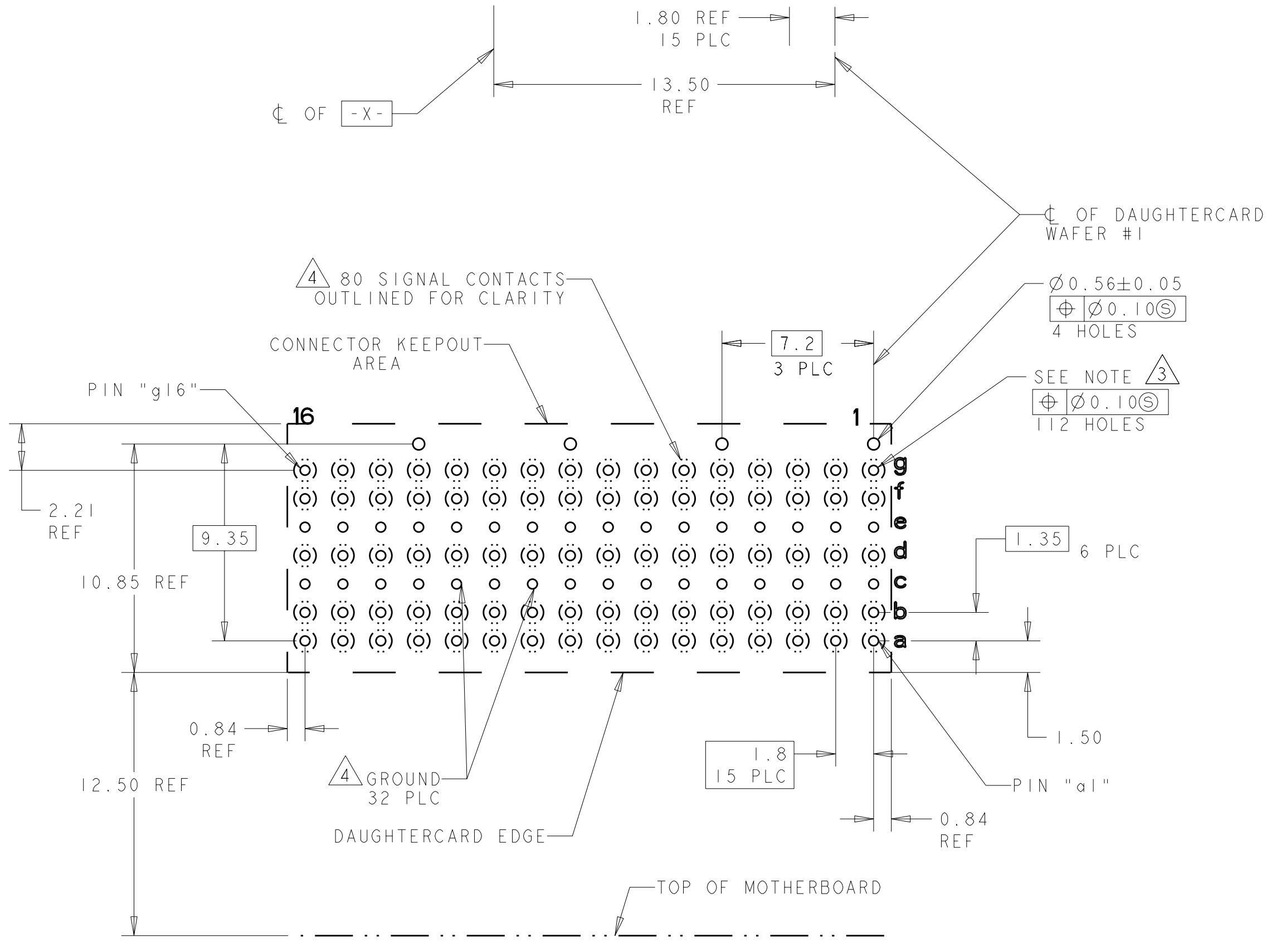


- 1 HOUSING: LCP, UL94V0, COLOR: BLACK.
CONTACT: PHOSPHOR BRONZE.
POST: BRASS WIRE
- 2 CONTACT: 1.27µm MIN GOLD IN PAD CONTACT AREA.
1.27µm MIN TIN-LEAD ON PCB TAIL
OVER 1.27µm MIN NICKEL OVER ALL.
POST 1.27µm MIN NICKEL PLATED.
- 3 MANUFACTURING TOLERANCE FOR Ø0.46± 0.05
DIAMETER FINISHED HOLE WITH SnPB PLATING:
DRILLED HOLE = Ø0.55±0.02
COPPER PLATING = 0.025-0.050
Sn PB PLATING = 0.0038-0.0124
OR MANUFACTURING TOLERANCE FOR Ø0.475± 0.05
DIAMETER FINISHED HOLE WITHOUT SnPB PLATING:
DRILLED HOLE = Ø0.55±0.02
COPPER PLATING = 0.025-0.050
- 4 SEE TABLE 1 FOR INTERCONNECTIONS TO
BACKPLANE CONNECTOR.

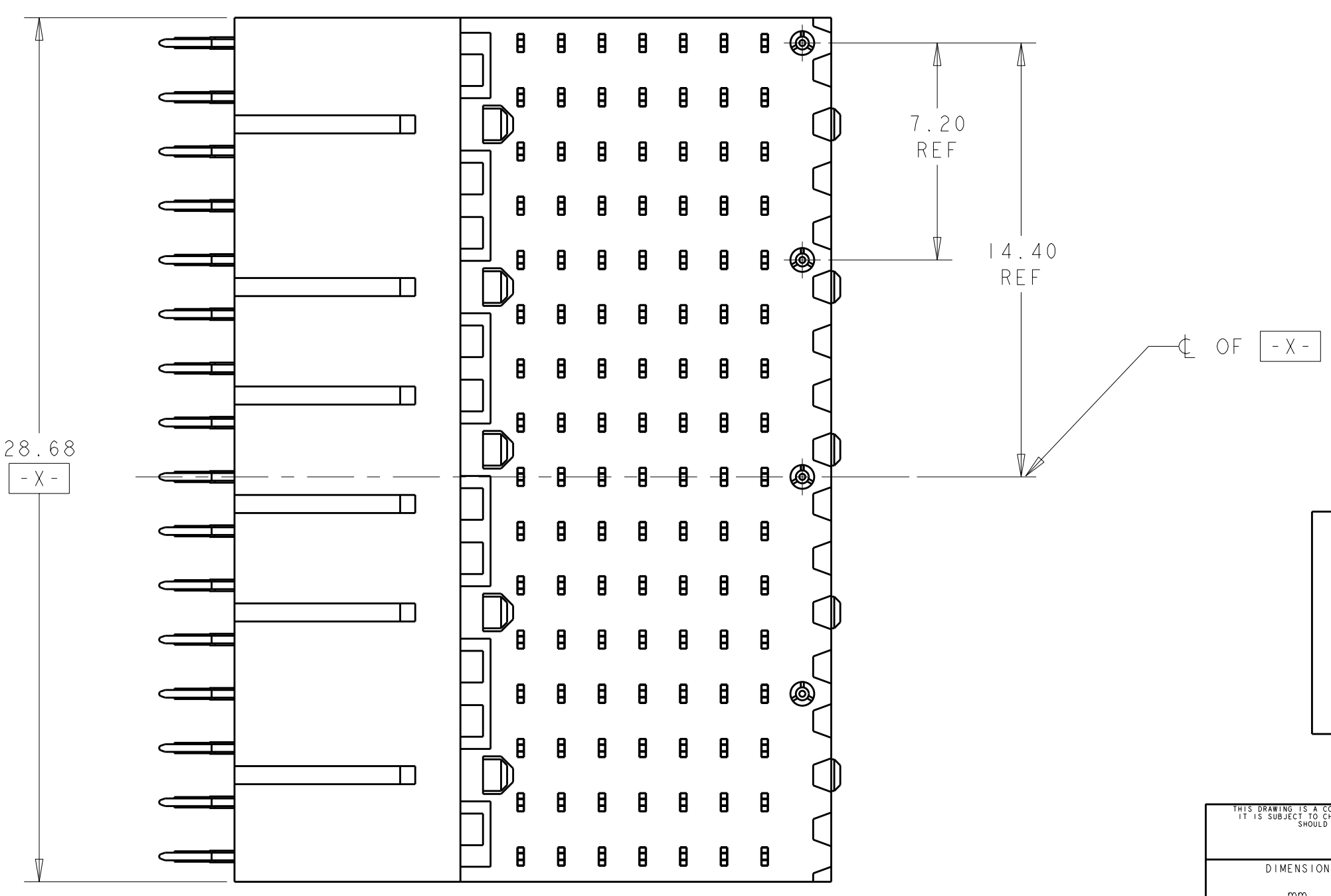
TABLE 1
INTERCONNECTIONS WITH BACKPLANE CONNECTOR 1410140

TYPICAL INTERCONNECTIONS FOR EACH COLUMN (WAFER): 1-16		
CONTACT USAGE	DAUGHTERCARD CONNECTOR PIN	BACKPLANE CONNECTOR PIN
SIGNAL	ax	bx
SIGNAL	bx	cx
SIGNAL	dx	ex
SIGNAL	fx	gx
SIGNAL	gx	hx
GROUND	cx, ex, (ALL COMMONED)	ax, dx, fx, ix

NOTE: "x" DESIGNATES THE COLUMN NUMBER



PC BOARD LAYOUT (CONNECTOR SIDE)
SEE SHEET 2 FOR RTM
SCALE 5:1



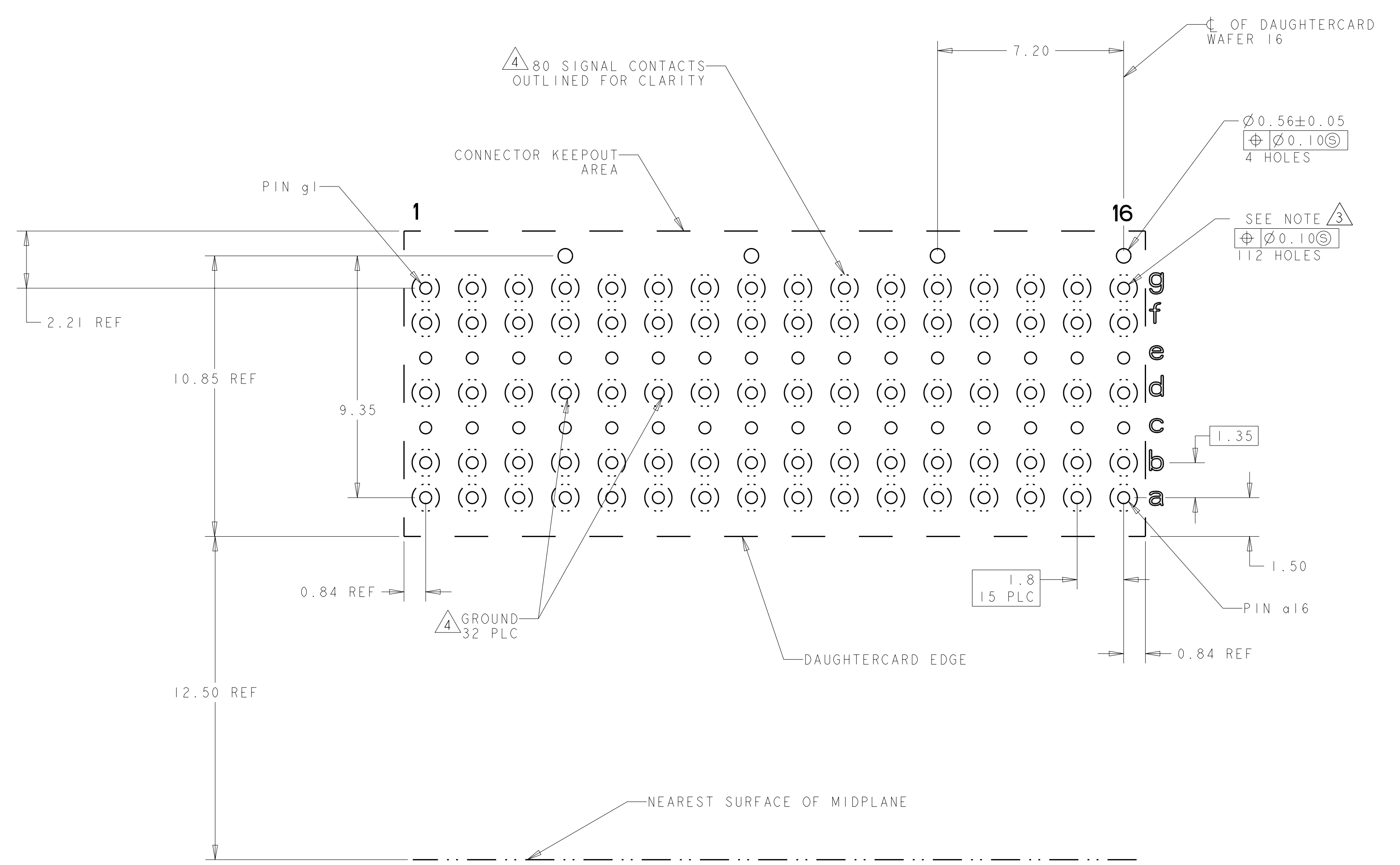
THIS PRINT IS
PRELIMINARY
UNQUALIFIED PRODUCT
CONTACT PRODUCT ENGINEERING
BEFORE USING THIS PRINT

DIMENSIONS: mm		TOLERANCES UNLESS OTHERWISE SPECIFIED:		DWN: 05AUG2009 BY: Brent D. Toth CHK: M.R. MCALONIS APP'D: M.R. MCALONIS		Tyco Electronics Harrisburg, PA 17105-3608	
9 PLC	±	0.5		PRODUCT SPEC	108-2072	NAME	RIGHT-ANGLE PLUG ASSEMBLY, 7 ROW, CENTER, 20.3mm, SINGLE ENDED, MULTIGIG
5 PLC	±	0.13		APPLICATION SPEC	114-13056	SIZE	RT2 MGX, DAUGHTERCARD CONN, VITA 46
4 PLC	±			ANGLES		WEIGHT	
MATERIAL	SEE TABLE	FINISH	SEE TABLE	REVISIONS	1	SCALE	5:1
				CUSTOMER DRAWING	00779	REV	1

THIS PRODUCT HAS NOT COMPLETED VALIDATION TESTING

LOC	DIST	REV	DATE	BY	APPD
DF	A5	1			

REAR TRANSITION MODULE APPLICATION



PC BOARD REAR TRANSITION MODULE
 SCALE 8:1

THIS PRODUCT HAS NOT COMPLETED VALIDATION TESTING

THIS PRINT IS
PRELIMINARY
 UNQUALIFIED PRODUCT
 CONTACT PRODUCT ENGINEERING
 BEFORE USING THIS PRINT

DIMENSIONS:		TOLERANCES UNLESS OTHERWISE SPECIFIED:		MATERIAL:		FINISH:		MATERIAL:		FINISH:		MATERIAL:		FINISH:	
mm		9 PLC	±												
		1 PLC	±0.5												
		2 PLC	±0.13												
		3 PLC	±												
		4 PLC	±												
		ANGLES	±1°												
		SEE TABLE													

DATE	05AUG2009	DWN	Brent D. Toth
CHK	M.R. MCALONIS	3SEP2009	
APVD	M.R. MCALONIS	3SEP2009	
PRODUCT SPEC	108-2072	APPLICATION SPEC	114-13056
SIZE	A1	CAGE CODE	00779
DRAWING NO	C=2000878	SCALE	5:1
RESTRICTED TO		SHEET	2 OF 2
		REV	1