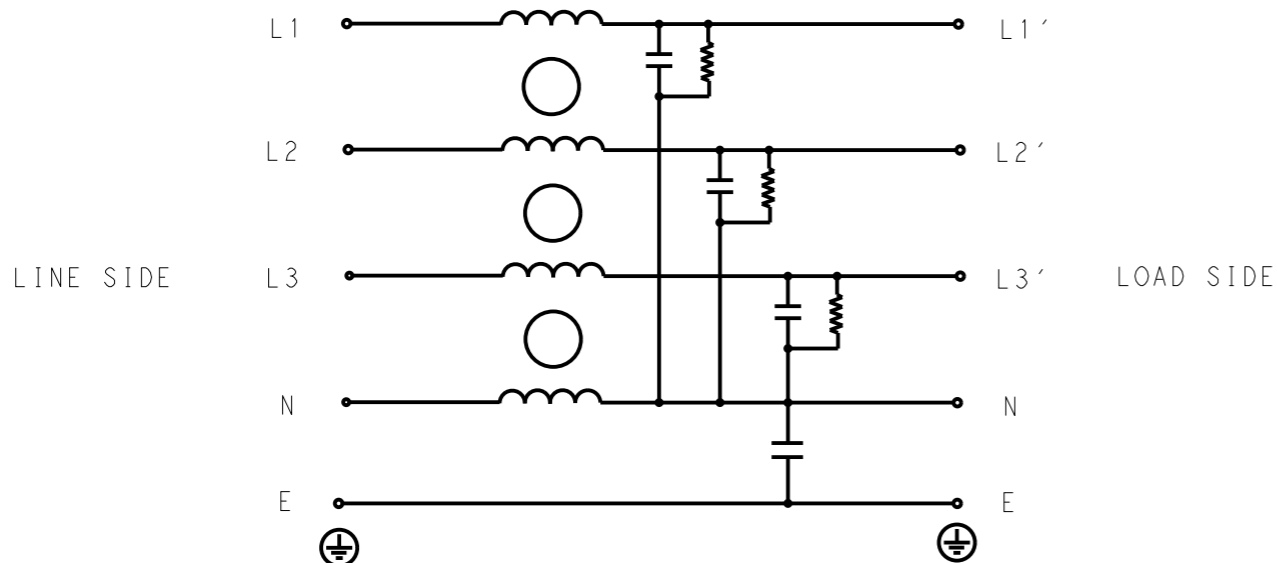


REVISIONS

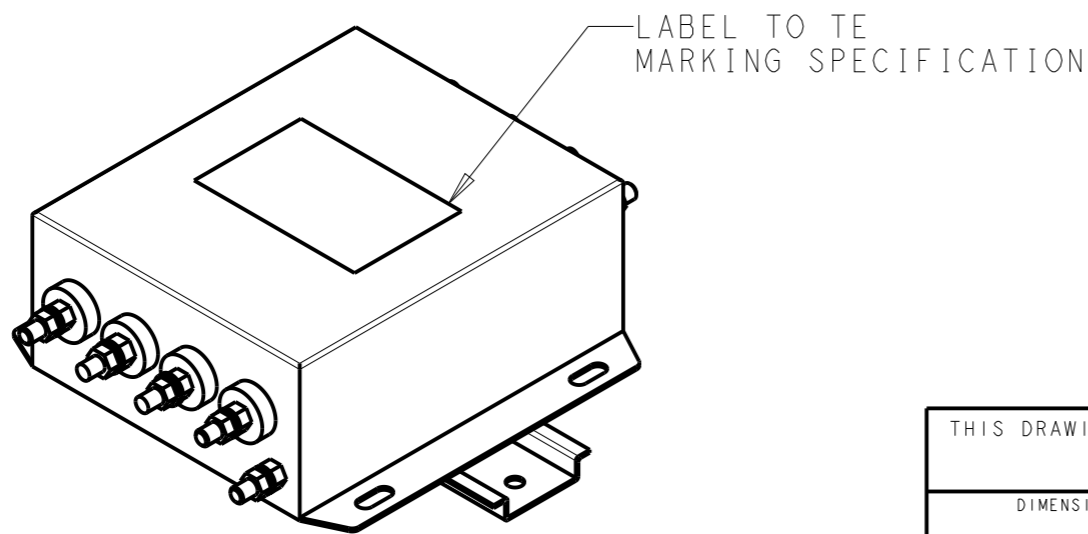
| P | LTR | DESCRIPTION | DATE | DWN | APVD |
|---|-----|-----------------|-----------|-----|------|
| | A | INITIAL RELEASE | 14APR2021 | SR | CB |
| | | | | | |
| | | | | | |



SCHEMATIC

TYPICAL INSERTION LOSS
COMMON MODE 50/50Ω; DIFFERENTIAL MODE 50/50Ω

| MHz | 0.01 | 0.05 | 0.15 | 0.5 | 1 | 3 | 5 | 10 | 30 |
|-----|------|------|------|-----|----|----|----|----|----|
| CM | 4 | 4 | 11 | 24 | 32 | 42 | 48 | 34 | 20 |
| DM | 14 | 20 | 28 | 42 | 50 | 30 | 26 | 20 | 22 |



SAFETY ORGANIZATIONS

THIS FILTER WILL BE FORMALLY RECOGNIZED, CERTIFIED OR APPROVED BY THE LISTED AGENCY. THEREFORE, ALL TEST/REQUIREMENTS SPECIFIED IN THE LATEST REVISION OF THE FOLLOWING AGENCY STANDARDS WILL BE MET:

| | |
|-------------|-------------------------|
| UL APPROVED | 50A 520V 50Hz/60Hz 40°C |
| CSA PENDING | 50A 520V 50Hz/60Hz 40°C |

OPERATING SPECIFICATION

LINE CURRENT/VOLTAGE: 50A, 520VAC
LINE FREQUENCY: 50/60Hz

MAXIMUM LEAKAGE CURRENT: 5mA @ 230VAC, 50Hz

OPERATING AMBIENT TEMPERATURE RANGE @ RATED CURRENT: -25°C TO +40°C

IN AN AMBIENT, T_a, HIGHER THAN 40°C, THE MAXIMUM OPERATING CURRENT, I_o, IS AS FOLLOWS:

$$I_o = I_r \sqrt{\frac{85 - T_a}{45}}$$

RELIABILITY SPECIFICATIONS

STORAGE TEMPERATURE: -40°C TO +85°C
HUMIDITY: 21 DAYS @ 40°C AND 95% RH

TEST SPECIFICATIONS

INDUCTANCE, NOMINAL: 0.25mH

CAPACITANCE @ 1kHz

LINE TO GROUND, NOMINAL: 22nF
LINE TO NEUTRAL, NOMINAL: 470nF

DISCHARGE RESISTOR

| | | |
|----------|-------|----|
| L/G I.R. | 2MΩ | 1W |
| L/L I.R. | 2MΩ | 1W |
| L/N I.R. | 1MΩ | 1W |
| N/G I.R. | 680KΩ | 1W |

IR (NO DISCHARGE RESISTOR) 20°C, 50% RH AND 100VDC, MIN: 6MΩ

RECOMMENDED RECEIVING INSPECITON HIPOT

LINE TO GROUND FOR 1 MINUTE: 2856VDC
LINE TO LINE FOR 1 MINUTE: 2236VDC
LINE TO NEUTRAL FOR 1 MINUTE: 1290VDC

FILTER APPROVAL

THE BEST WAY TO SELECT AND QUALIFY A FILTER IS FOR YOUR ENGINEERING TO TEST THE UNIT IN YOUR EQUIPMENT.

| | | | | |
|--|--|----------------------------|---|-------------------------|
| THIS DRAWING IS A CONTROLLED DOCUMENT. | | DWN SUPREETH R 14APR2021 | | |
| | | CHK CHRIS BOLLE 14APR2021 | | |
| | | APVD CHRIS BOLLE 14APR2021 | NAME POWER LINE FILTER FOR DIN RAIL 35 INSTALLATION 50KESS6BFPWHM | |
| DIMENSIONS: mm | | PRODUCT SPEC - | | SIZE A300779 |
| TOLERANCES UNLESS OTHERWISE SPECIFIED: | | APPLICATION SPEC - | | CAGE CODE C-7-1609966-2 |
| 0 PLC ±- | | WEIGHT - | | DRAWING NO |
| 1 PLC ±0.5 | | CUSTOMER DRAWING | | RESTRICTED TO - |
| 2 PLC ±0.40 | | SCALE 1:2 | | SHEET 1 OF 2 |
| 3 PLC ±0.130 | | | | REV A |
| 4 PLC ±0.0500 | | | | |
| ANGLES ±- | | | | |
| MATERIAL - | | | | |
| FINISH - | | | | |

© 2021 TE Connectivity. All Rights Reserved.

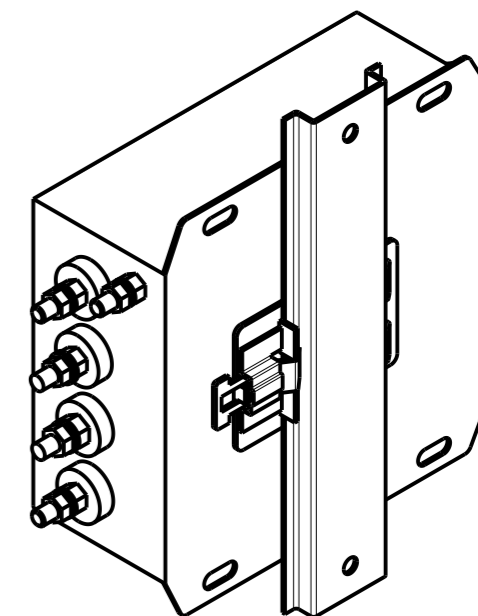
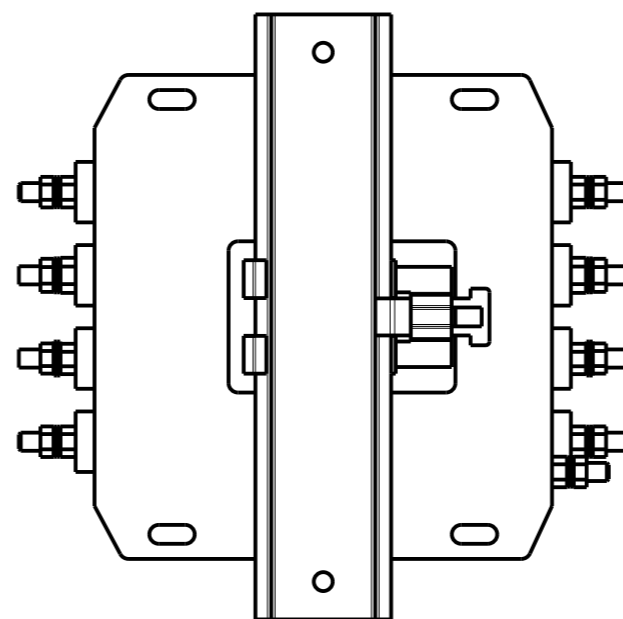
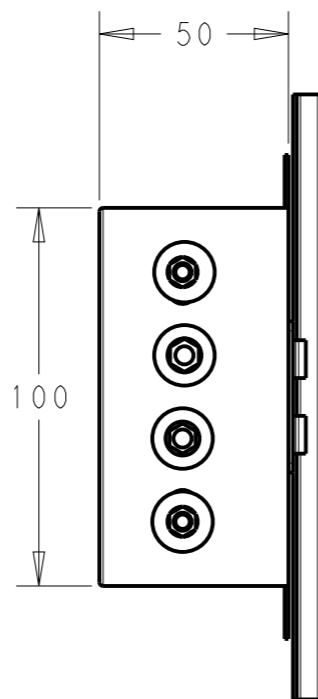
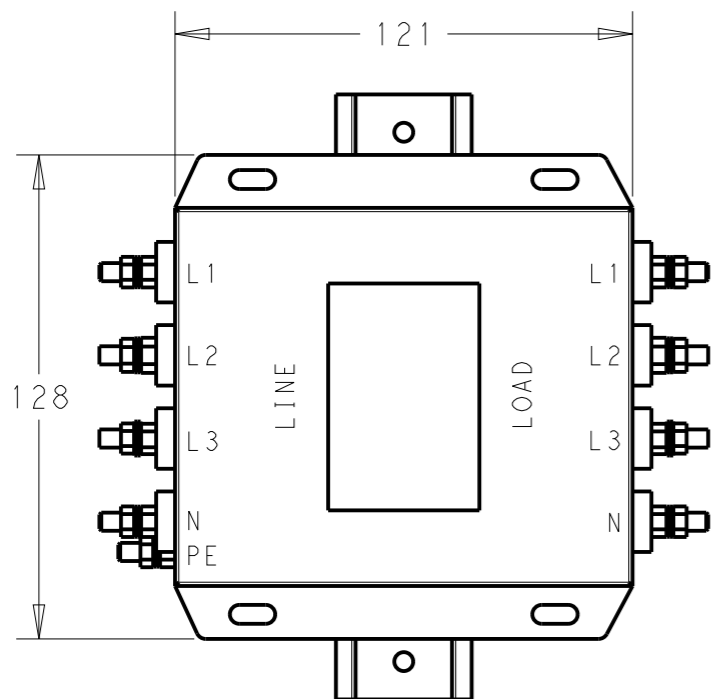
NOTE 1 GROUND CONNECTION:
 FOR ELECTRICAL SAFETY AND FILTER PERFORMANCE
 UNIT MUST HAVE A GOOD GROUND CONNECTION.
 TORQUE OUTER TERMINAL /GROUND NUTS: 2.5-3Nm

NOTE 2 INPUT OUTPUT CONNECTION TERMINAL
 AWG SIZE: XXX
 THREADED BOLT SIZE FOR TERMINAL: M6
 THREADED BOLT SIZE FOR GROUND: M6

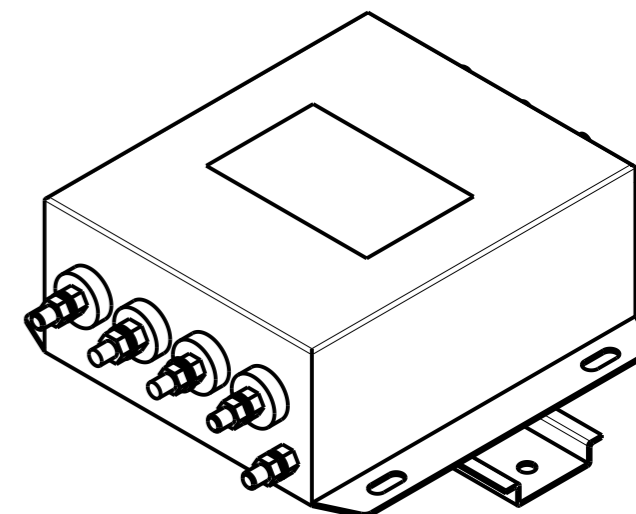
NOTE 3 SUPPLIED WITH DIN RAIL BRACKET.

NOTE 4 DRAWING SHOWS DIN RAIL FOR REFERENCE ONLY.

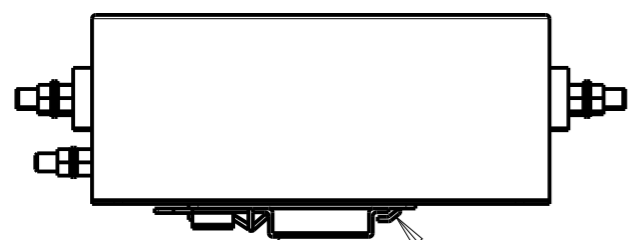
| REVISIONS | | | | | |
|-----------|-----|-------------|------|-----|------|
| P | LTR | DESCRIPTION | DATE | DWN | APVD |
| | | SEE SHEET 1 | | | |
| | | | | | |
| | | | | | |



REAR SIDE



FRONT SIDE



DIN RAIL BRACKET

DIN 35 BRACKET

| | | | | | | |
|--|--|----------------------------|--|-----------------|--------------------------|-----------------|
| THIS DRAWING IS A CONTROLLED DOCUMENT. | | DWN SUPREETH R 14APR2021 | | | | |
| | | CHK CHRIS BOLLE 14APR2021 | | | | |
| | | APVD CHRIS BOLLE 14APR2021 | NAME POWER LINE FILTER FOR DIN RAIL 35 INSTALLATION 50KES6BFPWHM | | | |
| DIMENSIONS: mm | | PRODUCT SPEC - | SIZE A3 | CAGE CODE 00779 | DRAWING NO C-7-1609966-2 | RESTRICTED TO - |
| TOLERANCES UNLESS OTHERWISE SPECIFIED: | | APPLICATION SPEC - | SCALE 1:2 | | SHEET 2 OF 2 | REV A |
| 0 PLC ±- | | WEIGHT - | CUSTOMER DRAWING | | | |
| 1 PLC ±0.5 | | | | | | |
| 2 PLC ±0.40 | | | | | | |
| 3 PLC ±0.130 | | | | | | |
| 4 PLC ±0.0500 | | | | | | |
| ANGLES ±- | | | | | | |
| MATERIAL - | | | | | | |
| FINISH - | | | | | | |