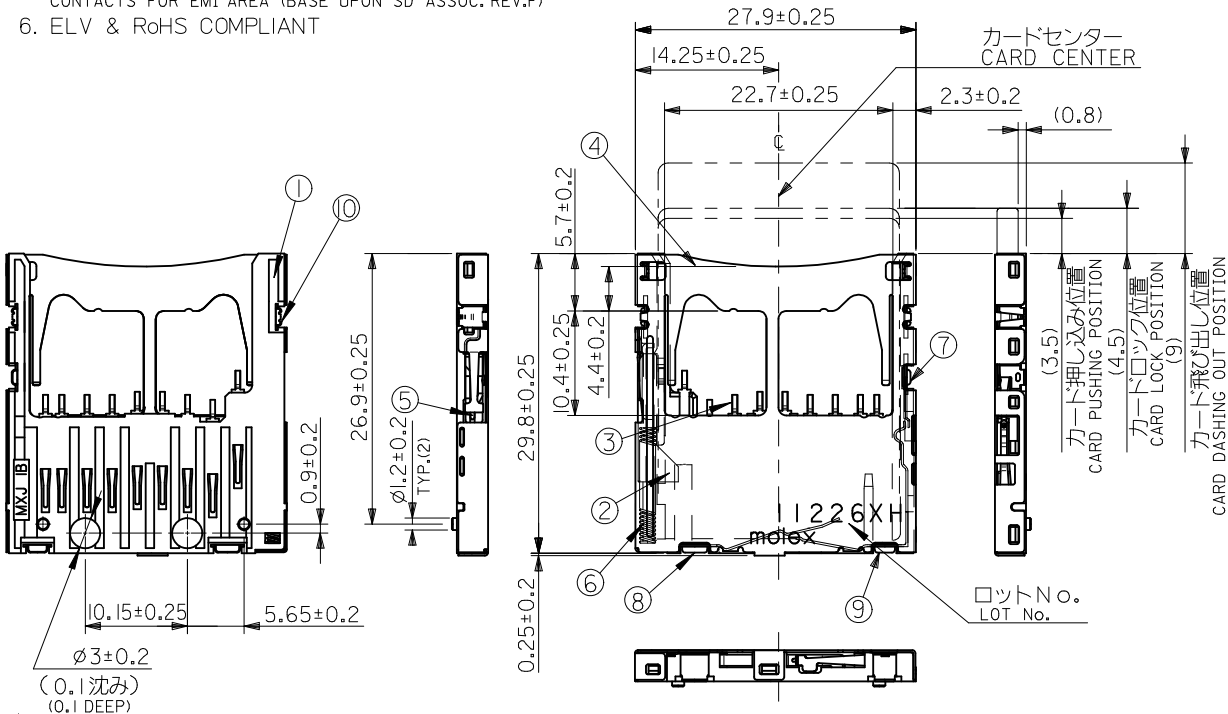
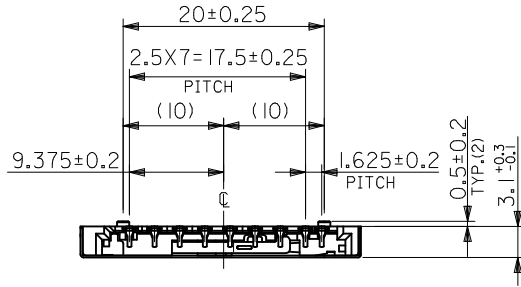


NOTES

- ターミナル及びネイル平坦度は 0.1 MAX.
TERMINAL AND NAIL COPLANARITY TO BE 0.1 MAX.
- 各スイッチのオープン/クローズ
OPENING/CLOSE OF EACH SWITCH
- 納入時、プッシュプッシュ機構はアンロック状態
(カード飛び出し位置)
WHEN DELIVERING, THE PUSH/PUSH MECHANISM IS IN
THE STATE OF THE UNLOCK.
(CARD DASHING OUT POSITION)
- 推奨基板厚 : 0.8±0.1
RECOMMENDED P.C.B. THICKNESS: 0.8±0.1
- EMI 用コンタクト範囲 (SD ASSOC. REV.F に準拠)
CONTACTS FOR EMI AREA (BASE UPON SD ASSOC. REV.F)
- ELV & RoHS COMPLIANT



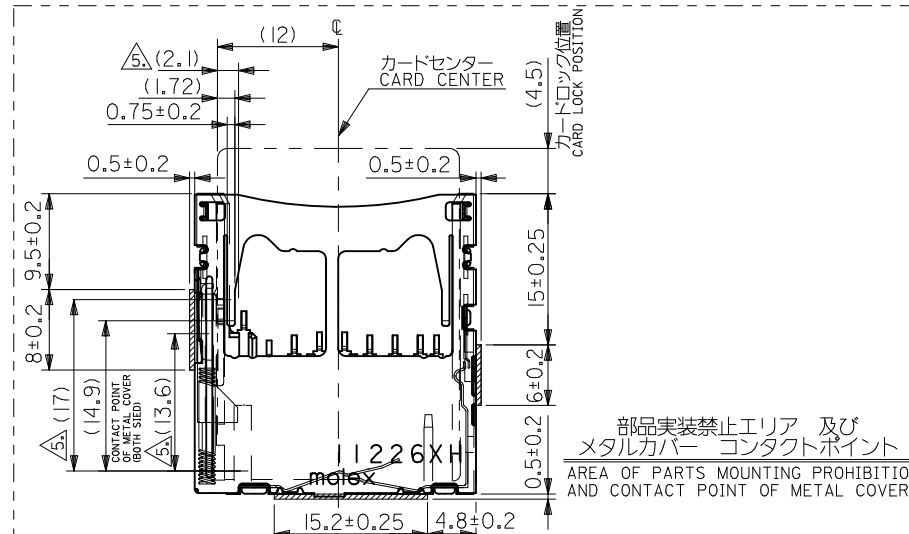
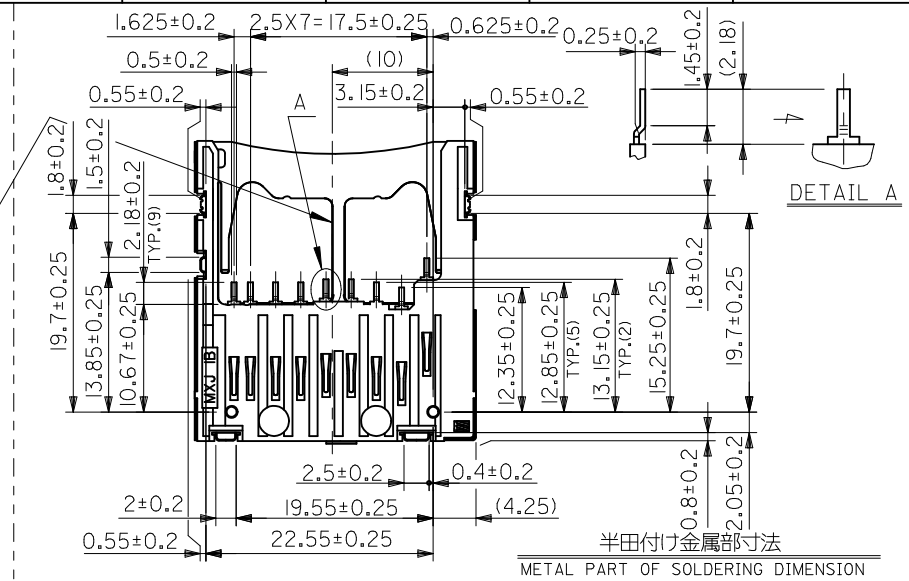
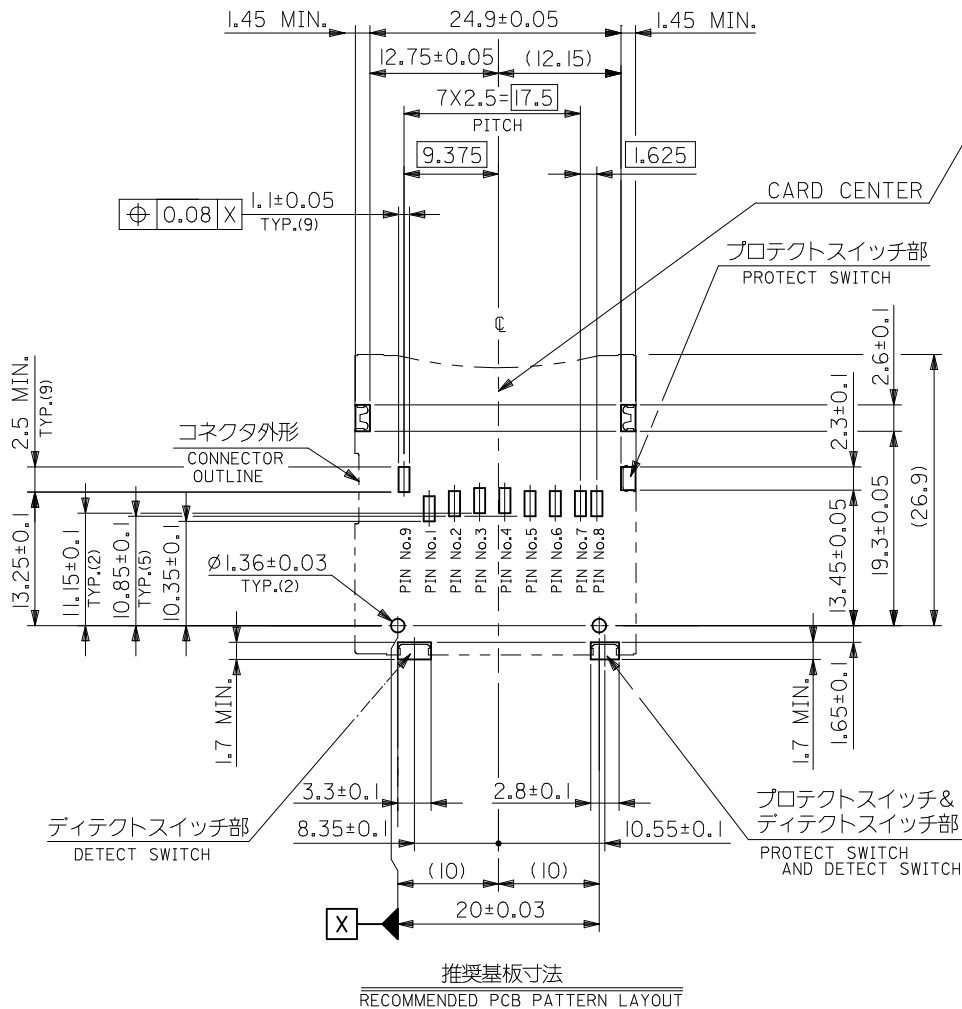
| NO. | NAME | QTY | MATERIAL |
|-----|---|-----|--|
| ① | ハウジング HOUSING | 1 | 液晶ポリマー(LCP),ガラス充填,UL94V-0,黒 LIQUID CRYSTAL POLYMER(LCP),GLASS FILLED UL94V-0, BLACK |
| ② | スライダーカム SLIDER CAM | 1 | 液晶ポリマー(LCP),ガラス充填,UL94V-0,黒 LIQUID CRYSTAL POLYMER(LCP),GLASS FILLED UL94V-0, BLACK |
| ③ | ターミナル TERMINAL | 9 | 燐青銅 PHOSPHOR BRONZE 接点部: 金めっき (0.2µm以上) 接点部: ニッケルパラジウムめっき (0.3µm以上) テール部: 鍍めっき (1.0µm以上) 下地: ニッケルめっき (1.5µm以上) CONTACT: GOLD PLATING(0.2MICROMETER MINIMUM.) CONTACT: PALLADIUM-NICKEL PLATING (0.3MICROMETER MINIMUM.) SOLDER TAIL: TIN PLATING(1.0MICROMETER MINIMUM.) UNDERPLATE: NICKEL OVERALL (1.5MICROMETER MINIMUM.) |
| ④ | メタルカバー METAL COVER | 1 | ステンレス鋼 STAINLESS STEEL |
| ⑤ | ピン PIN | 1 | ステンレス鋼 STAINLESS STEEL |
| ⑥ | スプリング SPRING | 1 | ピアノ線 SWP 全面: ニッケルメッキ (1.0µm以上) NICKEL OVERALL(1.0MICROMETER MINIMUM.) |
| ⑦ | プロテクトターミナル PROTECT TERMINAL | 1 | 燐青銅 PHOSPHOR BRONZE 接点部: 金めっき (0.2µm以上) テール部: 鍍めっき (1.0µm以上) 下地: ニッケルめっき (2.0µm以上) CONTACT: GOLD PLATING(0.2MICROMETER MINIMUM.) SOLDER TAIL: TIN PLATING(1.0MICROMETER MINIMUM.) UNDERPLATE: NICKEL OVERALL (2.0MICROMETER MINIMUM.) |
| ⑧ | ディテクトターミナル DETECT TERMINAL | 1 | 燐青銅 PHOSPHOR BRONZE 接点部: 金めっき (0.2µm以上) テール部: 鍍めっき (1.0µm以上) 下地: ニッケルめっき (2.0µm以上) CONTACT: GOLD PLATING(0.2MICROMETER MINIMUM.) SOLDER TAIL: TIN PLATING(1.0MICROMETER MINIMUM.) UNDERPLATE: NICKEL OVERALL (2.0MICROMETER MINIMUM.) |
| ⑨ | プロテクト& ディテクトターミナル PROTECT TERMINAL AND DETECT TERMINAL | 1 | 燐青銅 PHOSPHOR BRONZE 接点部: 金めっき (0.2µm以上) 下地: ニッケルめっき (2.0µm以上) CONTACT: GOLD PLATING(0.2MICROMETER MINIMUM.) UNDERPLATE: NICKEL OVERALL (2.0MICROMETER MINIMUM.) |
| ⑩ | ネイル NAIL | 2 | 黄銅 BRASS 鍍めっき (1.0µm以上) 下地: ニッケルめっき (1.0µm以上) TIN PLATING(1.0MICROMETER MINIMUM.) UNDERPLATE: NICKEL OVERALL (1.0MICROMETER MINIMUM.) |

| | プロテクトターミナル PROTECT TERMINAL | | ディテクトターミナル DETECT TERMINAL |
|--------------------------------|--|---|-------------------------------|
| | カード書き込み 禁止状態 WRITE PROTECT POSITION | カード書き込み 可能状態 WRITE ENABLE POSITION | |
| カード未装着状態 CARD UNINSERTION | オープン OPEN | オープン OPEN | オープン OPEN |
| カード装着過程 CARD HALF INSERTION | クローズ CLOSE | クローズ CLOSE | オープン OPEN |
| カード装着 CARD INSERTION | オープン OPEN | クローズ CLOSE | クローズ CLOSE |

| | | |
|---|-------------|---|
| REVISED EC NO.: J2010-1147 DRWN: HAYASHI 2009/12/01 CHKD: MITSUITA 2009/12/02 APPR: NUKITA 2009/12/02 | DESCRIPTION | GENERAL TOLERANCES (UNLESS SPECIFIED) |
| A | | 10 UNDER ±0.2 10 OVER 30 UNDER ±0.25 30 OVER ±0.3 ANGULAR ±3 ° DRAFT WHERE APPLICABLE MUST REMAIN WITHIN DIMENSIONS |

| | | | |
|----------------------------|-------------------------------|--|------------------------|
| DIMENSION STYLE MM ONLY | | SCALE --- | DESIGN UNITS METRIC |
| DRAWN BY YSUGIURA | DATE 2004/12/08 | TITLE | |
| CHECKED BY MTANAKA | DATE 2004/12/08 | SD CARD CONN.ASS'Y ULTRA SHORT NAIL NORMAL - LEAD FREE - | |
| APPROVED BY NUKITA | DATE 2004/12/08 | MOLEX INCORPORATED | |
| MATERIAL NO. SEE CHART | DOCUMENT NO. SD-500999-002 | SHEET NO. 1 OF 2 | |

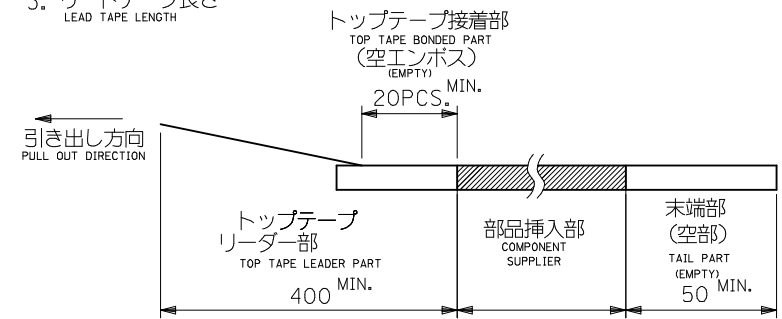
500999-0900
EMBOSSSED TAPE PACKAGE
オーダー番号 ORDER NO.
CONNECTOR SERIES NO.: 500999-****
THIRD ANGLE PROJECTION
SD CARD CONN.ASS'Y
ULTRA SHORT NAIL NORMAL
- LEAD FREE -
MOLEX INCORPORATED
SD-500999-002
THIS DRAWING CONTAINS INFORMATION THAT IS PROPRIETARY TO MOLEX
INCORPORATED AND SHOULD NOT BE USED WITHOUT WRITTEN PERMISSION



| | | | | | | | | |
|---|---------------------------------------|--|----------------------------|--|---|-------------------------------|------------------------|--|
| REVISED EC NO: J2010-1147 DRWN: HAYASHI 2009/12/01 CHKD: MOTOYAMA 2009/12/02 APPR: NUKITA 2009/12/02 A | GENERAL TOLERANCES (UNLESS SPECIFIED) | | DIMENSION STYLE MM ONLY | | SCALE --- | DESIGN UNITS METRIC | THIRD ANGLE PROJECTION | |
| | 10 UNDER | ±0.2 | DRAWN BY YSUGIURA | DATE 2004/12/08 | TITLE SD CARD CONN.ASS'Y ULTRA SHORT NAIL NORMAL - LEAD FREE - | | | |
| | 10 OVER 30 UNDER | ±0.25 | CHECKED BY MTANAKA | DATE 2004/12/08 | MOLEX INCORPORATED | | | |
| | 30 OVER | ±0.3 | APPROVED BY NUKITA | DATE 2004/12/08 | MATERIAL NO. SEE SHEET 1 OF 2 | DOCUMENT NO. SD-500999-002 | SHEET NO. 2 OF 2 | |
| ANGULAR ±3 ° | | DRAFT WHERE APPLICABLE MUST REMAIN WITHIN DIMENSIONS | | THIS DRAWING CONTAINS INFORMATION THAT IS PROPRIETARY TO MOLEX INCORPORATED AND SHOULD NOT BE USED WITHOUT WRITTEN PERMISSION | | | | |

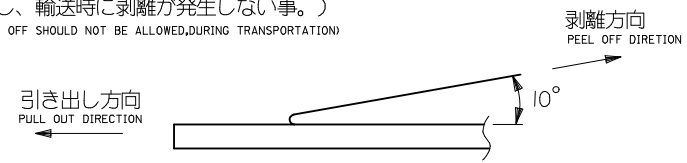
注)
NOTES

- 製品番号 500999-0909 の詳細寸法については、S/D 図面を参照下さい。
IN THE PACKAGE, PART NO. 500999-0909 DETAILED DIMENSIONS, SEE SALES DRAWING.
- 梱包数量 : 400 個/リール
NUMBER OF CONNECTORS : 400 PCS/REEL
- リードテープ長さ
LEAD TAPE LENGTH

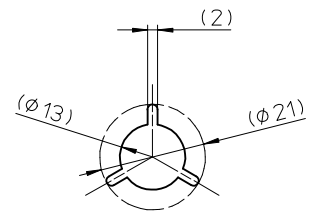
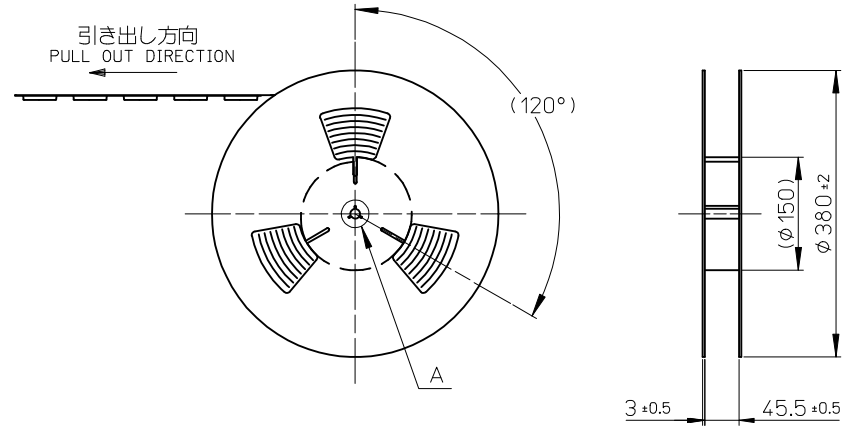


- トップテープの剥離強度 : (剥離方向は下図参照)
PEELING OFF FORCE OF TOP TAPE (PEELING DIRECTION AS SHOWN IN FOLLOWING FIG.)
0. 1~1. 3N (10. 2~130gf) : キャリアテープ幅 44mm
CARRIER TAPE WIDTH 44mm

尚、本規格値は、出荷時に適用。
THIS REQUIREMENT SHOULD BE APPLIED AT SHIPMENT
(但し、輸送時に剥離が発生しない事。)
(PEEL OFF SHOULD NOT BE ALLOWED, DURING TRANSPORTATION)



- 材料
MATERIAL
キャリアテープ : ポリプロピレン (PP)
CARRIER TAPE : POLYPROPYLENE (PP)
トップテープ : PET, PE, PE F
TOP TAPE : PET, PE, PE F
リール : 紙/プラスチック
REEL : CARD BOARD/PLASTIC

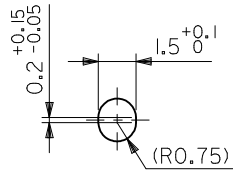


DETAIL A
SCALE 1:1

| | |
|------------------------|-------------|
| 500999-0900 | 500999-**** |
| MATERIAL No. | MODEL No. |
| THIRD ANGLE PROJECTION | |

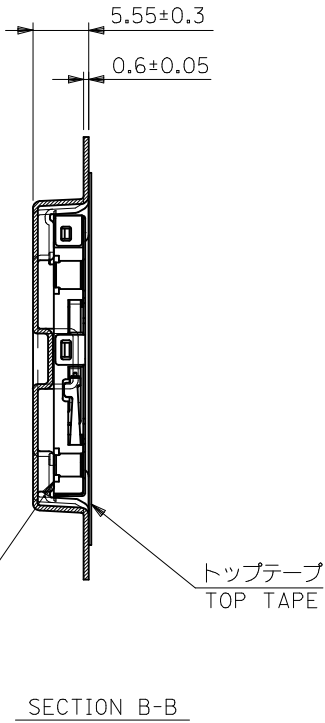
| | | | | | | | | |
|---|---------------------------------------|---|----------------------------|--|---------------------------|-------------------------------|---|--|
| RELEASED EC NO: J2005-1785 DRW: JSAMORI 2004/12/17 CHK: NUKITA 2004/12/17 APPR: NUKITA 2004/12/24 | GENERAL TOLERANCES (UNLESS SPECIFIED) | | DIMENSION STYLE MM ONLY | | SCALE --- | DESIGN UNITS METRIC | TITLE EMBOSS TAPE PACKAGE FOR 50999-0909 - LEAD FREE - | |
| | 10 UNDER | ± 0.25 | DRAWN BY YSUGIURA | DATE 2004/12/10 | MOLEX MOLEX INCORPORATED | | | |
| | 10 OVER 30 UNDER | ± 0.25 | CHECKED BY MTANAKA | DATE 2004/12/10 | | | | |
| | 30 OVER | ± 0.3 | APPROVED BY NUKITA | DATE 2004/12/10 | MATERIAL NO. SEE CHART | DOCUMENT NO. SD-500999-004 | SHEET NO. 1 OF 2 | |
| 0 | REV | ANGULAR ± 3 ° DRAFT WHERE APPLICABLE MUST REMAIN WITHIN DIMENSIONS | | THIS DRAWING CONTAINS INFORMATION THAT IS PROPRIETARY TO MOLEX INCORPORATED AND SHOULD NOT BE USED WITHOUT WRITTEN PERMISSION | | | | |

10 9 8 7 6 5 4 3 2 1

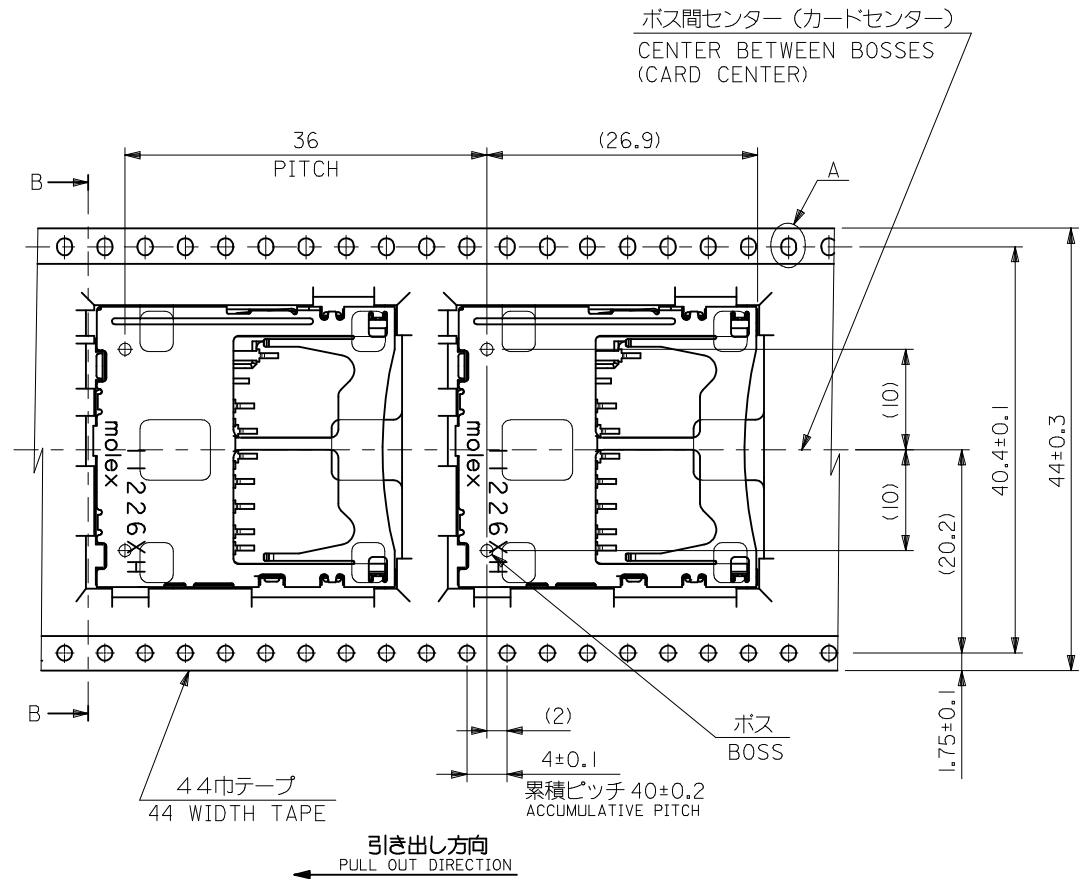


DETAIL A
(5-1)

500999-0909
CONNECTOR



SECTION B-B



| | | | | | | | |
|---|---------------------------------------|------------------|----------------------------|--------------------|---|------------------------|------------------------|
| RELEASED EC NO: J2005-1785 DRWN: JSAYORI 2004/12/17 CHKD: NUKITA 2004/12/17 APPR: NUKITA 2004/12/24 | GENERAL TOLERANCES (UNLESS SPECIFIED) | | DIMENSION STYLE MM ONLY | | SCALE --- | DESIGN UNITS METRIC | THIRD ANGLE PROJECTION |
| | 10 UNDER | ±0.2 | DRAWN BY YSUGIURA | DATE 2004/12/10 | TITLE EMBOSS TAPE PACKAGE FOR 50999-0909 - LEAD FREE - | | |
| | 10 OVER 30 UNDER | ±0.25 | CHECKED BY MTANAKA | DATE 2004/12/10 | | | |
| | 30 OVER | ±0.3 | APPROVED BY NUKITA | DATE 2004/12/10 | MOLEX INCORPORATED | | |
| ANGULAR ±3 ° | | MATERIAL NO. | DOCUMENT NO. | SHEET NO. | | | |
| DRAFT WHERE APPLICABLE MUST REMAIN WITHIN DIMENSIONS | | SEE SHEET 1 OF 2 | | SD-500999-004 | | 2 OF 2 | |
| SIZE A3 THIS DRAWING CONTAINS INFORMATION THAT IS PROPRIETARY TO MOLEX INCORPORATED AND SHOULD NOT BE USED WITHOUT WRITTEN PERMISSION | | | | | | | |