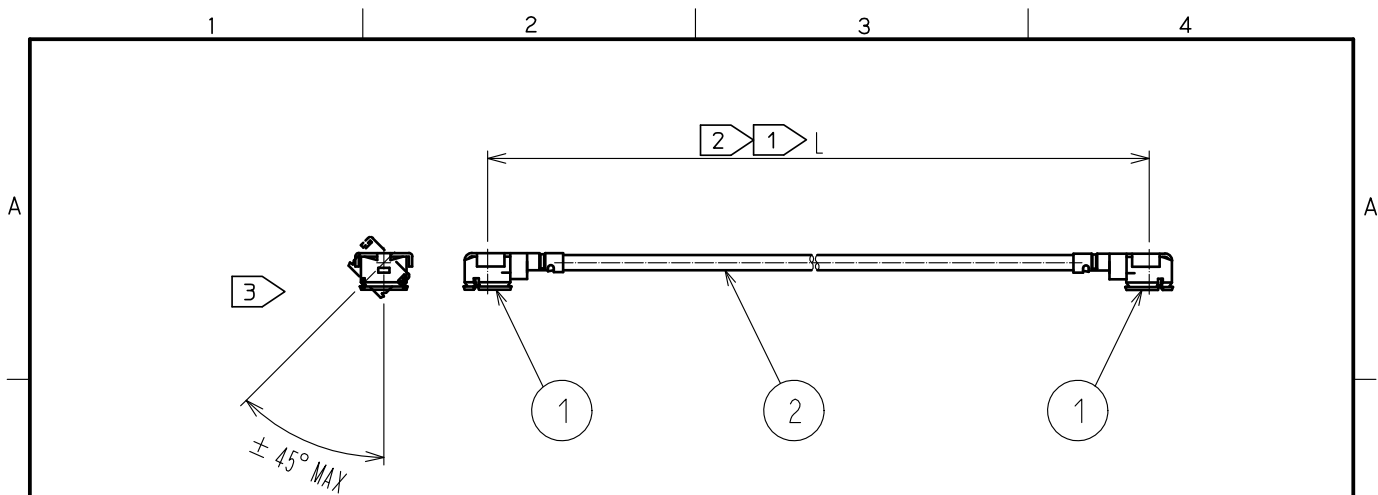


May.1.2023 Copyright 2023 HIROSE ELECTRIC CO., LTD. All Rights Reserved.
In case of consideration for using Automotive equipment / device which demand high reliability, kindly contact our sales window correspondents.



Part No.	Cable color
~04*1TV~	WHITE
~04*2TV~	BLACK

NOTE ① We indicate the length of the harness on the last of product name. 'L' part.

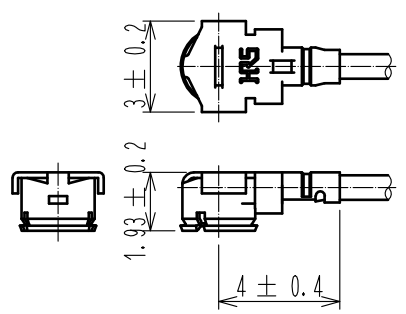
② Tolerance for [L]

Length L [mm]	Tolerance [mm]
35 ≦ L ≦ 200	±4
200 < L ≦ 500	±8
500 < L ≦ 1000	±12
1000 < L	±1.5%

③ Connector rotation angle is within ±45 degree from the above image.
For long length in the case of L>500, the angle is optional.

4. Specifications are subject to change without notice.

【 DIMENSIONS OF CONNECTOR 】



1	U.FL-LP-040HF	CL331-0557-3	2	0.81 Dia. coaxial cable
NO.	PART NO.	CODE NO.	NO.	PART NO.

HALOGEN FREE

UNITS mm	SCALE FREE	COUNT	DESCRIPTION OF REVISIONS	DESIGNED	CHECKED	DATE
HIROSE ELECTRIC CO., LTD.	APPROVED	•TS. NOBE	18.06.18	DRAWING NO.		
	CHECKED	•MT. KANEKO	18.06.18	PART NO. U.FL-2LPHF6-04**TV-A-L		
	DESIGNED	•MS. MATSUMOTO	18.06.18	CODE NO.		
	DRAWN	•MS. MATSUMOTO	18.06.18	NO.		