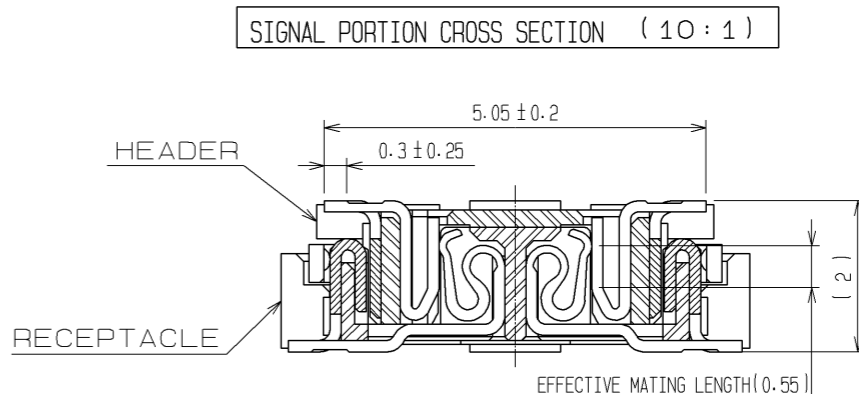
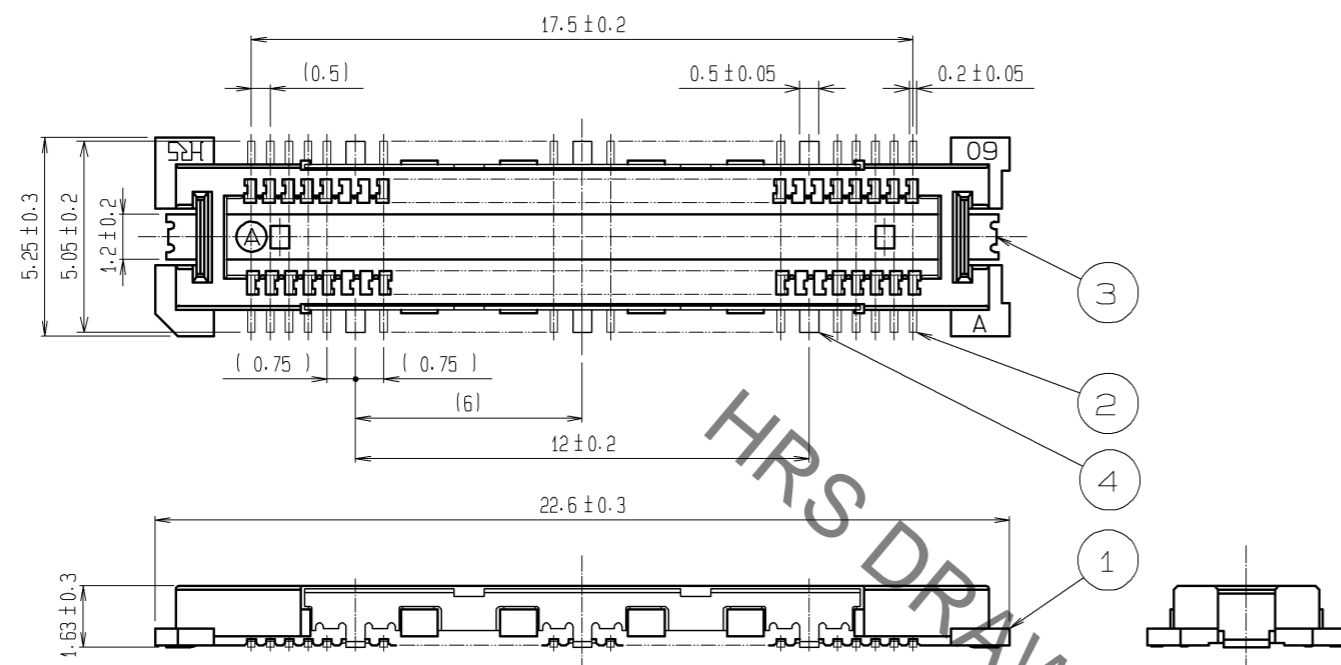
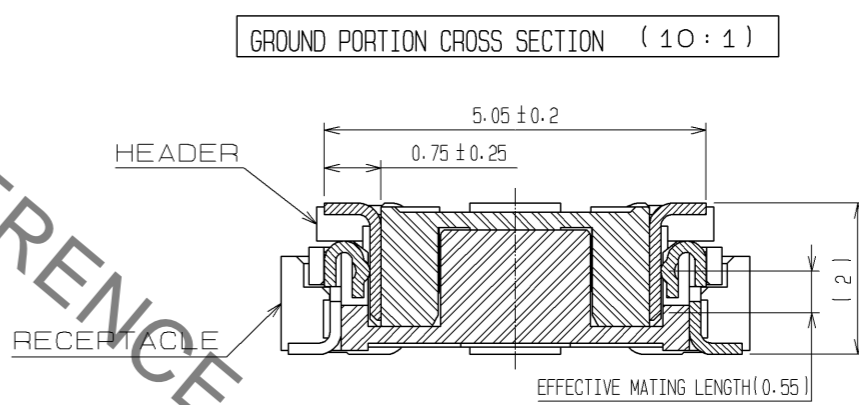
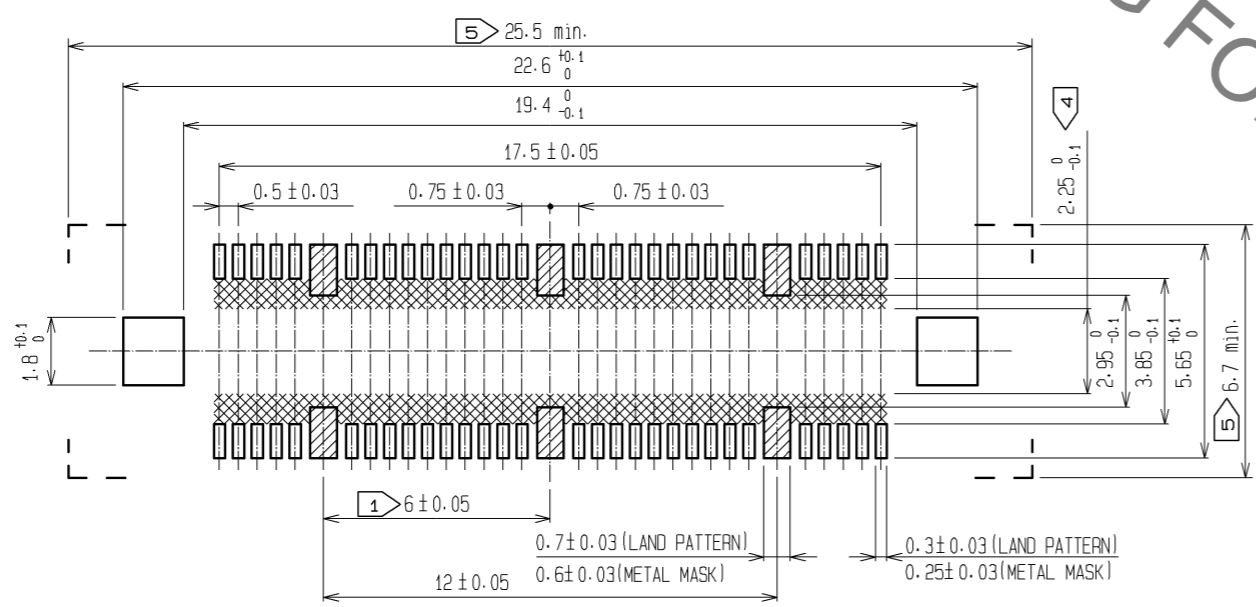


May.1.2023 Copyright 2023 HIROSE ELECTRIC CO., LTD. All Rights Reserved.  
 In case of consideration for using Automotive equipment / device which demand high reliability, kindly contact our sales window correspondents.



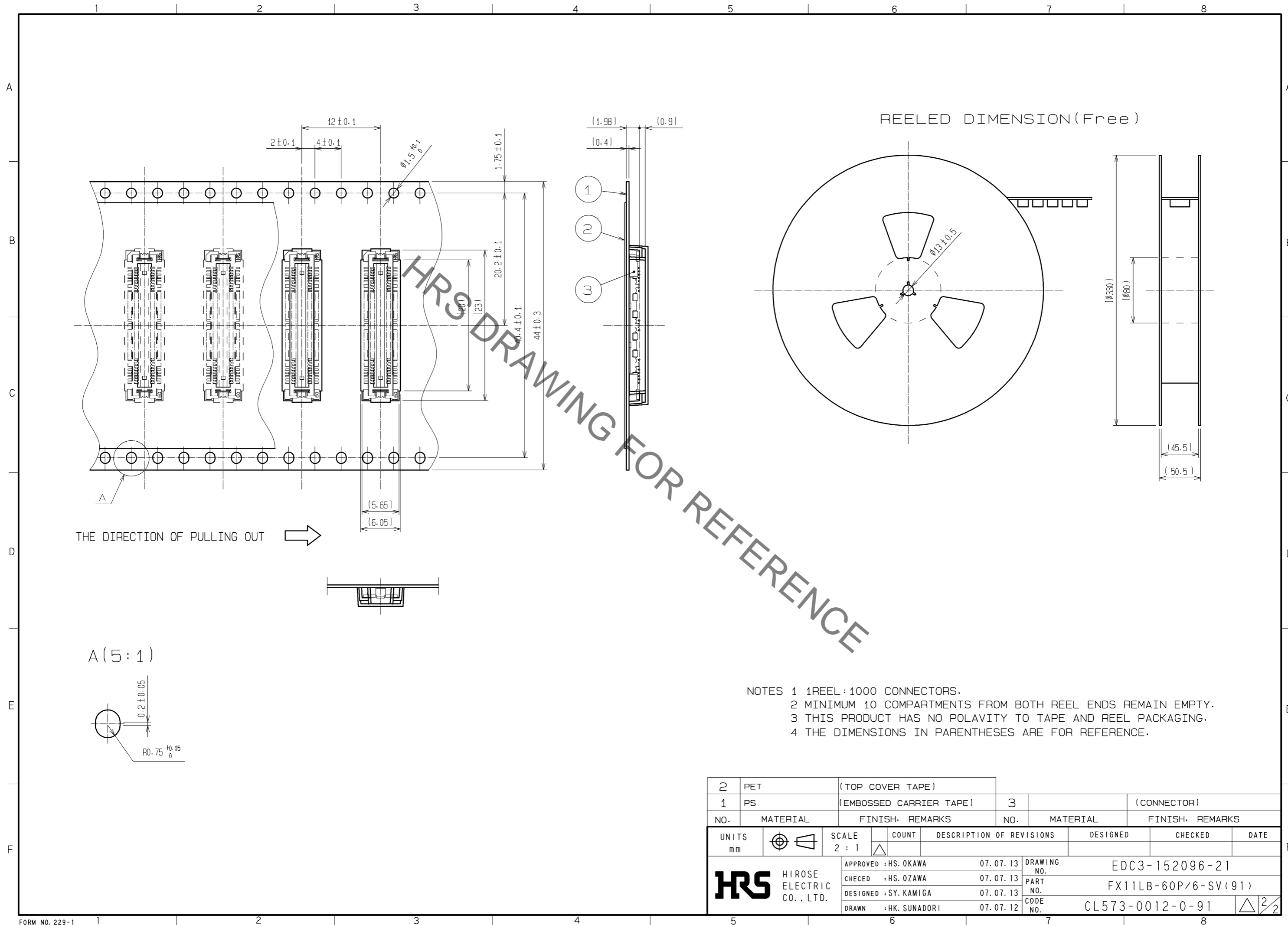
RECOMMENDED LAND PATTERN DIMENSION OF PCB



- NOTES
- ① 6 HATCHED PARTS: GROUND CIRCUIT.
  - ② SMT LEAD-COPLANARITY: 0.1 MAX.
  - ③ THIS PRODUCT HAS NO POLARITY TO PATTERN FOR MOUNTING.
  - ④ MAKE SURE WIDTH OF PATTERN IS WITHIN THAT OF LAND, OR LEAD MAY TOUCH PATTERN. (THIS APPLIES TO HATCHED AREA.)
  - ⑤ DO NOT MOUNT OTHER DEVICES ONTO AREA, OR MATING PAIR CANNOT BE MATED.
  - ⑥ TO BE EMBOSSED CARRIER TAPED AS SPECIFIED IN SHEET 2.
  - ⑦ THE DIMENSIONS IN PARENTHESES ARE FOR REFERENCE.

1	LCP	BEIGE	UL94V-0	4	PHOSPHOR BRONZE	TIN PLATING	
NO.	MATERIAL	FINISH	REMARKS	NO.	MATERIAL	FINISH	
				3	PHOSPHOR BRONZE	TIN PLATING	
				2	COPPER ALLOY	CONTACT AREA : GOLD 0.1μm min.	
			LEAD AREA : GOLD FLASH				
			UNDER PLATING : NICKEL 1μm min.				
UNITS		SCALE	COUNT	DESIGNED		CHECKED	DATE
mm		5 : 1					
<b>HRS</b> HIROSE ELECTRIC CO., LTD.		APPROVED : HS. OKAWA	07.07.13	DRAWING NO.		EDC3-152096-21	
		CHECED : HS. OZAWA	07.07.13	PART NO.		FX11LB-60P/6-SV(91)	
		DESIGNED : SY. KAMIGA	07.07.13	CODE NO.		CL573-0012-0-91	
		DRAWN : HK. SUNADORI	07.07.12			1/2	

May.1.2023 Copyright 2023 HIROSE ELECTRIC CO., LTD. All Rights Reserved.  
 In case of consideration for using Automotive equipment / device which demand high reliability, kindly contact our sales window correspondents.



HRS DRAWING FOR REFERENCE

- NOTES 1 1 REEL : 1000 CONNECTORS.  
 2 MINIMUM 10 COMPARTMENTS FROM BOTH REEL ENDS REMAIN EMPTY.  
 3 THIS PRODUCT HAS NO POLARITY TO TAPE AND REEL PACKAGING.  
 4 THE DIMENSIONS IN PARENTHESES ARE FOR REFERENCE.

2	PET	(TOP COVER TAPE)			
1	PS	(EMBOSSD CARRIER TAPE)	3		(CONNECTOR)
NO.	MATERIAL	FINISH, REMARKS	NO.	MATERIAL	FINISH, REMARKS
UNITS		SCALE	COUNT	DESCRIPTION OF REVISIONS	
mm		2 : 1	$\Delta$	DESIGNED	CHECKED
<b>HRS</b> HIROSE ELECTRIC CO., LTD.		APPROVED : HS. OKAWA	07.07.13	DRAWING NO. EDC3-152096-21	
		CHECED : HS. OZAWA	07.07.13	PART NO. FX11LB-60P/6-SV(91)	
		DESIGNED : SY. KAMIGA	07.07.13	CODE NO. CL573-0012-0-91	
		DRAWN : HK. SUNADORI	07.07.12		
				$\Delta$	2/2