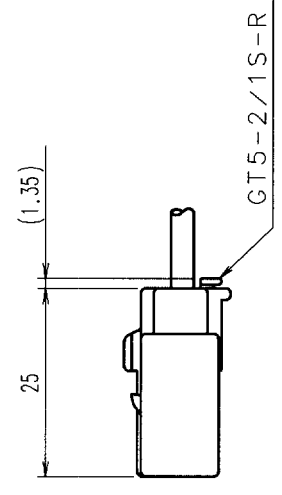
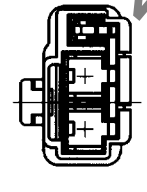
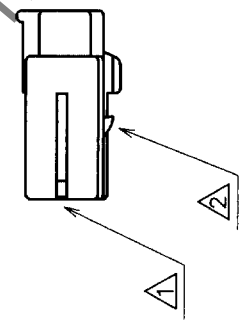
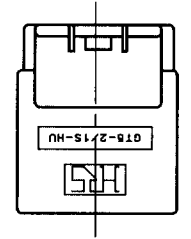
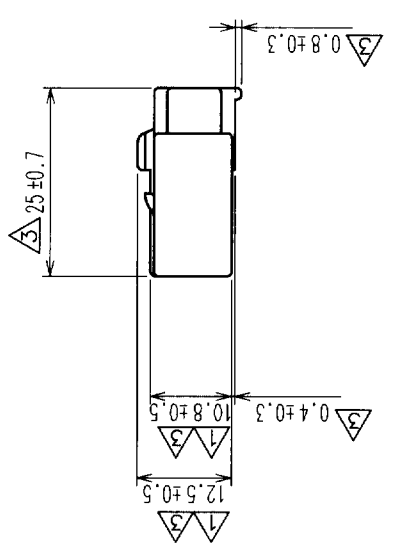
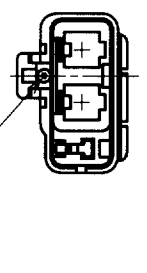
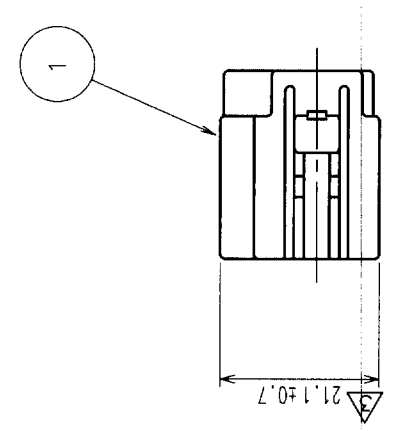


COUNT	DESCRIPTION OF REVISIONS	BY	CHKD	DATE	COUNT	DESCRIPTION OF REVISIONS	BY	CHKD	DATE
3	RE-H-0685	N.N.K.S.		'93. 3. 4					
1	RE-H-1325	N.N.K.S.		'94.12.29					
8	RE-T-00607	T.I.M.C.		'91.11.28					

NOTE1. THIS CONNECTOR SHALL BE USED WITH A RETAINER  
(CL755-0003-4).

PECULIAR SPECIFICATION CHART

PART NO.	CL NO.	SPECIFICATION
GT5-271S-HU	755-0009-0	LIGHT GRAY
GT5-271S-HU (20)	755-0009-0-20	ORANGE
GT5-271S-HU (21)	755-0009-0-21	BLUE



CONNECTOR ASSEMBLED WITH A RETAINER

NO.	PBT	MATERIAL	FINISH, REMARKS	NO.	MATERIAL	FINISH, REMARKS
1	3	JUL94HB				

NO.	CODE NO. (OLD)	FINISH, REMARKS	NO.	DESIGNED	CHECKED	APPROVED	RELEASED
	CL559-0128-9			N.NAKATA	K.SATO	M.YAMAMOTO	
				'92. 8. 29	'92. 11. 5	'92. 11. 5	

SCALE	DRAWING NO.	PART NO.
1 : 1	EDC3-84644	GT5-271S-HU

UNITS	CODE NO.
MM	CL755-0009-0

TO			
----	--	--	--