

Waterproof USB Connectors

M22-Panel mount connector

Front mounting, Coupler

USB 3.1 Type C

Protection: IP 64 / IP 67
(Assembled with CAP)

Contacts: 24

Material:

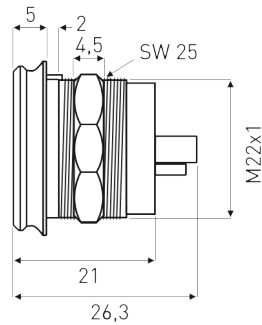
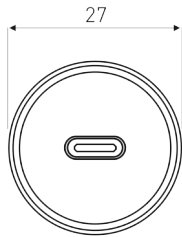
Housing: Plastic, Black (PA), UL94 V-0

Nut: Plastic, Black (PA), UL94 V-2

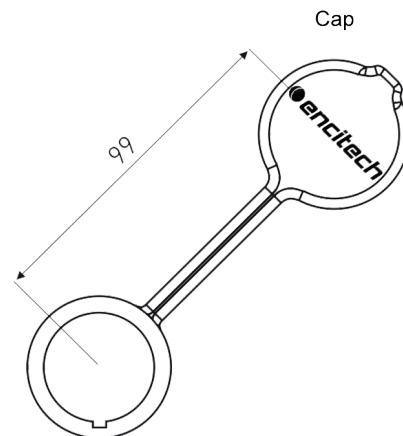
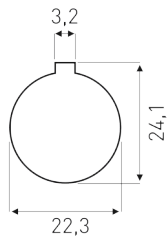
CAP: Elastolan, Black, UL94 HB

Contact plating: Gold-plated

Kit: Including CAP + Nut



Recommended
Panel Cut out



M22 Panel mount USB 3.1 - Type C

Connector:	Part No:
Panel Conn, Black	1310-1041-01



Encitech Connectors AB
Rörkullsvägen 4
SE-302 41 HALMSTAD, Sweden

Tel: +46-(0)35-15 13 90
e-mail: connectors@encitech.com

www.encitech.com