

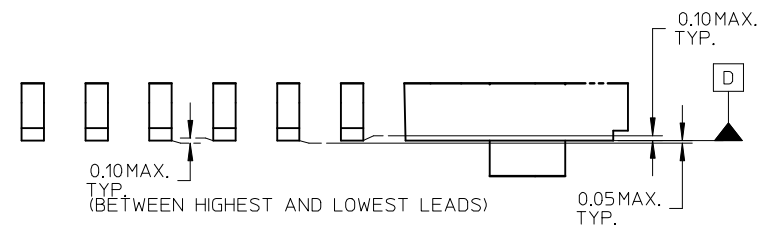
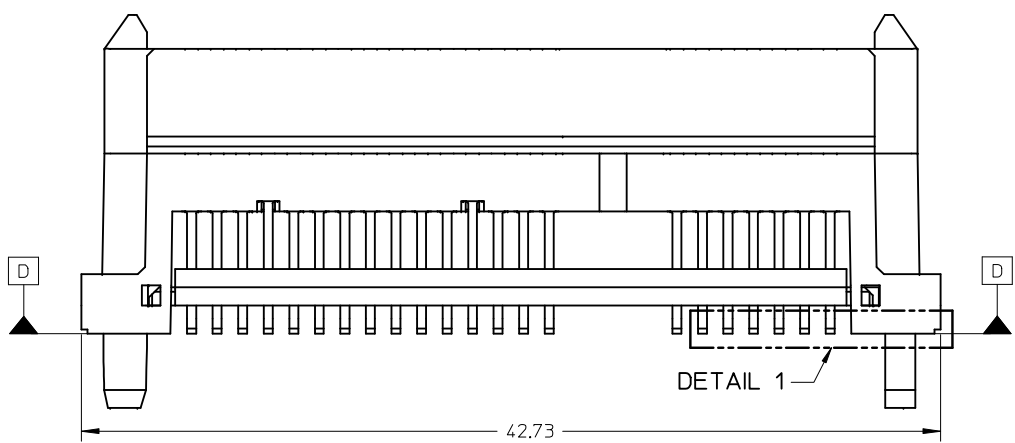
NOTES:

- MATERIAL: HIGH TEMPERATURE THERMOPLASTIC, UL 94V-0, COLOR: BLACK  
TERMINAL: COPPER ALLOY
- PLATING  
CONTACT: 0.76µm MIN. SELECTIVE GOLD  
OVER 1.27µm MIN. NICKEL UNDERPLATE  
SOLDERTAIL: 2.54µm MIN. TIN OVER 1.27µm MIN. NICKEL UNDERPLATE
- MOLEX LOGO LOCATED APPROXIMATELY AS SHOWN
- MAXIMUM WARPAGE OF 0.13 mm OVER THE LENGTH OF THE CONNECTOR IN ANY DIRECTION BEFORE AND AFTER EXPOSURE TO MAX. 260°C FOR 10 SECONDS
- PRODUCT SPECIFICATION: PS-87781-005 APPLIES
- PACKAGING  
30 CONNECTORS PER TRAY

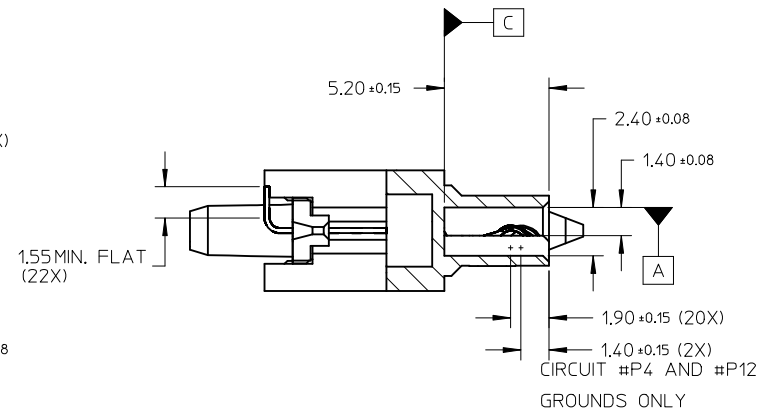
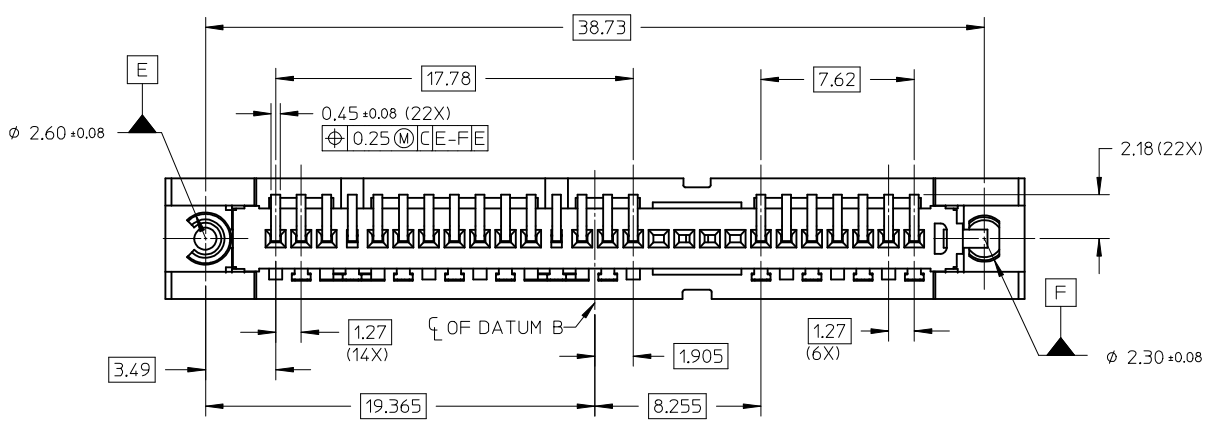
THE DESIGN IS BASED ON DESIGN OBJECTIVES AND IS STRICTLY TENTATIVE. IT MAY CHANGE BASED ON RESULTS OF ADDITIONAL DESIGN REVIEWS & VERIFICATIONS

EC NO: S2005-0571 DRW:KHLIM 2005/02/05 CHK:KCLING 2005/02/14 APPR:SKTOH 2005/02/16 A	QUALITY SYMBOLS ▽=0 C=0	GENERAL TOLERANCES (UNLESS SPECIFIED)		DIMENSION STYLE MM ONLY		SCALE NTS	DESIGN UNITS METRIC	THIRD ANGLE PROJECTION	
		4 PLACES ± --- ± ---	3 PLACES ± --- ± ---	2 PLACES ± 0.20 ± ---	1 PLACE ± --- ± ---	ANGULAR ± 3 °	DRAWN BY KHLIM	DATE 2004/01/12	TITLE SERIAL ATA BACKPLANE EXTENDED HEIGHT SIL SMT RECEPTACLE
		DRAFT WHERE APPLICABLE MUST REMAIN WITHIN DIMENSIONS		MATERIAL NO. 87781-1001	DOCUMENT NO. SD-87781-017	SHEET NO. 1 OF 4	APPROVED BY SKTOH	DATE 2005/02/04	MOLEX INCORPORATED
		THIS DRAWING CONTAINS INFORMATION THAT IS PROPRIETARY TO MOLEX INCORPORATED AND SHOULD NOT BE USED WITHOUT WRITTEN PERMISSION							

10 9 8 7 6 5 4 3 2 1



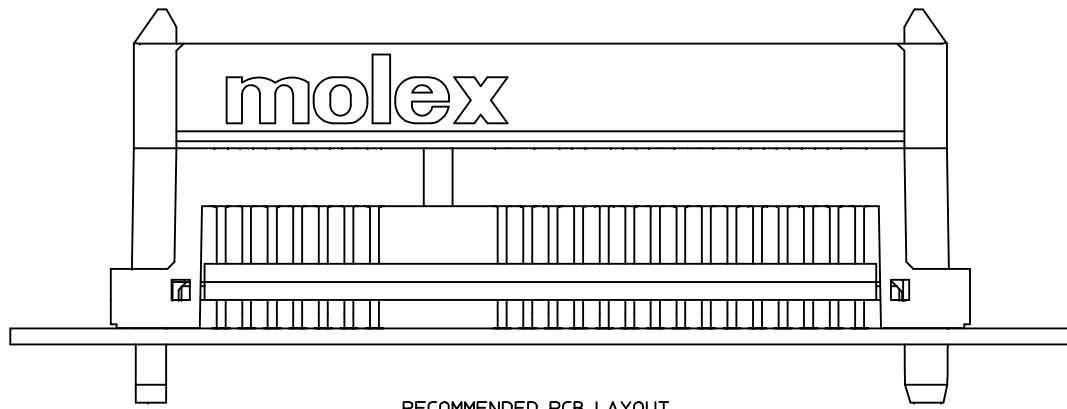
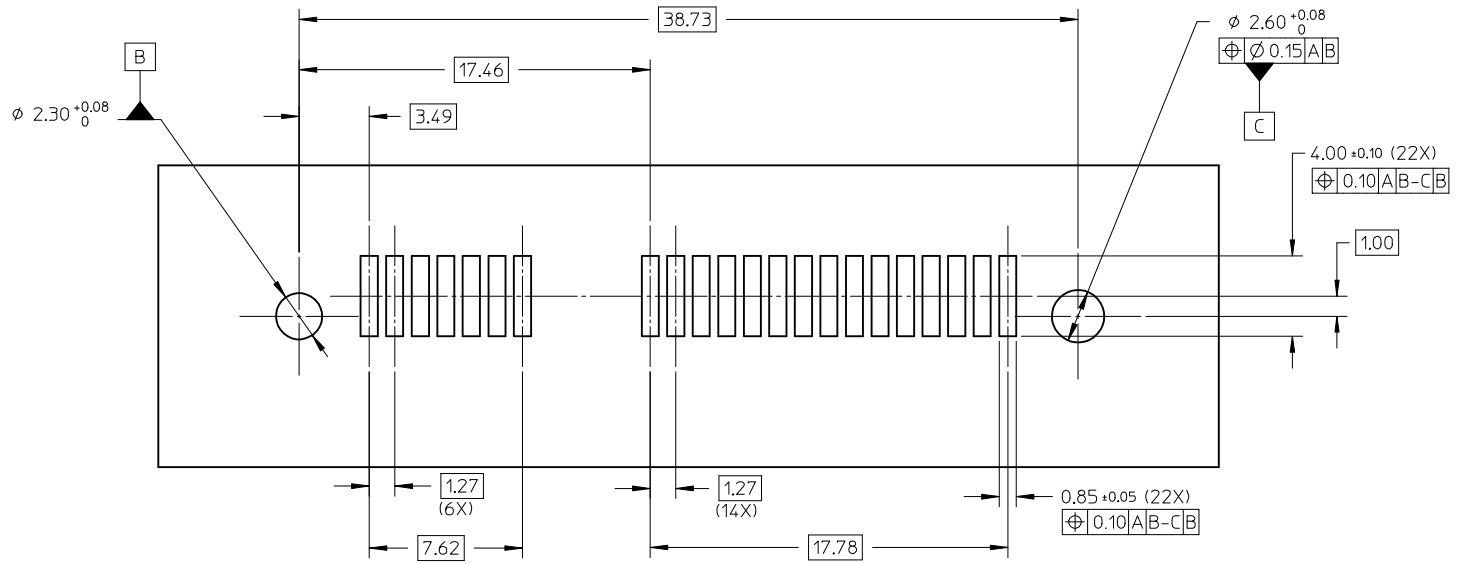
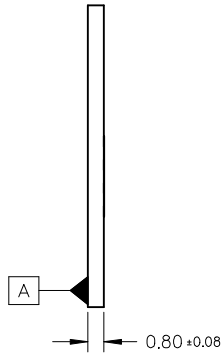
DETAIL 1



SECTION A-A

EC NO: S2005-0571 DRW:KHLIM 2005/02/05 CHKD:KCLING 2005/02/14 APPR:SKTOH 2005/02/16	QUALITY SYMBOLS ▽=0 ◻=0	GENERAL TOLERANCES (UNLESS SPECIFIED)		DIMENSION STYLE MM ONLY		SCALE NTS	DESIGN UNITS METRIC	THIRD ANGLE PROJECTION	
			mm	INCH	DRAWN BY	DATE	TITLE		
		4 PLACES	± ---	± ---	KHLIM	2004/01/12	SERIAL ATA BACKPLANE EXTENDED HEIGHT SIL SMT RECEPTACLE		
		3 PLACES	± ---	± ---	CHECKED BY	DATE			
2 PLACES	± 0.20	± ---	KCLING	2005/02/03	MOLEX INCORPORATED				
1 PLACE	± ---	± ---	APPROVED BY	DATE					
	ANGULAR ± 3 °		SKTOH	2005/02/04	MATERIAL NO. 87781-1001		DOCUMENT NO. SD-87781-017	SHEET NO. 2 OF 4	
DRAFT WHERE APPLICABLE MUST REMAIN WITHIN DIMENSIONS		SIZE A3		THIS DRAWING CONTAINS INFORMATION THAT IS PROPRIETARY TO MOLEX INCORPORATED AND SHOULD NOT BE USED WITHOUT WRITTEN PERMISSION					

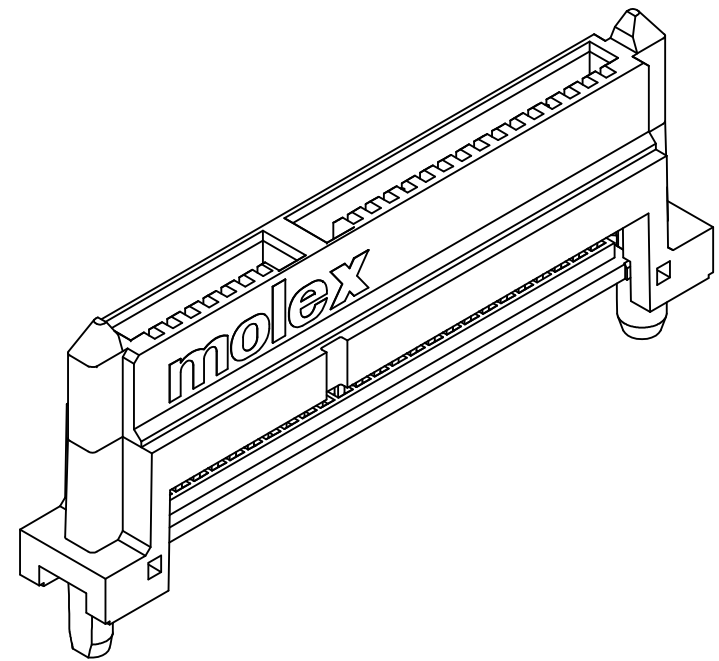
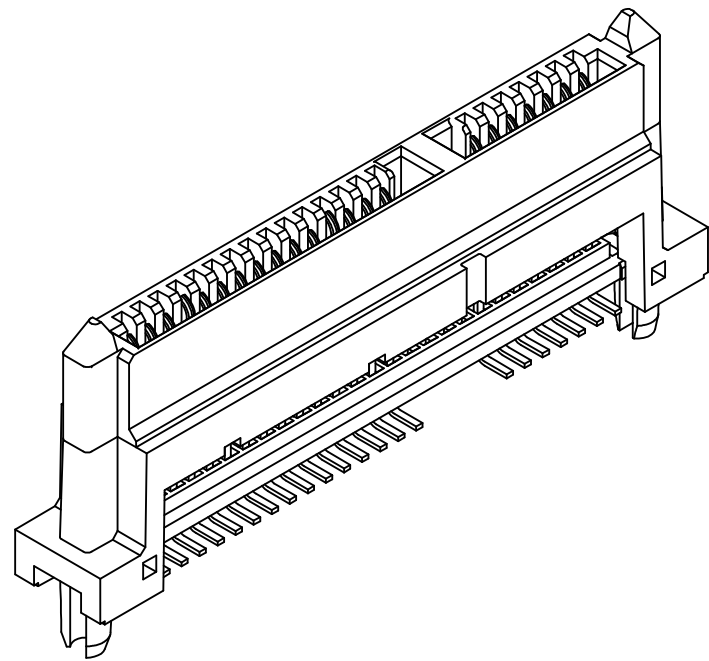
9 8 7 6 5 4 3 2 1



RECOMMENDED PCB LAYOUT

EC NO: S2005-0571 DRW:KHL IM 2005/02/05 CHK:KCL ING 2005/02/14 APPR:SKTOH 2005/02/16 REV A	QUALITY SYMBOLS ▽=0 ◻=0	GENERAL TOLERANCES (UNLESS SPECIFIED) <table border="1"> <thead> <tr> <th></th> <th>mm</th> <th>INCH</th> </tr> </thead> <tbody> <tr> <td>4 PLACES</td> <td>± ---</td> <td>± ---</td> </tr> <tr> <td>3 PLACES</td> <td>± ---</td> <td>± ---</td> </tr> <tr> <td>2 PLACES</td> <td>± 0.20</td> <td>± ---</td> </tr> <tr> <td>1 PLACE</td> <td>± ---</td> <td>± ---</td> </tr> </tbody> </table>		mm	INCH	4 PLACES	± ---	± ---	3 PLACES	± ---	± ---	2 PLACES	± 0.20	± ---	1 PLACE	± ---	± ---	DIMENSION STYLE <b>MM ONLY</b>	SCALE <b>NTS</b>	DESIGN UNITS <b>METRIC</b>	THIRD ANGLE PROJECTION
		mm	INCH																		
	4 PLACES	± ---	± ---																		
	3 PLACES	± ---	± ---																		
2 PLACES	± 0.20	± ---																			
1 PLACE	± ---	± ---																			
DESCRIPTION SERIAL ATA BACKPLANE EXTENDED HEIGHT SIL SMT RECEPTACLE	DRAWN BY KHL IM	DATE 2004/01/12	TITLE																		
DRAFT WHERE APPLICABLE MUST REMAIN WITHIN DIMENSIONS	CHECKED BY KCL ING	DATE 2005/02/03	MOLEX INCORPORATED																		
MATERIAL NO. <b>87781-1001</b>	APPROVED BY SKTOH	DATE 2005/02/04	DOCUMENT NO. <b>SD-87781-017</b>	SHEET NO. <b>3 OF 4</b>																	

10 9 8 7 6 5 4 3 2 1



EC NO: S2005-0571 DRW:KHL IM 2005/02/05 CHK:D KCL ING 2005/02/14 APPR:SKTOH 2005/02/16 REV A	QUALITY SYMBOLS ▽=0 ◻=0	GENERAL TOLERANCES (UNLESS SPECIFIED) <table border="1"> <thead> <tr> <th></th> <th>mm</th> <th>INCH</th> </tr> </thead> <tbody> <tr> <td>4 PLACES</td> <td>± ---</td> <td>± ---</td> </tr> <tr> <td>3 PLACES</td> <td>± ---</td> <td>± ---</td> </tr> <tr> <td>2 PLACES</td> <td>± 0.20</td> <td>± ---</td> </tr> <tr> <td>1 PLACE</td> <td>± ---</td> <td>± ---</td> </tr> </tbody> </table>		mm	INCH	4 PLACES	± ---	± ---	3 PLACES	± ---	± ---	2 PLACES	± 0.20	± ---	1 PLACE	± ---	± ---	DIMENSION STYLE MM ONLY	SCALE NTS	DESIGN UNITS METRIC	THIRD ANGLE PROJECTION
		mm	INCH																		
	4 PLACES	± ---	± ---																		
	3 PLACES	± ---	± ---																		
2 PLACES	± 0.20	± ---																			
1 PLACE	± ---	± ---																			
DESCRIPTION SKTOH	DRAWN BY KHL IM	DATE 2004/01/12	TITLE SERIAL ATA BACKPLANE EXTENDED HEIGHT SIL SMT RECEPTACLE																		
DRAFT WHERE APPLICABLE MUST REMAIN WITHIN DIMENSIONS	CHECKED BY KCL ING	DATE 2005/02/03	MOLEX INCORPORATED																		
	APPROVED BY SKTOH	DATE 2005/02/04	MATERIAL NO. 87781-1001	DOCUMENT NO. SD-87781-017	SHEET NO. 4 OF 4																

9 8 7 6 5 4 3 2 1