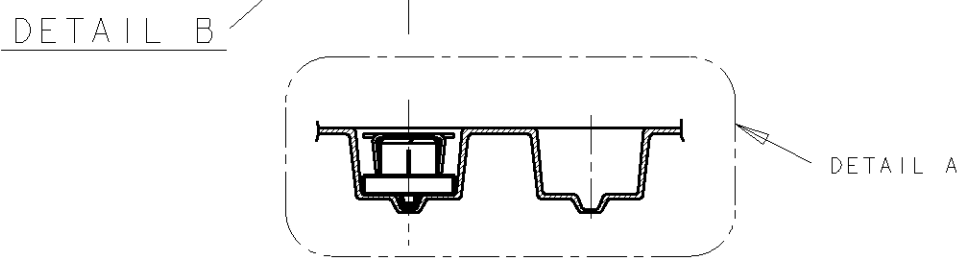
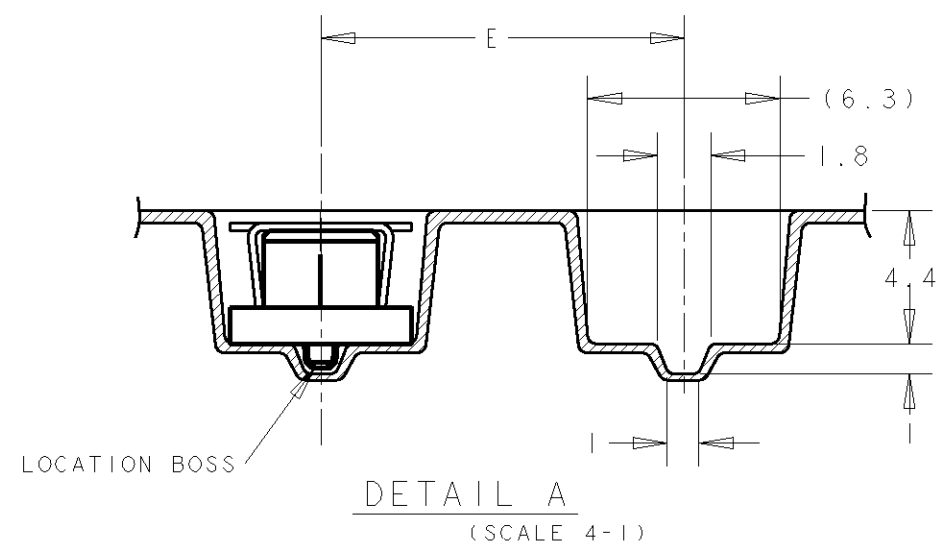
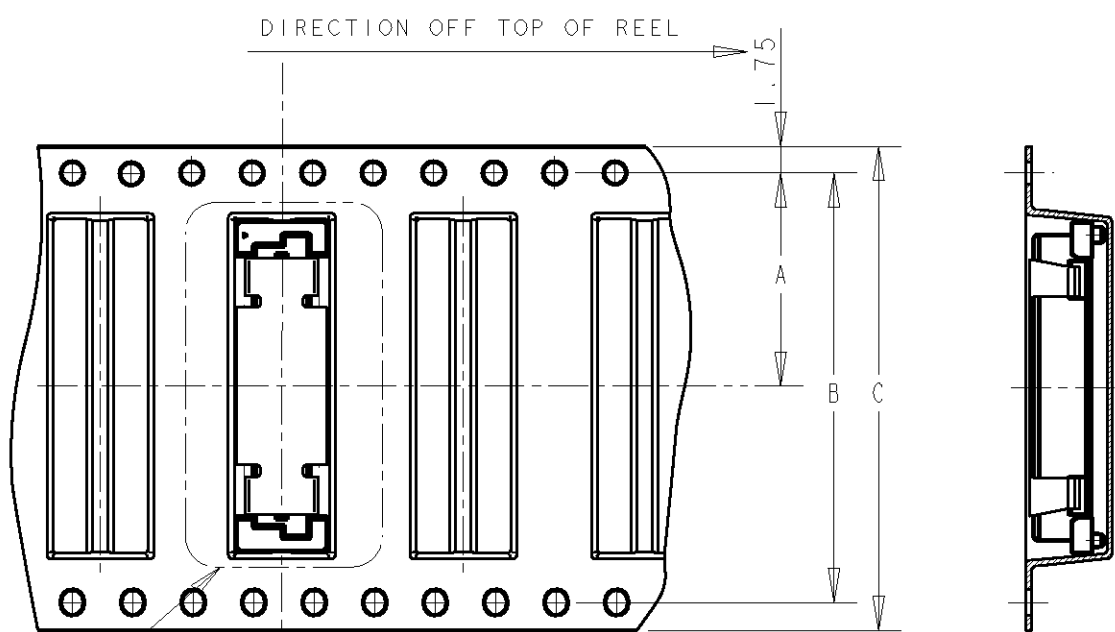
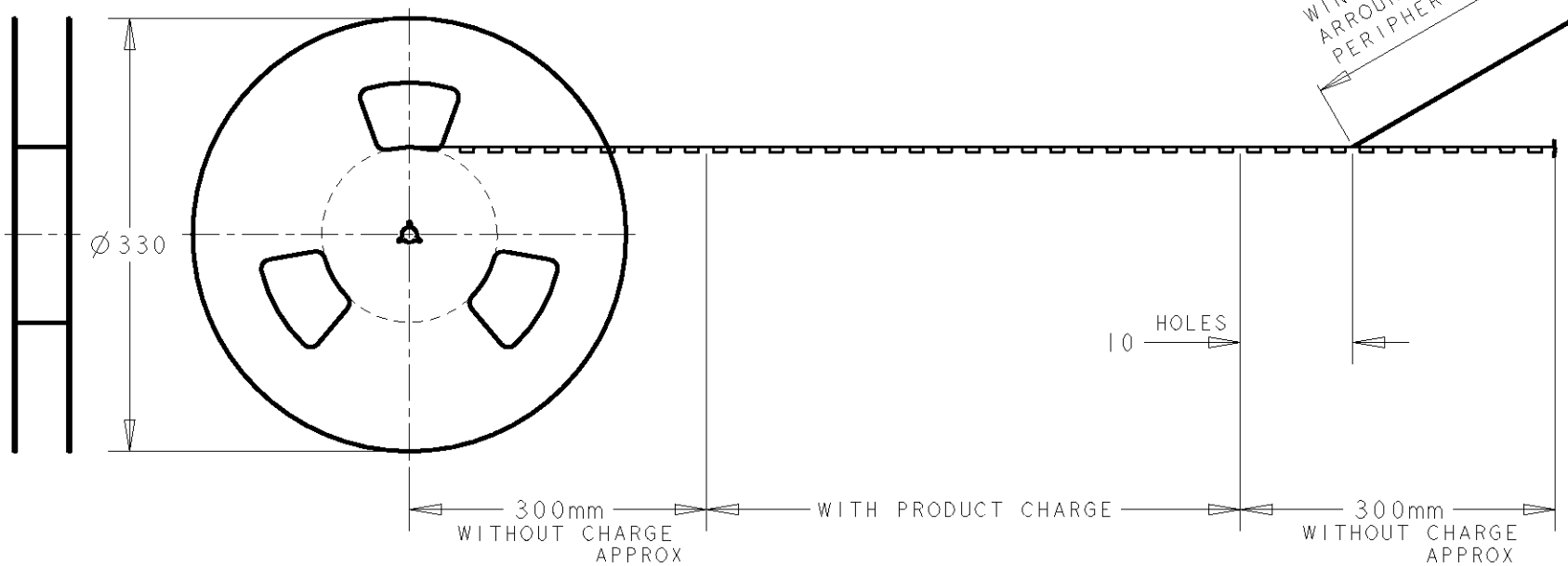


THIS DRAWING IS UNPUBLISHED. RELEASED FOR PUBLICATION .19  
 © COPYRIGHT 19 BY AMP INCORPORATED. ALL RIGHTS RESERVED.

| LOC | DIST | REVISIONS          |        |     |      |  |
|-----|------|--------------------|--------|-----|------|--|
| P   | LTR  | DESCRIPTION        | DATE   | DWN | APVD |  |
| DY  | -    | 0 NPR FP00-0274-04 | 2NOV04 | LWY | VT   |  |



WINDING THE COVER TAPE AROUND THE OUTER PERIPHERY IN A TURN.



| NOT AVAILABLE  |      |    | 61.8 |    |      |      | 140 | -6        | -6        |
|----------------|------|----|------|----|------|------|-----|-----------|-----------|
| AVAILABLE      |      |    | 53.8 |    |      |      | 120 | -5        | -5        |
| NOT AVAILABLE  | 700  | 16 | 45.8 | 72 | 68.4 | 34.2 | 100 | -4        | -4        |
|                |      |    | 37.8 | 56 | 52.4 | 26.2 | 80  | -3        | -3        |
|                |      |    | 29.8 | 44 | 40.4 | 20.2 | 60  | -2        | -2        |
| AVAILABLE      | 1000 | 12 | 21.8 | 32 | 28.4 | 14.2 | 40  | 5177983-1 | 5179488-1 |
| TOOLING STATUS | QTY  | E  | D    | C  | B    | A    | POS | CONN P/N  | PART NO.  |

NOTE:  
 1. THIS PRODUCT WAS COATED BY FLUX-PENTRATION -INHIDTING AGENT.

|  |   |  |  |
|--|---|--|--|
| <small>THIS DRAWING IS A CONTROLLED DOCUMENT FOR AMP INCORPORATED. IT IS SUBJECT TO CHANGE AND THE CONTROLLING ENGINEERING ORGANIZATION SHOULD BE CONTACTED FOR THE LATEST REVISION.</small> |   | DWN WYLEE 2NOV04<br>CHK VINCENT TAN<br>APVD ERIC TNG<br>PRODUCT SPEC -<br>APPLICATION SPEC -<br>WEIGHT - | <b>tyco</b> Tyco Electronics<br><b>Electronics</b> Singapore Pte. Ltd. |
| DIMENSIONS: mm<br>   | TOLERANCES UNLESS OTHERWISE SPECIFIED:<br>0 PLC ±-<br>1 PLC ±0.2<br>2 PLC ±0.25<br>3 PLC ±0.3<br>4 PLC ±-<br>ANGLES ±3° | NAME RECEPTACLE ASSEMBLY 5H TYPE (0.5 BOSS LENGTH) FOR FH 0.8B-T-B CONN, ON TAPING                       |  |
| MATERIAL -   | FINISH -  | SIZE A3  | CAGE CODE 00779  |
| CUSTOMER DRAWING   |   | DRAWING NO C-5179488   | SCALE 2:1 SHEET 1 OF 1 REV 0   |