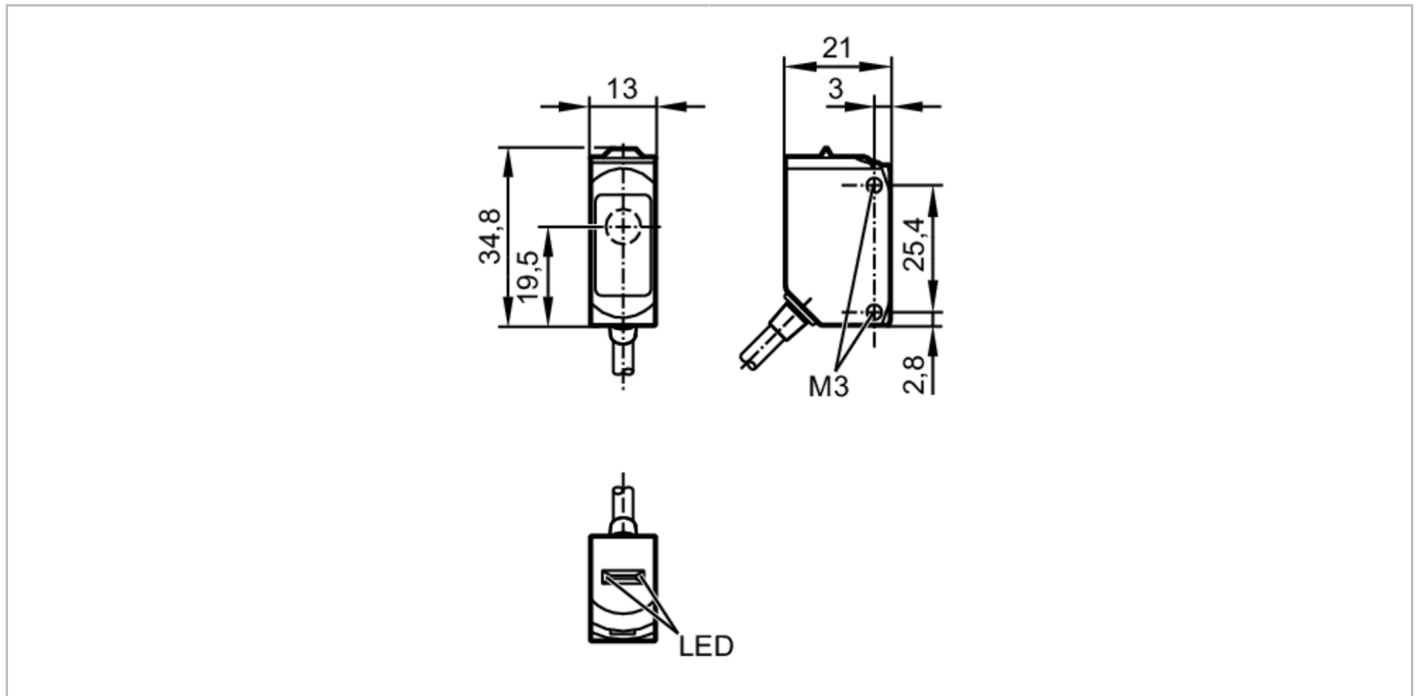


O6S301



Through-beam sensor transmitter

O6S-OOKG/0,30m/US



| Product characteristics | |
|--------------------------------|-----------------------------|
| Type of light | red light |
| Housing | rectangular |
| Application | |
| Function principle | Through-beam sensor |
| Electrical data | |
| Operating voltage [V] | 10...30 DC |
| Current consumption [mA] | 11; ((24 V)) |
| Protection class | III |
| Type of light | red light |
| Wave length [nm] | 633 |
| Detection zone | |
| Transmitter / receiver | transmitter |
| Range [m] | < 10 |
| Max. light spot diameter [mm] | 300 |
| Light spot dimensions refer to | at maximum range |
| Operating conditions | |
| Ambient temperature [°C] | -25...80 |
| Protection | IP 65; IP 67; IP 68; IP 69K |
| Tests / approvals | |
| EMC | EN 60947-5-2 |
| MTTF [years] | 2600 |
| UL approval | UL Approval no. E005 |

O6S301



Through-beam sensor transmitter

O6S-OOKG/0,30m/US

Mechanical data

| | | |
|-------------------|------|---|
| Weight | [g] | 50.5 |
| Housing | | rectangular |
| Materials | | housing: stainless steel (1.4404 / 316L); plastics: PPSU; Sealing: EPDM |
| Lens material | | PMMA |
| Lens alignment | | side lens |
| Tightening torque | [Nm] | 1; (screws) |

Displays / operating elements

| | | |
|---------|-----------|----------------|
| Display | operation | 1 x LED, green |
|---------|-----------|----------------|

Remarks

| | | |
|---------------|---|--|
| Remarks | operating voltage "supply class 2" according to cULus | |
| Pack quantity | 1 pcs. | |

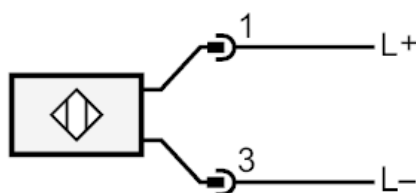
Electrical connection

Cable: 0.3 m, PVC; 2 x 0.25 mm²

Connector: 1 x M12; coding: A



Connection



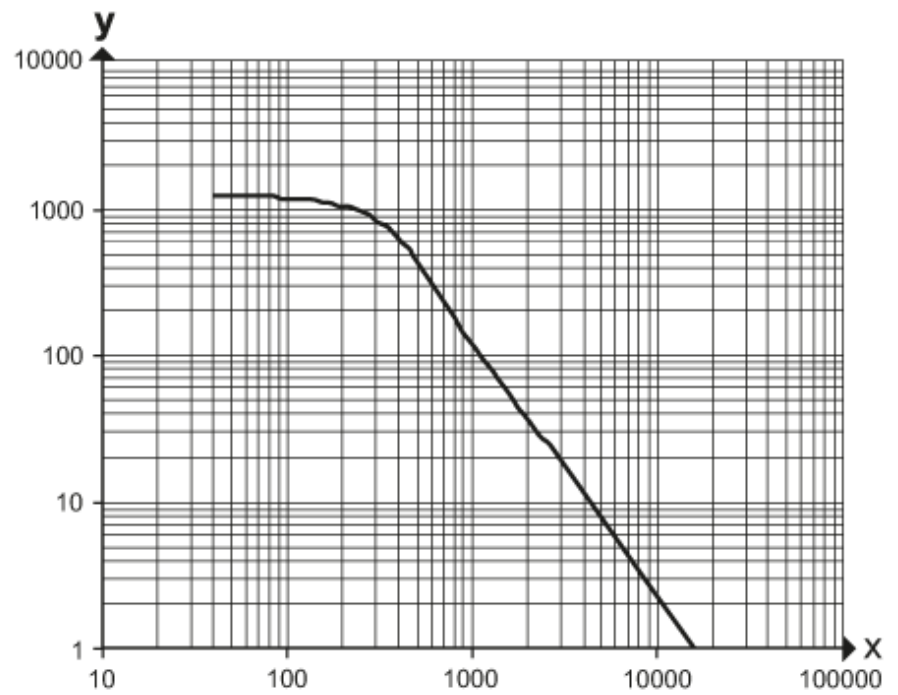


Through-beam sensor transmitter

O6S-OOKG/0,30m/US

Diagrams and graphs

excess gain graph



x: distance [mm]

y: excess gain factor