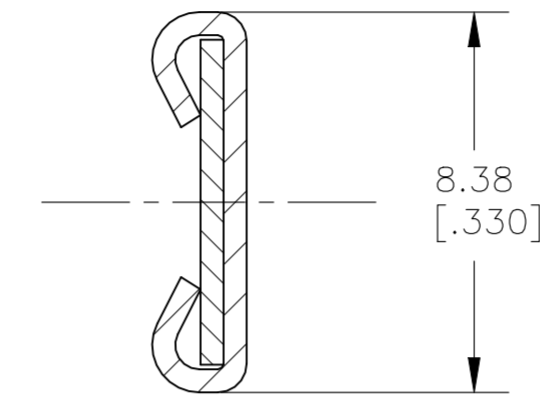
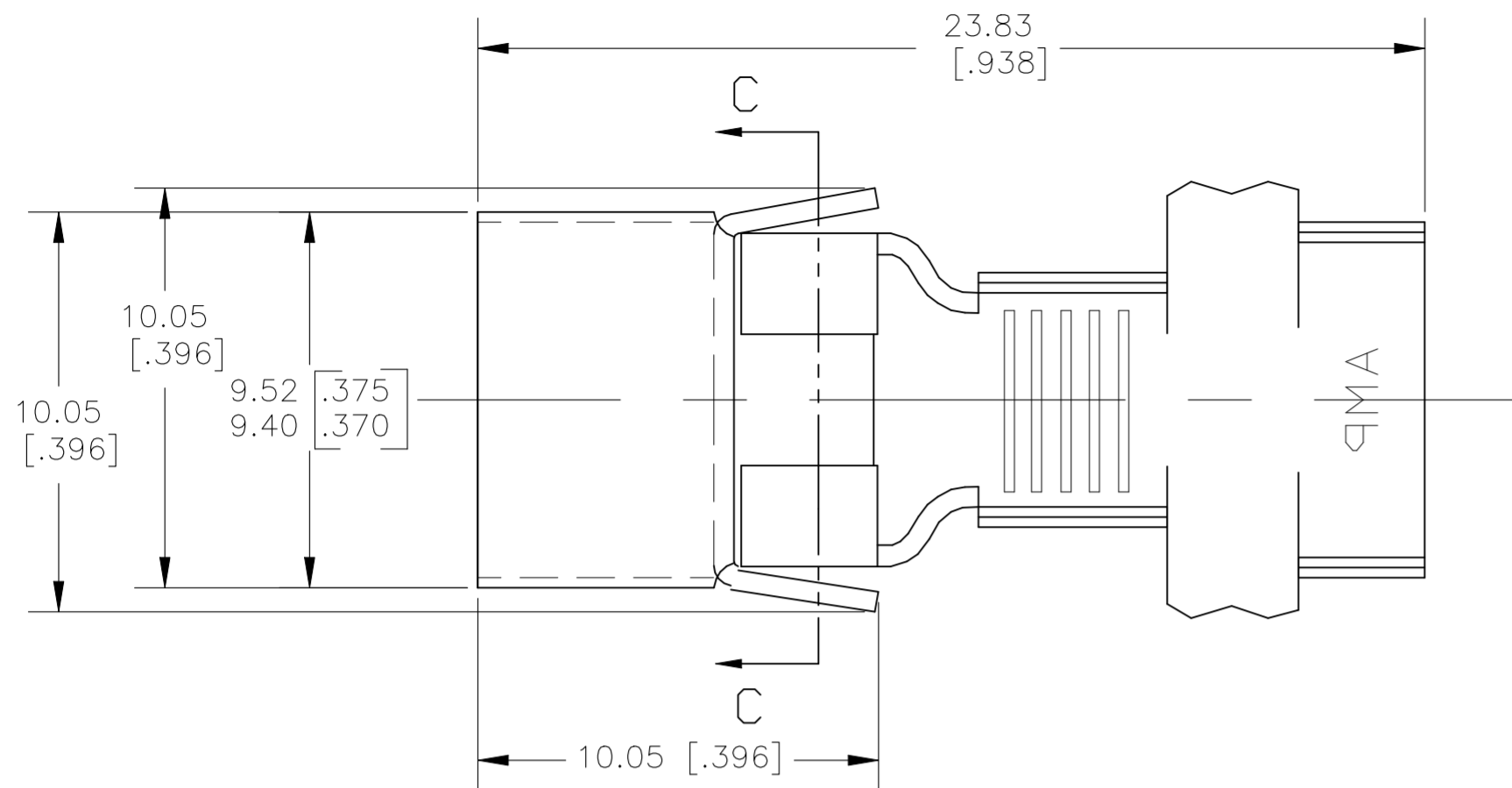


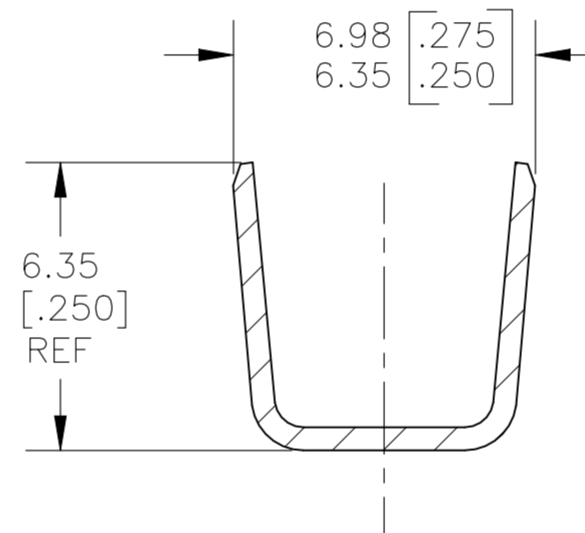
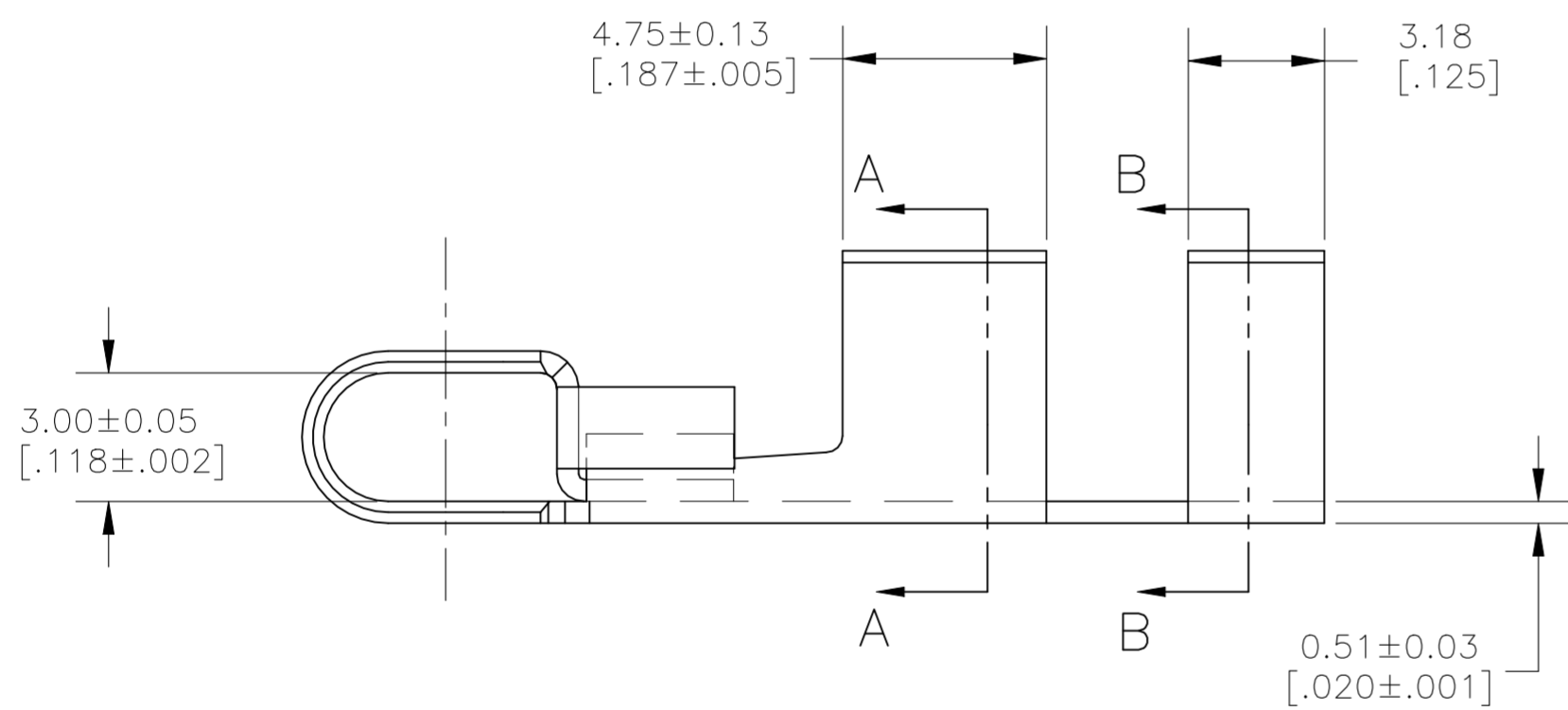
THIS DRAWING IS UNPUBLISHED. RELEASED FOR PUBLICATION  
 © COPYRIGHT - By - ALL RIGHTS RESERVED.

LOC	DIST	REVISIONS					
AF	50	P	LTR	DESCRIPTION	DATE	DWN	APVD
			D7	REVISED PER ECR-22-137849	05MAY2022	PC	KR

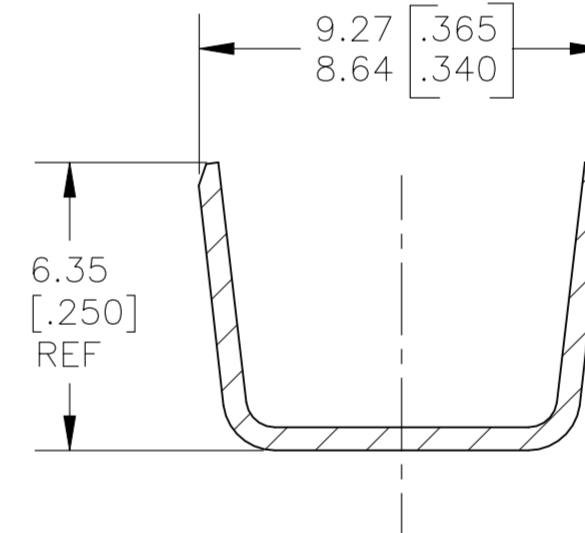


SECTION C-C

- 1 PRODUCT PROVIDED ON 19.56 [.770] CENTERS, IN STRIP FORM ON REELS. BREAKS MAY BE PRESENT.
- 2 WIRE SIZES [#14-#8 AWG] 2.08mm<sup>2</sup>-8.35mm<sup>2</sup>, STRANDED.
- 3 INSULATION RANGE 1.90-4.32 [.075-.170] DIA
- 4 EXTENDED QUANTITY PACKAGING
- 5 PRELIMINARY - NOT FOR PRODUCTION.



SECTION A-A



SECTION B-B

STANDARD	POST TIN	H02 CuNiSi ALLOY	5	1742539-5
4	POST TIN	H02 CuFeP ALLOY		1-1742539-3
STANDARD	POST TIN	TMOS CuNiSi ALLOY	5	1742539-4
STANDARD	POST TIN	H02 CuFeP ALLOY		1742539-3
SUPERSEDED BY 1742539-3	PRE-TIN	H02 CuFe ALLOY		1742539-2
OBSOLETE	POST TIN	H03 CuSnZn ALLOY		1742539-1
	Finish	Material		Part Number

THIS DRAWING IS A CONTROLLED DOCUMENT.

DWN	01FEB07	 TE Connectivity			
CHK	01FEB07				
APVD	01FEB07				
NAME	GARY PORTA				
DIMENSIONS:	TOLERANCES UNLESS OTHERWISE SPECIFIED:	PRODUCT SPEC			
MM[INCHES]	0 PLC ± -	108-2388			
	1 PLC ± -	APPLICATION SPEC			
	2 PLC ± 0.25 [.010]	114-13244			
	3 PLC ± -	SIZE	CAGE CODE	DRAWING NO	RESTRICTED TO
	4 PLC ± -	A2	00779	C=1742539	-
	ANGLES ± 1°	WEIGHT	SCALE	SHEET	REV
MATERIAL	FINISH	-	6:1	1 OF 1	D7
SEE TABLE	SEE TABLE	CUSTOMER DRAWING			