

RP655

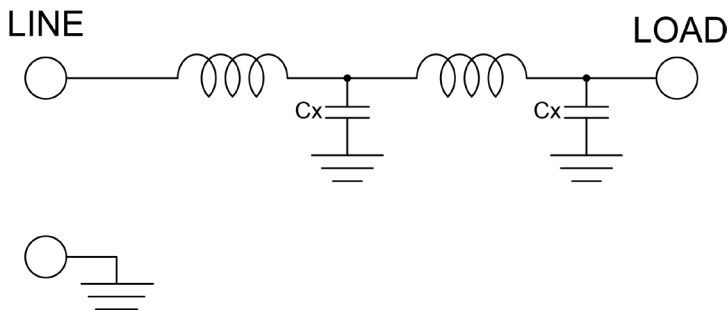
HIGH PERFORMANCE SINGLE LINE DUAL STAGE DC POWER LINE FILTER

FEATURES

- » Rated currents include **3A, 6A, 10A, and 20A**
- » Single Stage Line Filter
- » Available with **QD** (tabs), **W** (wires), and **S** (studs) option
- » High Performance Design
- » Agency Approved to UL1283 / 60929, CSA C22.2, EN 60939
- » Y-cap value can be adjusted to fit specification



ELECTRICAL SCHEMATIC



SPECIFICATIONS

MAX. OPERATING VOLTAGE	250V +10%
AMBIENT TEMPERATURE	-25 TO 55°C
CLIMATIC CATEGORY	25/100/21
TERMINALS (-T)	QD TABS: 0.25" WIRE LEADS STUDS 3-20A (M4)
TYP. WEIGHT, LBS (KG)	0.7 (0.3)

HIPOT RATINGS

LINE TO GROUND	1800 VDC
----------------	----------

TYPICAL APPLICATIONS

- ✓ Grounded return systems
- ✓ Mobile system
- ✓ MIL ground vehicles

HOW TO ORDER

RP655- X - Y - Z



NOTE: USE ANY COMBINATION OF -X (AMPS) WITH ANY -Y RATINGS

E.G. **RP655-10-100-QD** (10AMPS WITH 100 NF YCAP)

For **X**, **Y**, and **Z** options see product specification table.

RP655

HIGH PERFORMANCE SINGLE LINE DUAL STAGE DC POWER LINE FILTER

MODEL NO.	RATED CURRENT, A @ 40° C	Y-CAP, nF	TERMINAL OPTIONS			MAX. DIMENSIONS" (MM)		
			(QD) INPUT/ OUTPUT	(W) INPUT/ OUTPUT	(S) INPUT/ OUTPUT	WIDTH	(LENGTH)	HEIGHT
RP655-3-10-QD	3	10	✓			2.20"(56)	4.46"(113)	1.77"(45)
RP655-3-10-S	3	10			✓	*	*	*
RP655-3-10-W	3	10		✓		*	*	*
RP655-3-100-QD	3	100	✓			2.20"(56)	4.46"(113)	1.77"(45)
RP655-3-100-S	3	100			✓	*	*	*
RP655-3-100-W	3	100		✓		*	*	*
RP655-3-1000-QD	3	1000	✓			2.20"(56)	4.46"(113)	1.77"(45)
RP655-3-1000-S	3	1000			✓	*	*	*
RP655-3-1000-W	3	1000		✓		*	*	*
RP655-6-10-QD	6	10	✓			2.20"(56)	4.46"(113)	1.77"(45)
RP655-6-10-S	6	10			✓	*	*	*
RP655-6-10-W	6	10		✓		*	*	*
RP655-6-100-QD	6	100	✓			2.20"(56)	4.46"(113)	1.77"(45)
RP655-6-100-S	6	100			✓	*	*	*
RP655-6-100-W	6	100		✓		*	*	*
RP655-6-1000-QD	6	1000	✓			2.20"(56)	4.46"(113)	1.77"(45)
RP655-6-1000-S	6	1000			✓	*	*	*
RP655-6-1000-W	6	1000		✓		*	*	*
RP655-10-10-QD	10	10	✓			2.20"(56)	4.46"(113)	1.77"(45)
RP655-10-10-S	10	10			✓	*	*	*
RP655-10-10-W	10	10		✓		*	*	*
RP655-10-100-QD	10	100	✓			2.20"(56)	4.46"(113)	1.77"(45)
RP655-10-100-S	10	100			✓	*	*	*
RP655-10-100-W	10	100		✓		*	*	*
RP655-10-1000-QD	10	1000	✓			2.20"(56)	4.46"(113)	1.77"(45)
RP655-10-1000-S	10	1000			✓	*	*	*
RP655-10-1000-W	10	1000		✓		*	*	*
RP655-20-10-QD	20	10	✓			2.20"(56)	4.46"(113)	1.77"(45)
RP655-20-10-S	20	10			✓	*	*	*
RP655-20-10-W	20	10		✓		*	*	*
RP655-20-100-QD	20	100	✓			2.20"(56)	4.46"(113)	1.77"(45)
RP655-20-100-S	20	100			✓	*	*	*
RP655-20-100-W	20	100		✓		*	*	*
RP655-20-1000-QD	20	1000	✓			2.20"(56)	4.46"(113)	1.77"(45)

ADDITIONAL MODEL NO. >>

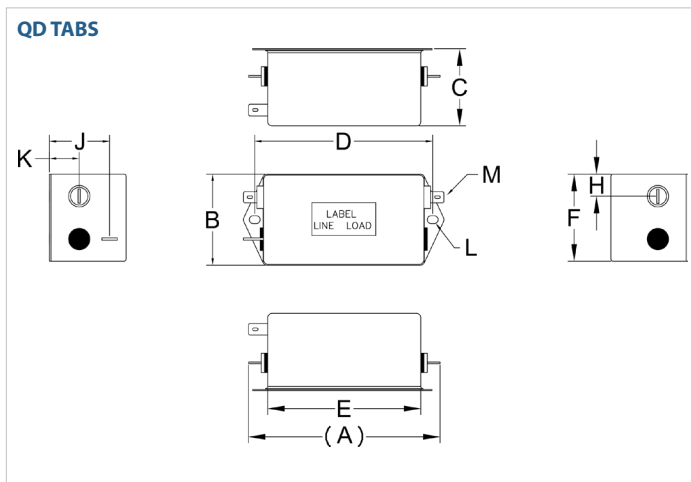
RP655

HIGH PERFORMANCE SINGLE LINE DUAL STAGE DC POWER LINE FILTER

MODEL NO.	RATED CURRENT, A @ 40° C	Y-CAP, nF	TERMINAL OPTIONS			MAX. DIMENSIONS" (MM)		
			(QD) INPUT/OUTPUT	(W) INPUT/OUTPUT	(S) INPUT/OUTPUT	WIDTH	(LENGTH)	HEIGHT
RP655-20-1000-S	20	1000			✓	*	*	*
RP655-20-1000-W	20	1000		✓		*	*	*

*Contact factory for dimensions.

RP655 MECHANICAL OUTLINES (MM)



SERIES	(A)	B	C	D	E	F	G	H	I	J	K	L	M
QD TABS	4.46" (113)	2.20" (56)	1.77" (45)	4.04" (103)	3.62" (92)	2.20" (56)	N/A	0.47" (12)	1.73" (44)	1.77" (45)	0.47" (12)	Ø0.25"x0.20", 2x (Ø, 6.35x5.30, 2x)	QD, 6.35x0.80, 3x

TYPICAL TOLERANCE: +/-0.02" (0.50MM)

RP655

HIGH PERFORMANCE SINGLE LINE DUAL STAGE DC POWER LINE FILTER

TYPICAL INSERTION LOSS, dB (50/50 Ohm)

Amps	Freq (MHz)	0.15	0.5	1.0	10	30
3	CM (dB)	25	42	60	60	40
	DM (dB)					
6	CM (dB)	22	40	60	60	38
	DM (dB)					
10	CM (dB)	18	38	45	45	35
	DM (dB)					
20	CM (dB)	15	35	40	40	25
	DM (dB)					