

4

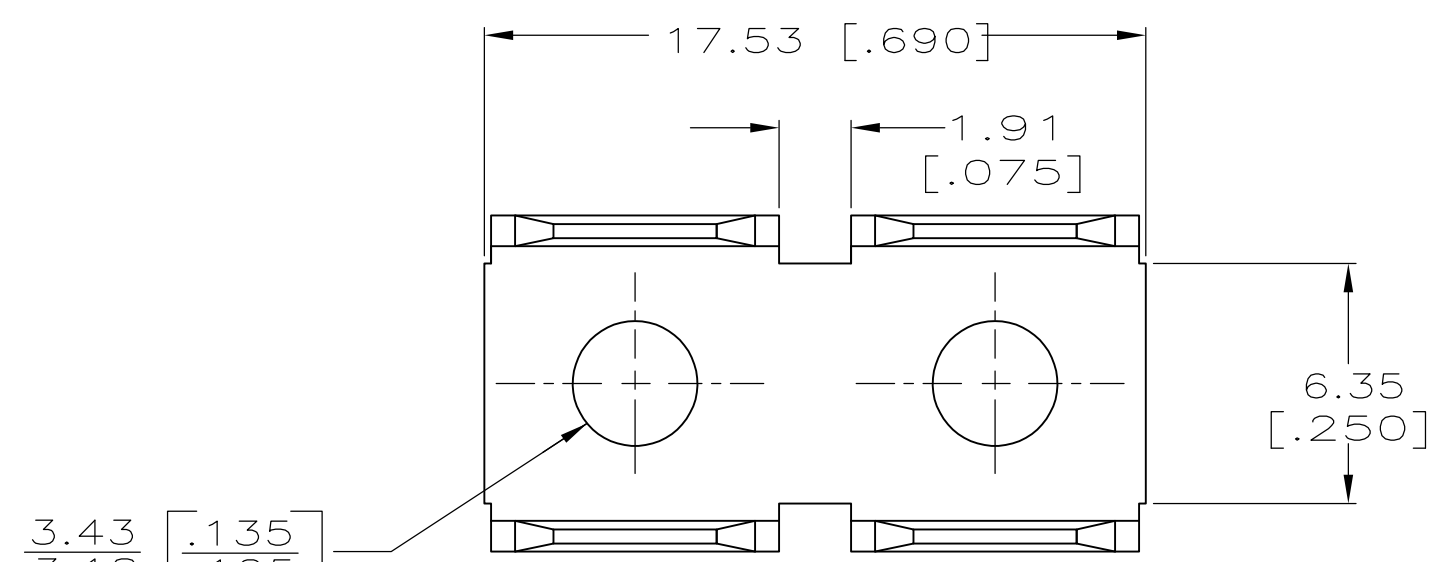
3

2

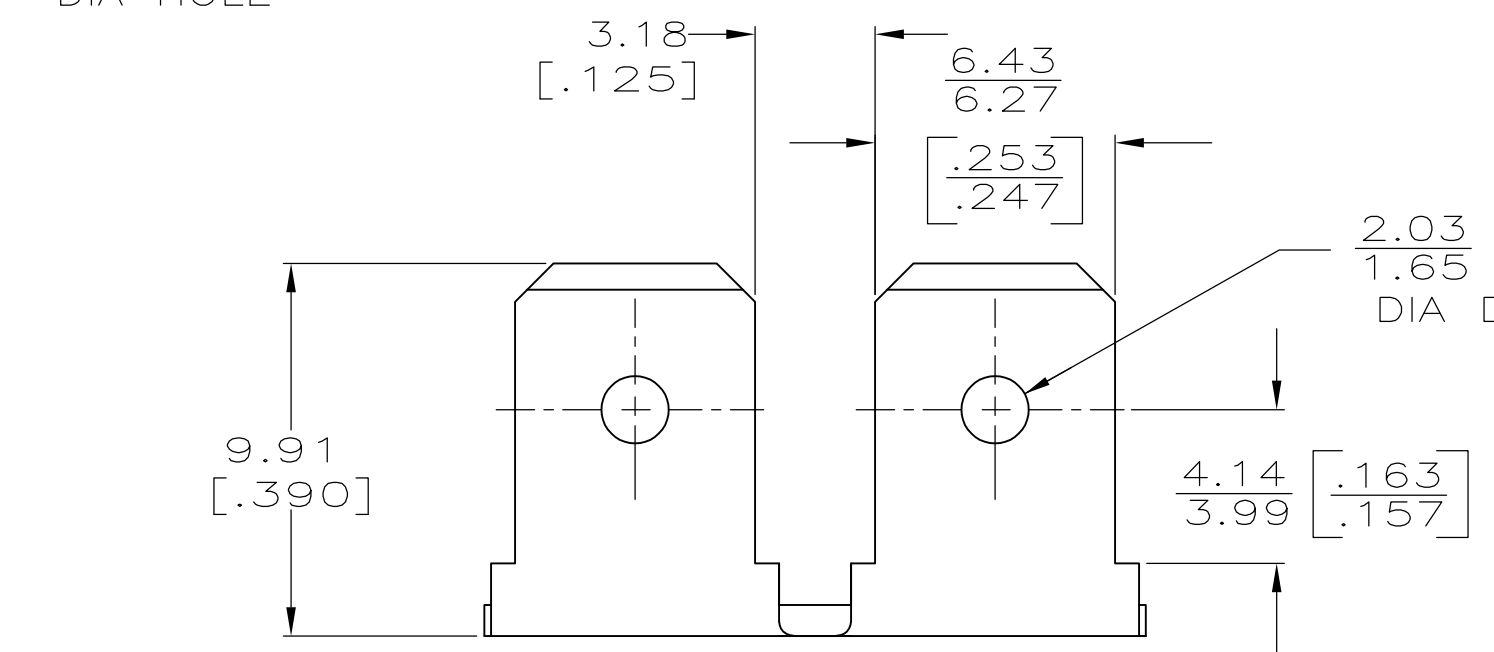
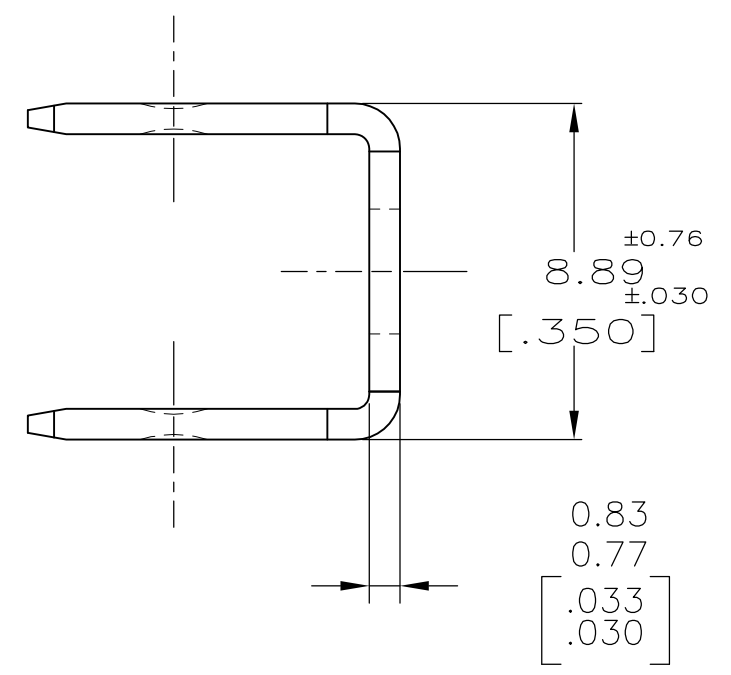
1

THIS DRAWING IS UNPUBLISHED. RELEASED FOR PUBLICATION
 © COPYRIGHT - By - ALL RIGHTS RESERVED.

LOC	DIST	REVISIONS					
AF	50	P	LTR	DESCRIPTION	DATE	DWN	APVD
		AG		REVISED PER ECR-13-011489	09DEC2013	KH	PD



1 SUPPLIED IN LOOSE PIECE.



41481
PART NO

THIS DRAWING IS A CONTROLLED DOCUMENT.		DWN	JR RUTH	12/2/91	TE Connectivity NAME TAB, FASTON, 6.35 [.250] SERIES			
DIMENSIONS: mm [INCHES]		CHK	MS FEHER	12/2/91				
		APVD	MEYERS	12/2/91				
TOLERANCES UNLESS OTHERWISE SPECIFIED: 0 PLC ± - 1 PLC ± - 2 PLC ± - 3 PLC ± 0.38 [.015] 4 PLC ± - ANGLES ± -		PRODUCT SPEC	-					
MATERIAL	BRASS	FINISH	TIN	APPLICATION SPEC	SIZE	CAGE CODE	DRAWING NO	RESTRICTED TO
				WEIGHT	A3 00779		C-41481	-
				CUSTOMER DRAWING	SCALE	5:1	SHEET	1 OF 1
							REV	AG